

Project:	
Date:	
Note:	

LED SHOE BOX GL01 SERIES



DESCRIPTION

- This slick and modern luminaire has been designed to handle any environment. With a beautiful slimline design along with one of the highest lumen performance on the market, this versatile fixture can be used as a flood light or an area light. Including a multitude of mounting options, surge protection devices, IOT photocell capability, and the most technologically advanced LED's on the market, the shoe box is ready to conquer the lighting landscape.

APPLICATIONS

- Street & Tunnel
- Park
- Gas Station
- Parking
- Industrial Site

SPECIFICATIONS		GL01-150W-40K-PDN-A	GL01-150W-50K-PDN-A
Ordering	Brand	Builders Pack	Builders Pack
	SKU	31-67030-40	31-67030-50
Photometric	Color Temp. [CCT]	4000K	5000K
	Lumens [lm]	17785.8 lm	17785.8 lm
	Efficacy [lm/W]	120.66 lm/W	120.66 lm/W
	SDCM	≤6	
	Render Index [Ra]	≥80	
	R9	≥0	
	Duv	≤0.006	
	Beam Angle	120°	
Electrical	Rated Voltage	AC 120-277V	
	Frequency	50/60Hz	
	Lamp Wattage	150W	
	Lamp Current	1.5A	
	Power Factor	≥0.9	
Lifetime [at 120-227V]	L70 Lumen Maintenance Life [Hours]	≥50000	
	L90 Lumen Maintenance Life [Hours]	≥36000	
	Warranty [Years]	5	
Technical Requirements	Certifications	UL DLC FCC RoHS CE	
	THD	≤20%	
	Ripple Current	≤5%	
	Frequency of LED Current	≥120Hz	
	Flicker	No Flicker	

Project:	
Date:	
Note:	

SIMPLY RELIABLE

	Electrostatic Discharge [ESD]	4KV Contact discharge / 8KV Air discharge
	Surge Protection	10KV
	Dimming	0-10V
	Sensor	Option: Occupancy Sensor /Photocontrol
	Light-emitting Type	TYPE III
	Emergency Power	N/A
	Ingress Protection [IP]	IP65
	Noise	N/A
Operation and information	Start Time	≤1 S
	Operating Temp.	-22°F~+122°F
	Storage Temp.	-40°F~+185°F
	Housing/Case [Color, Material]	One Piece Die-cast Aluminum Body With Die-cast Hinge Panel
	Optical -Lens [Material]	PC
	Mounting / Installation	Pole Mount / Fixture Mount Gasket
Size/Weight	Environment	Outdoor / Suitable for wet location
	Product Size [LWH]	13" x 17.6" x 3.46"
	Product Net Weight	10.14 lbs
	Distribution Curve	
Shipping	Master Carton Size	20.75" x 16" x 7.25"
	Pcs / Carton	1pcs
	Gross Weight	12.35 lbs
	Pcs / Pallet	44pcs
	Pcs / 20' GP	672pcs (No Pallet) 440pcs (Palletized)
	Pcs / 40' GP	1344pcs (No Pallet) 880pcs (Palletized)
	Pcs / 40' HQ	1568pcs (No Pallet) 960pcs (Palletized)
	Pcs / 45' HQ	/











*Package specifications are subject to change without notice.

Project:	
Date:	
Note:	

LAMP CODE DEFINITIONS

Category	Wattage	CCT	DLC Degree	Dimmable	Sensor	Product Code
GL01 = SHOE BOX	150W	4000K 5000K	P = Premium	D = 0-10V	N = No Sensor	A

ACCESSORIES

SKU	Description	Image
31-67006-A	10KV Surge	
31-67007-A	Occupancy Sensor	
31-67011-A	Smal Yoke Trunnion	
31-67012-A	Adjustable Slip Fitter	
31-67013-A	Pole Mount	
31-67008-A	3-Pin Receptacle	
31-67009-A	5-Pin Receptacle	
31-67010-A	7-Pin Receptacle	
31-67014-A	TYPE 5 Optical Lenses	
31-67015-A	Photo Control	

Project:	
Date:	
Note:	

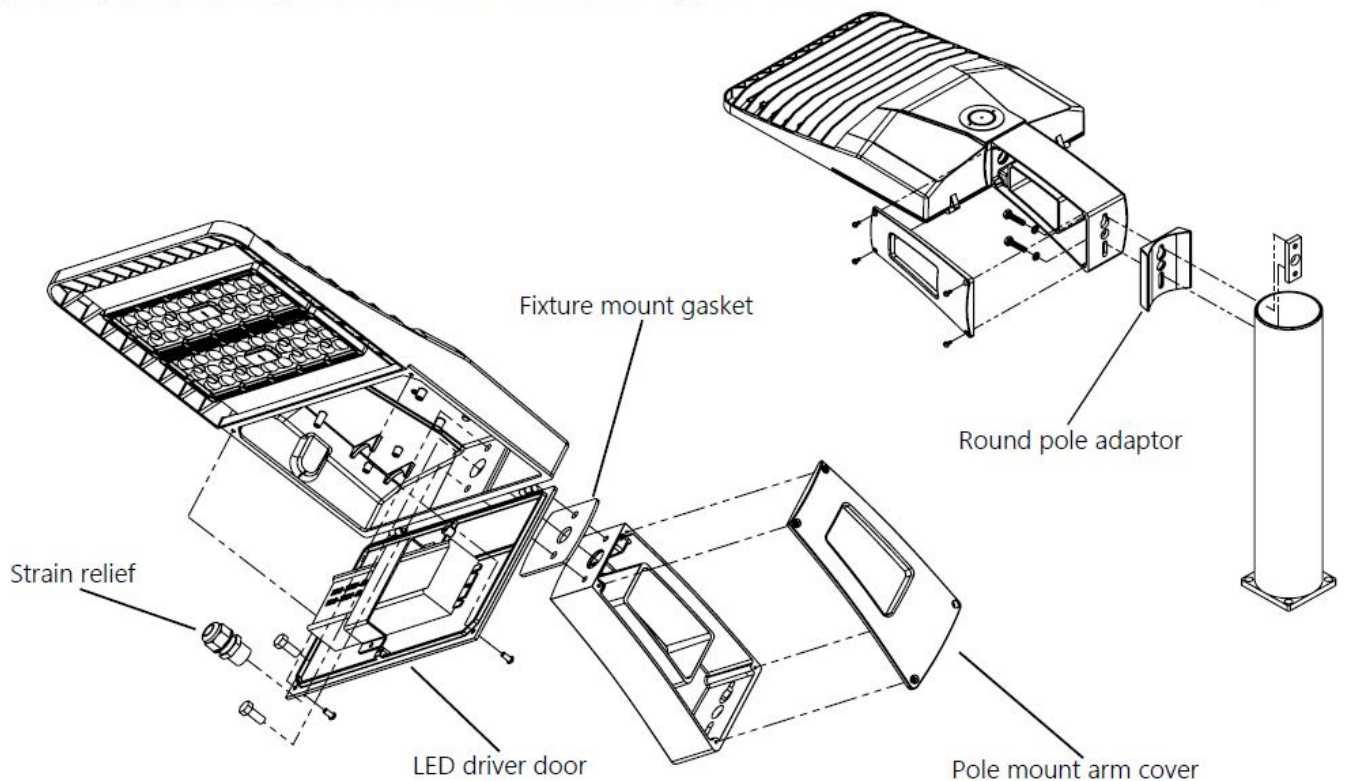
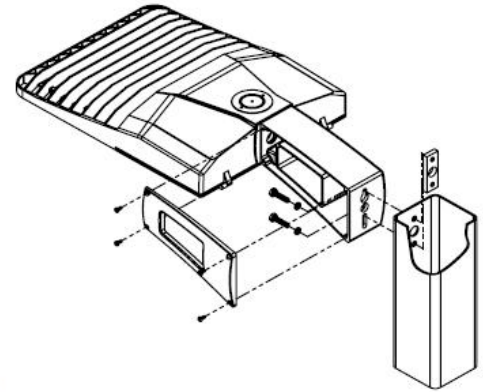
INSTALLATION DIAGRAM

Standard Wiring Diagram



Pole Mounting

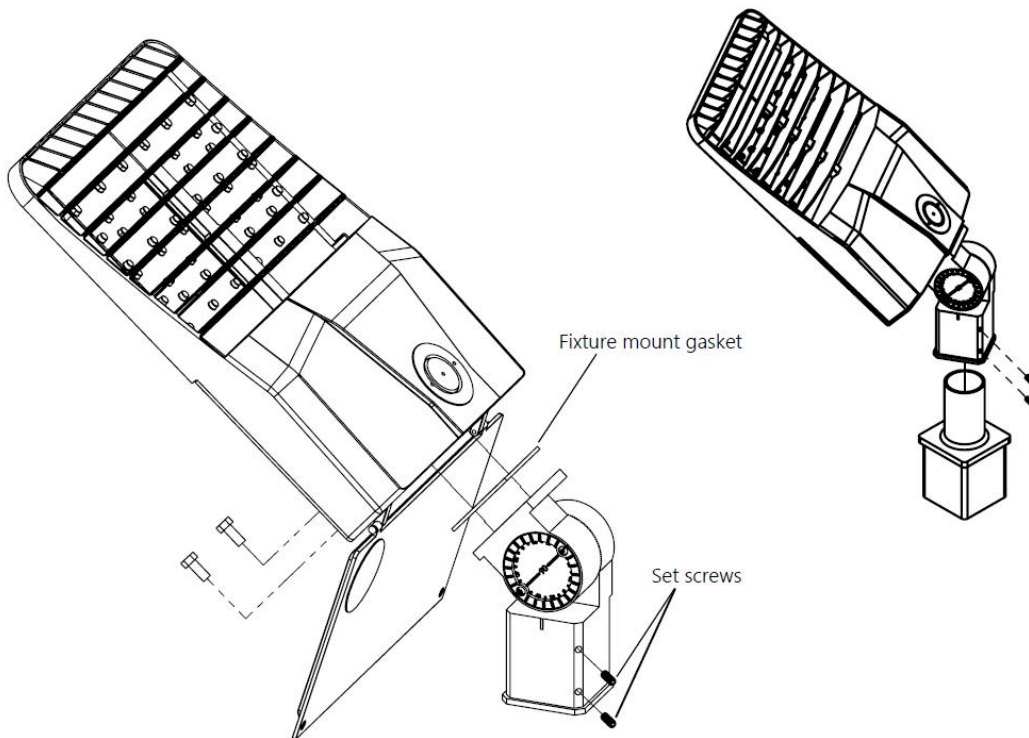
- Remove the pole mounting arm cover.
- Feed the included bolts, lock and flat washers through the mounting arm holes.
- Align with the holes in the pole and thread through the plate on the inside of the pole.
- Hand tighten the bolts to 20 lbf-in.
- Open the LED driver compartment from the underside of the fixture.
- Feed the included bolts, lock and flat washers through the inside of the driver compartment, fixture mount gasket, and attach the fixture to the pole mount.
- Feed the power cable through the strain relief and pole mount arm and connect the power leads with the included wire nuts according to the wiring diagram on Page 4. **Make sure the strain relief is installed correctly**
- Close the LED driver compartment door and secure it with the supplied screws
- Replace the pole mount arm gasket and attach the cover with the supplied screws



Project:	
Date:	
Note:	

Slip Fitter (Knuckle) Mounting

- Slide the slip fitter mount over the tenon bracket
- Ensure that the power cord is not pinched when feeding through the tenon mount
- Remove round slip fitter cover and loosen bolt to adjust tilt angle on fixture
- When desired angle is reached, tighten the center to lock the slip fitter in place. Replace cover
- Tighten the 2 set screws on the slip fitter to 15 ft-lbs to secure it to the tenon
- Wiring by "Standard Wiring Diagram"



Trunnion Mounting

- Drill holes in the mounting surface matching the pattern of the trunnion and bolt in place
- Rotate fixture until desired angle is achieved and tighten bolts on each side
- Route the cord into a junction box and make wiring connections shown below
Black to Black (Hot), White to White (Neutral), Green to Green (Ground)
- Ensure that the entry into the junction box is water tight with a bushing or other water sealing device

