

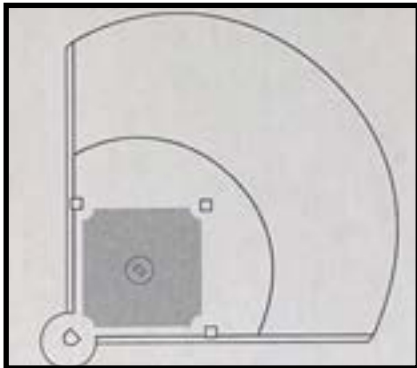
HAWKS

PRACTICE PLANNER

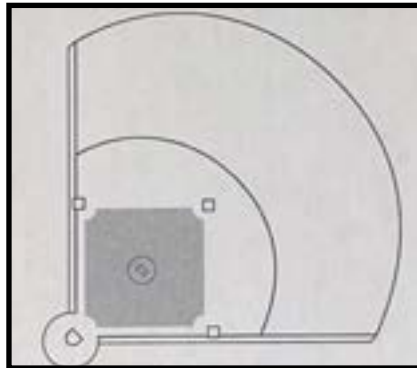
Team:

Date:

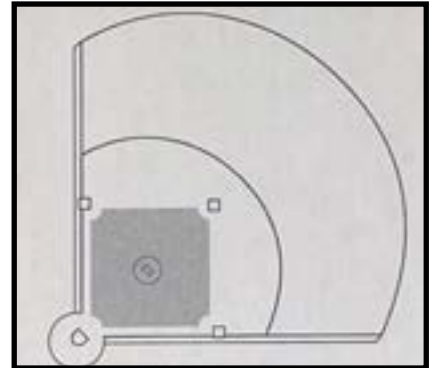
TIME	DRILL



Notes



Notes



Notes

Skill Goals

Miscellaneous

—
—
—

—
—
—