

Cupola Data
Overall Height = 17'
Base Width = 5'
Unit Weight = 575 lbs.

Optional Cupola Finials

36" Cross
8"Ø Sphere

36" Aluminum Spire
8"Ø Sphere

Weathervane selection at :
www.whitehallproducts.com

Optional Window Panels

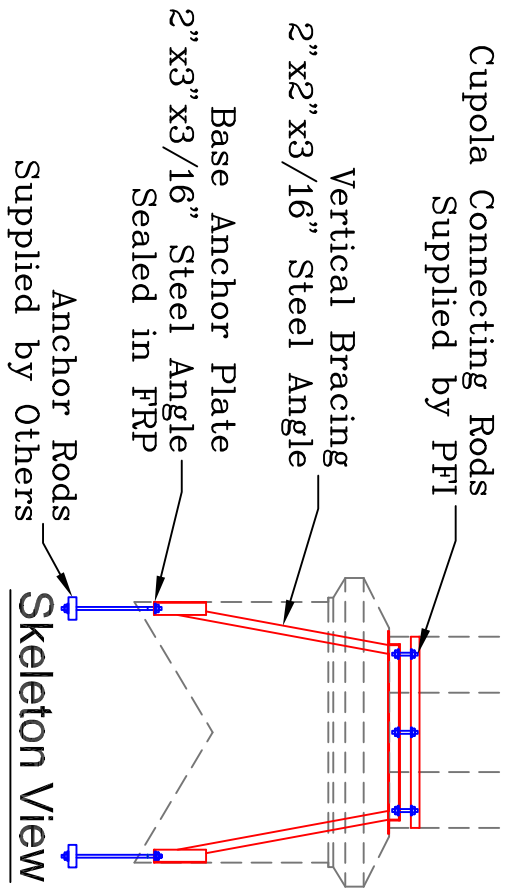
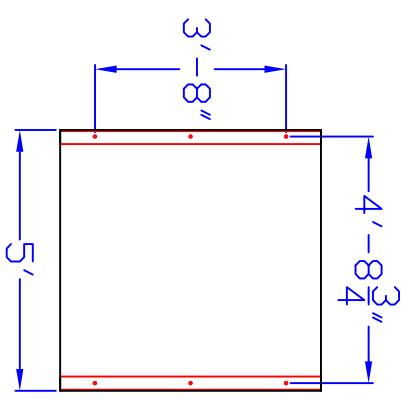
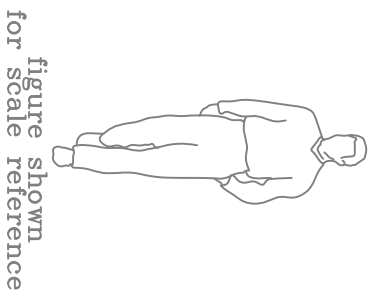
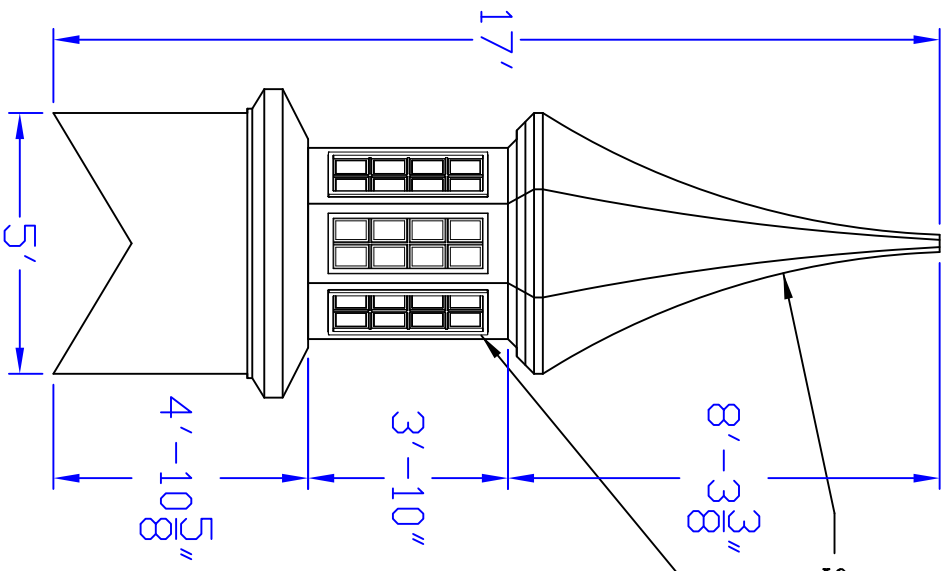
304 Keystone

311 Squared

306 Round Top

Note: Windows also available without panes.

Base Panels: 710-W Comes Standard With 8 K-Glass Windows. See Above for Optional Window Designs



Note: All drawings are the property of Piedmont Fiberglass Inc. Dimensions and designs may be altered slightly to accommodate manufacturing.



P.O. Box 1089
 Taylorsville, NC 28681
 Phone: 828-632-8883 Fax: 828-632-5585
 www.PiedmontFiberglass.com

CUPOLA

Model : **710-W**

Scale: **SCALE**
 Drawn by: **JEM**
 Created On **10/20/10**
 Updated On **11/5/10**