

STRUCTURAL DRAWINGS
GOLDSMITH NEW HOUSE
193, CULLEN ROAD
WAIPU

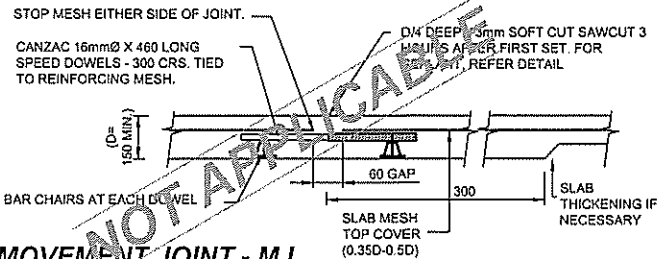
CONSTRUCTION OBSERVATION REQUIREMENTS		
COMPONENT	INSPECTION	REQUIRED
AUGERED RC PILES *	DEPTH, DIAMETER, SPACING, REINFORCING & COVER	NO
CONCRETE ENCASED TIMBER POLES (INCLUDING RETAINING WALLS) *	DEPTH, DIAMETER, SPACING	YES
DRIVEN STEEL PILES / TIMBER POLES	MEMBER SIZE, LENGTH, TARGET DEPTH, HAMMER, DROP, FINAL SET, DRIVING RECORD** (** TO BE SUPPLIED BY INSTALLER)	NO
RC FOOTINGS, PADS, FILE CAPS *	DEPTH, WIDTH, REINFORCING (INCLUDING STARTERS), COVER	YES
RCM FOUNDATION / RETAINING / SUPER-STRUCTURE WALLS	MORTAR WORKMANSHIP, WASH-OUTS, REINFORCING (INCLUDING STARTERS), COVER	YES
RIB RAFT GROUND FLOOR SLAB(S)	HARDFILL 1.0M BEYOND SLAB EDGE, REINFORCING, POD SET OUT, STARTERS, COVER, BOXING HEIGHT	NO
INSITU CONCRETE WALL(S)	THICKNESS, REINFORCING (INCLUDING STARTERS), COVER	NO
SUSPENDED CONCRETE FLOOR(S)	REINFORCING (INCLUDING STARTERS), COVER	NO
PRE-LINE STRUCTURAL STEEL	INSTALLATION, SIZE, CONNECTIONS, DURABILITY (IF EXTERNAL)	YES
PRE-LINE SPECIFICALLY DESIGN TIMBER STRUCTURE	INSTALLATION, SIZE, CONNECTIONS, DURABILITY (IF EXTERNAL)	YES

NOTES:

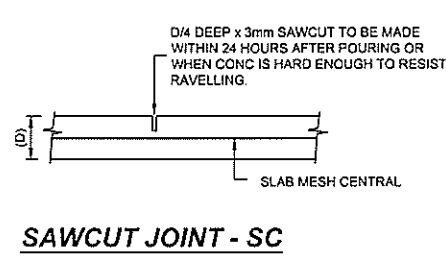
- IN THE ABSENCE OF STRUCTURAL ENGINEERING INSPECTION REQUIREMENTS CONTAINED WITHIN THE BUILDING CONSENT APPROVAL THE ABOVE FORMS THE MINIMUM LEVEL OF SUPERVISION REQUIRED.
- OBSERVATIONS ARE TO BE UNDERTAKEN BY A CHARTERED STRUCTURAL ENGINEER.
- A PRODUCER STATEMENT - CONSTRUCTION REVIEW (PS4) CERTIFICATE WILL ONLY BE ISSUED (BY THE ENGINEER ENGAGED) ON COMPLETION OF THE REQUIRED INSPECTIONS LISTED ABOVE.
- 24 HOURS MINIMUM NOTICE IS REQUIRED FOR ANY INSPECTION.

* LIMITATION: IN ALL INSTANCES THE STRUCTURAL ENGINEER IS NOT RESPONSIBLE FOR INSPECTION, TESTING OR THE LIKE OF SUBSOIL STRENGTH AND/OR CERTIFICATION OF HARDFILL COMPACTION. REFER ALL QUERIES OF THIS NATURE TO A CHARTERED GEOTECHNICAL ENGINEER.

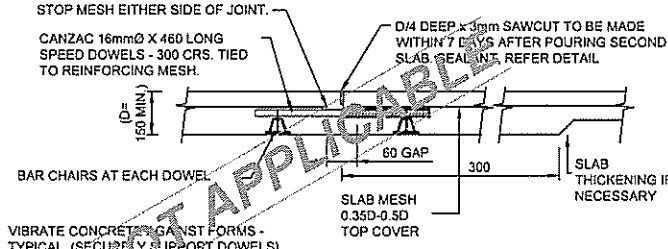
TYPICAL INSITU CONCRETE DETAILS



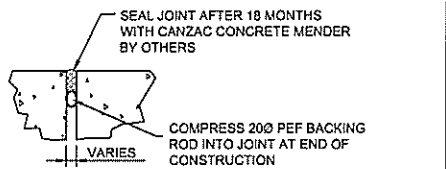
MOVEMENT JOINT - MJ



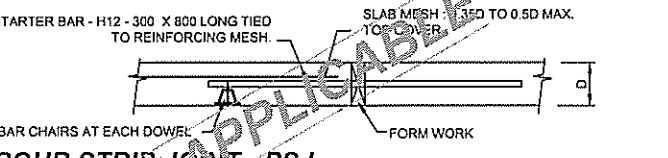
SAWCUT JOINT - SC



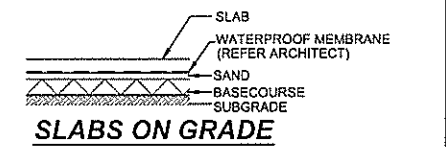
MOVEMENT / CONSTRUCTION JOINT MCJ



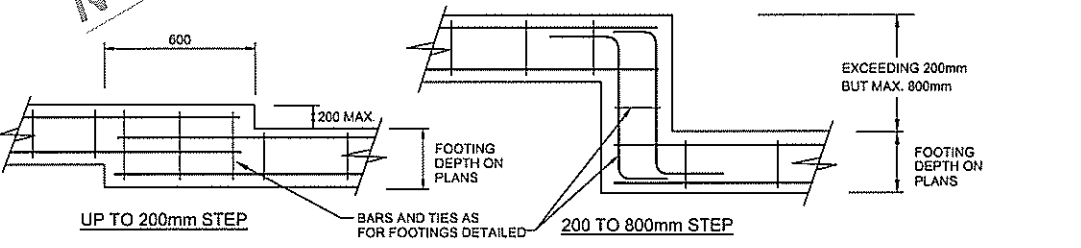
SEALANT DETAIL TO MOVEMENT JOINTS AND CONSTRUCTION JOINTS



POUR STRIP JOINT - PSJ

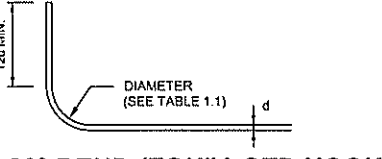


SLABS ON GRADE



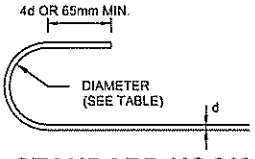
ALTERNATIVE FOUNDATION STEPPING DETAILS

TO BE USED WHERE FOUNDATION BEARING MATERIAL SLOPES



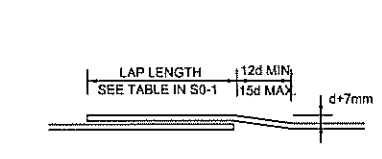
90° BEND (EQUIV. STD HOOK)

NOTE: d = DIAMETER OF BAR BEING BENT



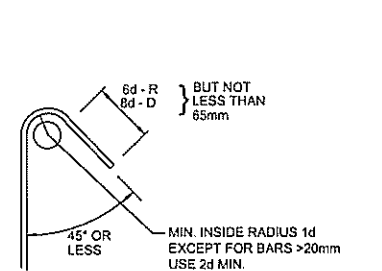
STANDARD HOOK

NOTE: d = DIAMETER OF BAR BEING BENT



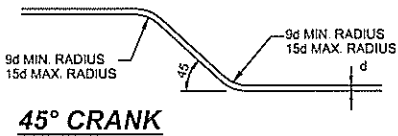
OFFSET LAPS

NOTE: d = DIAMETER OF BAR BEING BENT



STANDARD STIRRUP ANCHORAGE

NOTE: d = DIAMETER OF BAR BEING BENT



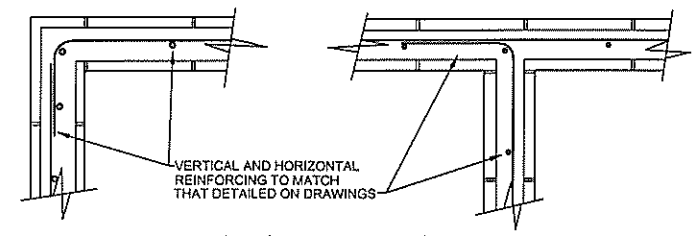
45° CRANK

TABLE 1.1 - DIAMETER OF BENDS

REBAR TYPE	BAR DIAMETER (d) (INSIDE FACE)						
	6	10	12	16	20	25	32
PLAIN BARS	30	50	60	80	100	150	240
DEFORMED BARS	30	50	60	80	100	150	240
PLAIN BARS (STIRRUPS & TIES)	20	20	30	40	40	80	
DEFORMED BARS (STIRRUPS & TIES)	30	40	50	70	80	150	

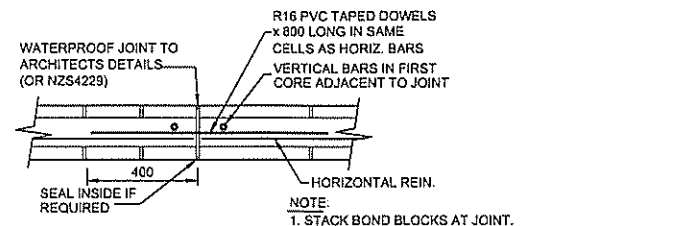
NOTE: d = DIAMETER OF BAR BEING BENT

TYPICAL BLOCKWORK DETAILS



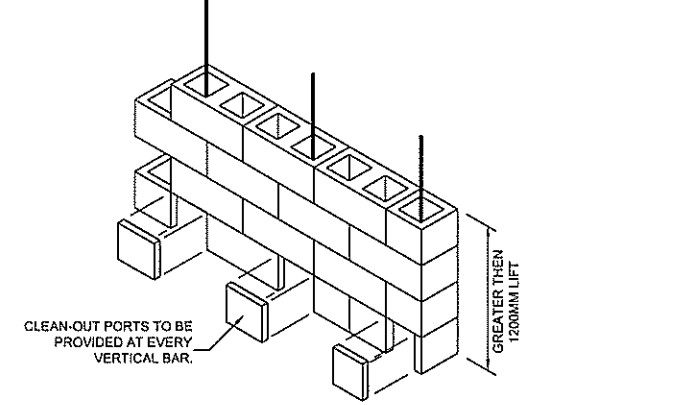
TYPICAL CORNER DETAIL TYPICAL T-INTERSECTION

NOTE: DOUBLE LAYER REINFORCEMENT DETAILS SIMILAR

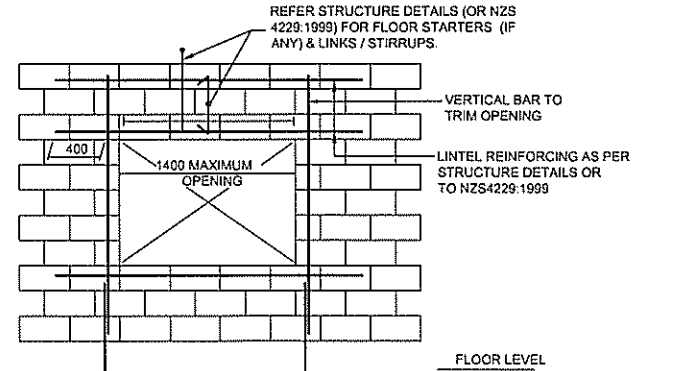


TYPICAL BLOCK WALL CONTROL JOINT

RECOMMENDED MAXIMUM SPACING 4.8m



CLEAN-OUT PORT DETAIL

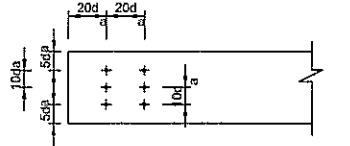


TYPICAL OPENING DETAIL

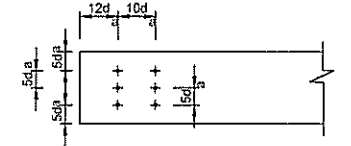
BAR DIAMETER	*D* (300 MPa)		*H* (500 MPa)	
	VERT.	HORIZ.	VERT.	HORIZ.
10	400	520	700	910
12	480	620	840	1100
16	640	830	1120	1480
20	890	1040	1400	1920

REINFORCEMENT SPLICE / LAP LENGTHS IN BLOCKWORK

TYPICAL TIMBER DETAILS

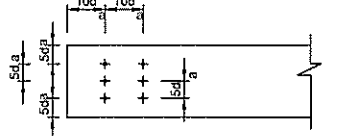


MINIMUM SPACING OF NAILS - NO PREBORING ALL TIMBER EXCEPT RADIATA PINE

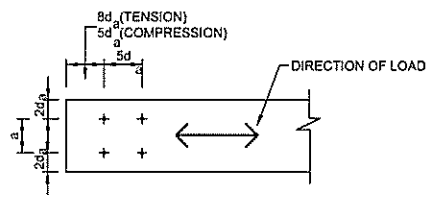


MINIMUM SPACING OF NAILS - NO PREBORING RADIATA PINE ONLY

NOTE: d_a = FASTENER DIA.

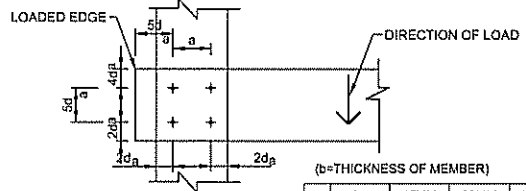


MINIMUM SPACING OF NAILS & SCREWS - PREBORING TO 0.8d_a ALL TIMBER



NOTE: a = 2.5d_a (UP TO A MAX. OF 4 BOLTS REFER DETAILS OR ENGINEER AS NECESSARY.)

MINIMUM SPACING OF BOLTS (LOADED PARALLEL TO GRAIN ALL TIMBER)



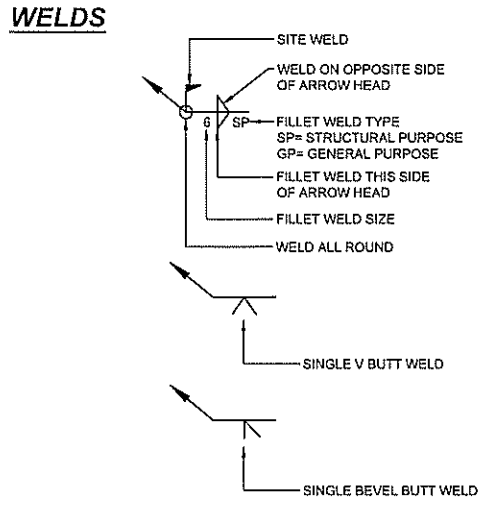
NOTE: d_a = BOLT DIA.

a	b	45MM	80MM	135MM
M12	45	60	60	
M16	50	75	80	
M20	60	80	100	

(REFER DETAILS OR ENGINEER FOR ALTERNATE THICKNESS.)

MINIMUM SPACING OF BOLTS (LOADED PERPENDICULAR TO GRAIN ALL TIMBER)

TYPICAL STEELWORK DETAILS



THE CONTRACTOR IS TO VERIFY ALL DIMENSIONS, ANGLES, SITE MEASUREMENTS & CONDITIONS, ETC. BEFORE FABRICATION OR CONSTRUCTION IS BEGUN.

© COPYRIGHT OF THESE DRAWINGS REMAINS THE PROPERTY OF SULLIVAN HALL LIMITED

Sullivan Hall
PARTNER ENGINEERS

LEVEL 1, 2 WAIPAREIRA AVE, WAITAKERE, AUCKLAND
PH: 09 839 7044 FAX: 09 835 4791

Project
GOLDSMITH NEW HOUSE
193 CULLEN ROAD
WAIPU

Drawing Title
TYPICAL CONSTRUCTION NOTES

Original Size A1	Drawn by JN	Checked by FM	Date DEC 15
Scale NTS	Job No 2625	Dwg No S0-2	Rev A

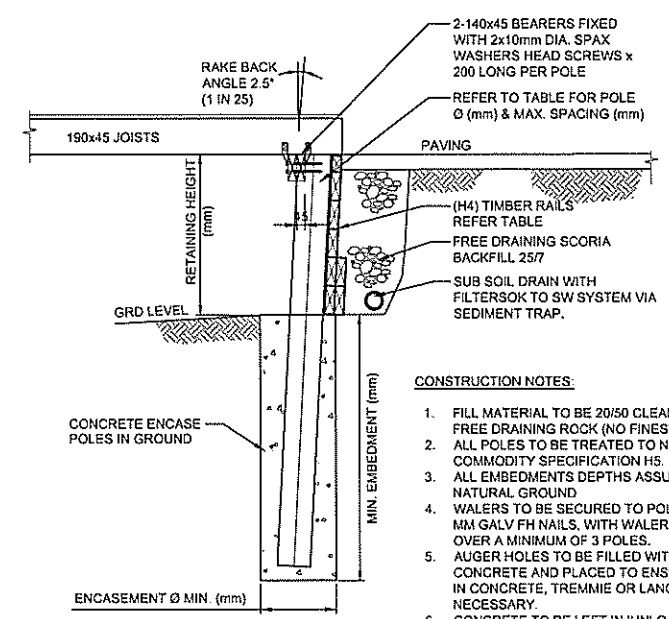
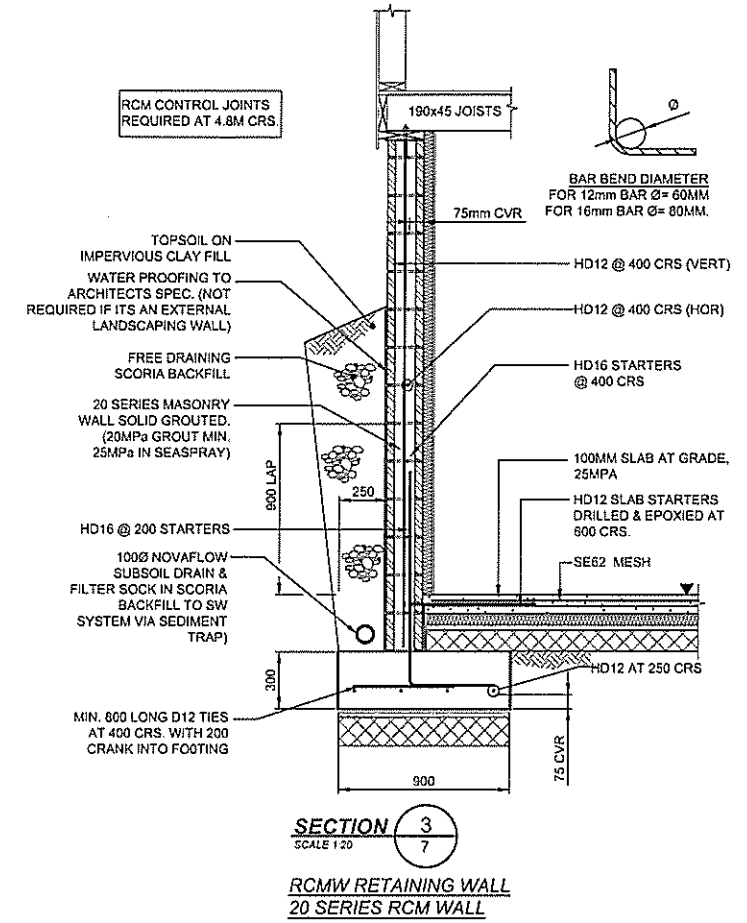
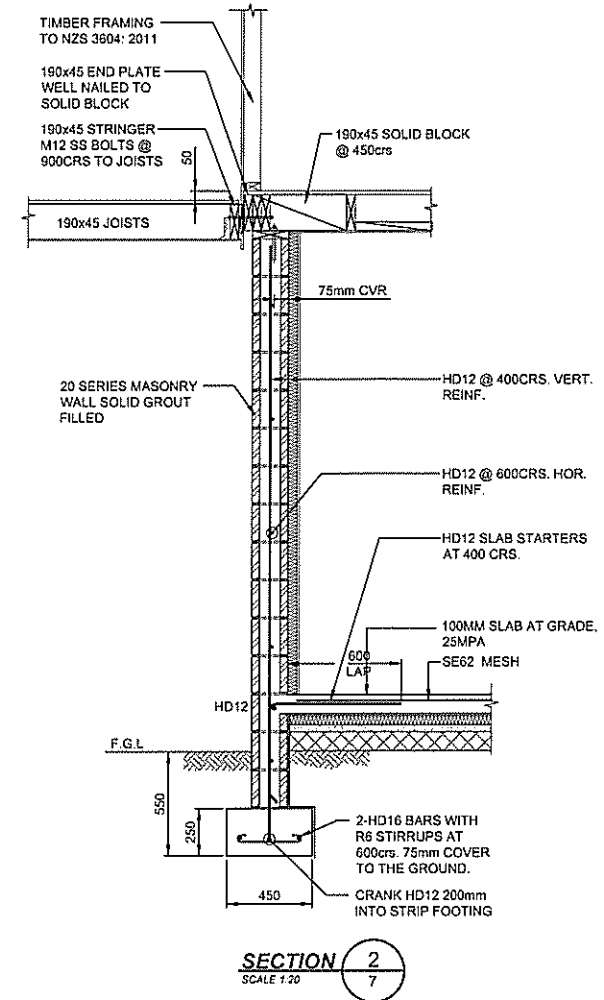
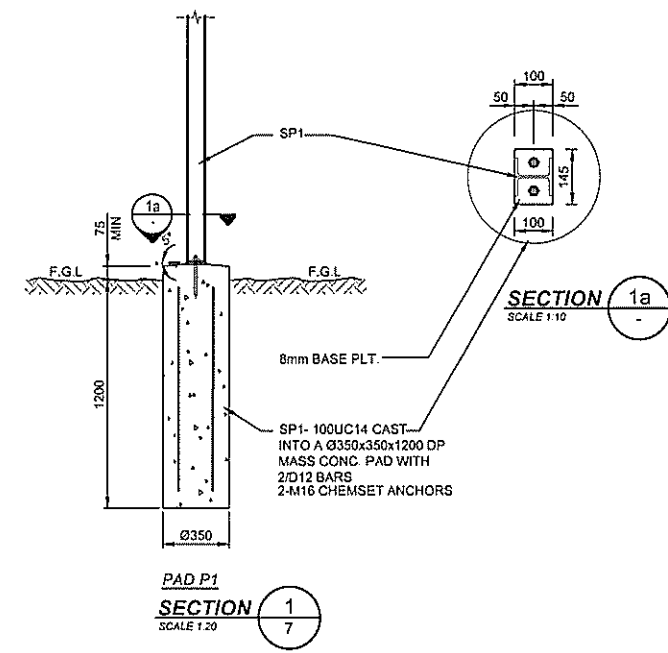
NOTES

- FOR NOTES ON SHEET S0-1 & S0-2.
- FLOOR SLAB CONCRETE PROPERTIES:
 - STRENGTH $f_c = 25 \text{ MPa}$, (AT 28 DAYS)
 - TARGET SLUMP 100mm (TO BE TESTED ON SITE. REJECT CONCRETE EXCEEDING LIMIT.)
 - AGGREGATE SIZE 20mm.
- ALL BLOCKWALLS TO BE SOLID GROUTED (UNLESS NOTED OTHERWISE) WITH 17.5 MPa. APPLY SIKA CAVEY ADMIXTURE AT A RATE OF 1 kg/m³. IF HIGH LIFT METHOD USED.
- ALL DIMENSIONS TO BE CHECKED ON SITE PRIOR TO ANY FABRICATION OR CONSTRUCTION.
- ALL CONCRETE CONSTRUCTION TO BE IN ACCORDANCE WITH NZS 3109.
- USE SITE CONCRETE TO PROTECT EXCAVATIONS FROM ADVERSE WEATHER CONDITIONS AS REQUIRED.

RETAINING WALLS	
ID	DESCRIPTION
TPRW	150mm SED, H5 POSTS @ 1200CRS CAST INTO 350mm DIA. AUGER 1100min INTO GROUND. MAX RETAINED HEIGHT 800mm. RAKED AT 2.50 DEG. (1:25). 150x50 T&G H4 RETAINING WALL WALERS TO INSIDE FACE OF POST
RCMW	20 SERIES BLOCK, GROUT FILLED TO 2450mm HEIGHT, MAX RETAINED. HD12 @ 400CRS EW TO WALL, HD16 STARTERS @ 400CRS, 900mm LAP. 900Wx300D FOOTING WITH 250mm HEEL, D12@250mm CRS.

FOUNDATION	
ID	DESCRIPTION
P1	350mm DIA. TO 1200mm DEEP MIN.

ALL FOOTINGS 600min INTO ORIGINAL GROUND. NO STRUCTURE TO BE FOUNDED ON NON-ENGINEERED FILL.

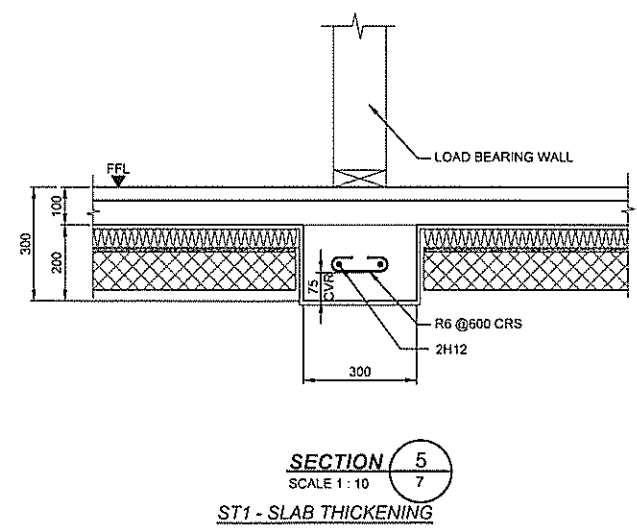


CANTILEVERED RETAINING WALL DESIGN PARAMETERS:

$K_a = 0.33$
 $S_u = 2.5 \text{ kPa}$
 BACKFILL SLOPE = 10° DEGREES 1:25
 UNDRAINED SHEAR STRENGTH, $C = 50 \text{ kPa}$

NOTES:

- WALL HAS BEEN DESIGNED TO PARAMETERS IN COMPLETED BOXES ONLY
- TRACKING OF ANY VEHICLE OR MACHINERY AT THE TOP OF THE WALL TO A DISTANCE AWAY FROM THE WALL EQUAL TO THE RETAINED HEIGHT IS NOT PERMITTED WITHOUT PERMISSION FROM THE STRUCTURAL ENGINEER.
- COMPACT FILL (IF REQUIRED) IMMEDIATELY BEHIND WALL (EXCLUDES DRAINAGE MATERIAL) WITHIN A DISTANCE TO THE WALL RETAINED HEIGHT WITH WALK BEHIND SHEEPS FOOT ROLLER OR VIBRATING PLATE COMPACTOR. REFER GEOTECHNICAL ENGINEER FOR COMPACTION REQUIREMENTS AND TESTING.



MAX RET. HEIGHT (mm)	800
POLE SIZE (MM)	150
MAX SPACING (mm)	1200
ENCASEMENT DIA. (mm)	350
MIN EMBEDMENT (mm)	1100
RAILS	150X50

REV	DATE	ISSUE FOR CONSENT	DESCRIPTION
A	2015.12.22		

AMENDMENTS

THE CONTRACTOR IS TO VERIFY ALL DIMENSIONS, ANGLES, SITE MEASUREMENTS & CONDITIONS, ETC BEFORE FABRICATION OR CONSTRUCTION IS BEGUN.

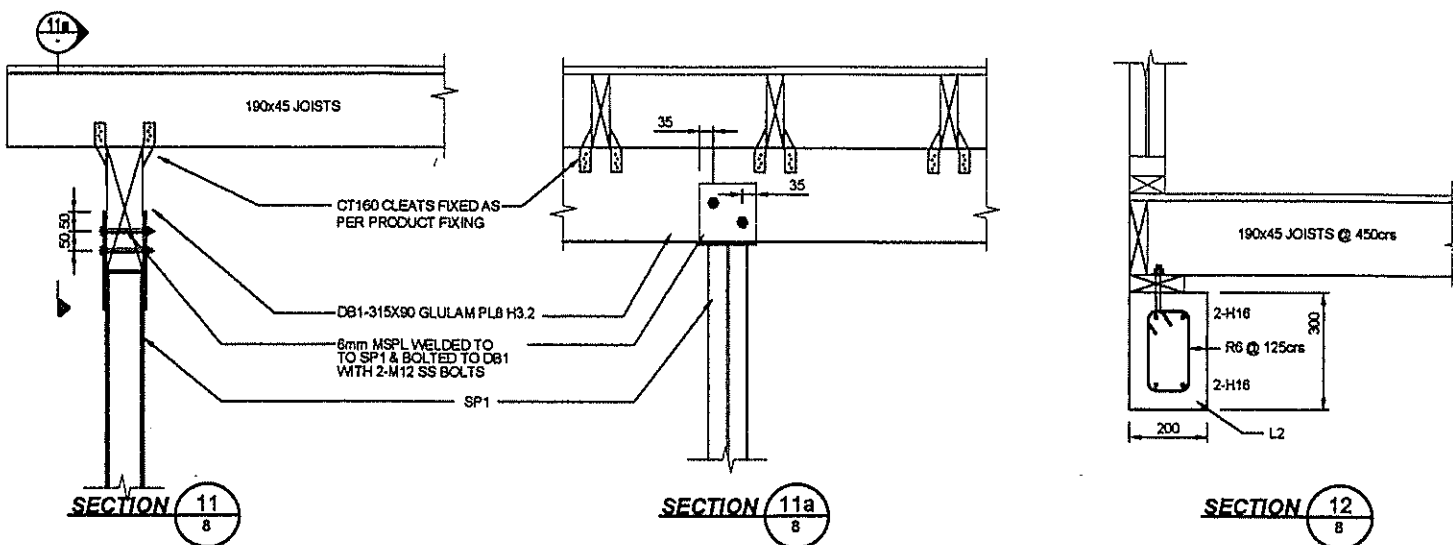
© COPYRIGHT OF THESE DRAWINGS REMAINS THE PROPERTY OF SULLIVAN HALL LIMITED

Sullivan Hall
 CONSULTING ENGINEERS
 LEVEL 1, 2 WAIPAREIRA AVE,
 WAITAKERE, AUCKLAND
 PH. 09 839 7044 FAX. 09 835 4791

Project
GOLDSMITH NEW HOUSE
 193 CULLEN ROAD
 WAIPU

Drawing Title
FOUNDATION DETAILS

Original Size	Drawn by	Engineer	Date
A1	JN	FM	DEC 15
Scales	Job No	Dwg No	
AS SHOWN	2526	S1	



STRUCTURAL POST SCHEDULE	
ID	DESCRIPTION
SP1	100UC14 POST
TP1	3/14x45

DECK BEAM SCHEDULE	
ID	DESCRIPTION
DB1	315X90 GLULAM PL8 H3.2, SS FIXINGS AND WASHERS THROUGHOUT.

BEAM SCHEDULE	
ID	DESCRIPTION
FB1	250UB37
FB2	2/200x63 HYPSPAN
FB3	150PPC, CONTINUOUS BACK INTO WALL FRAMING

LINTEL SCHEDULE	
ID	DESCRIPTION
L1	200UB30 (133 WIDE FLANGE, TO SUIT 140mm FRAMING)
L2	RC 300x200, 45mm COVER, 4HD16 TOTAL, 2/HD16 TO TENSION FACE WITH R6 STIRRUPS @ 125CRS
L3	390mm 20 SERIES BLOCK LINTEL, 2HD12, R6 STIRRUPS @ 150CRS
L4	390mm 20 SERIES BLOCK LINTEL, 2HD12, R6 STIRRUPS @ 150CRS

ROOF BEAM SCHEDULE	
ID	DESCRIPTION
RB1	250UB37

ALTEX PAINT SYSTEM 4 EXPOSED STEEL :

1. ABRASIVE BLAST TO SSPC SP10 (Sa2.5) TO ACHIEVE UNIFORM JAGGED BLAST PROFILE OF BETWEEN 35 & 50µm.
2. APPLY COAT DEVOE CATHA-COAT 302 TO PREPARED SP10 SUBSTRATE
3. APPLY FULL COATS OF COATS DEVOE DEVTRAN 223 & DEVOE DEVTHANE 379
4. SEE ATTACHED SPECIFICATION OF DETAILS

ALTEX PAINT SYSTEM 1 ENCLOSED STEEL :

1. POWER TOOL CLEAN TO SSPC SP3
2. APPLY ALTEX PRE-FAB TO THE SP3 PREPARED SUBSTRATE
3. ALL SURFACES MUST BE CLEAN AND DRY BEFORE PAINTING.
4. SEE ATTACHED SPECIFICATION OF DETAILS

SERVICES HOLES IN STEEL WORK:

ALL SP2 POSTS 30MM Ø HOLES TO BE DRILLED THROUGH SECTION @ 3 LOCATION. (400MM, 1200MM & 2200MM ABOVE FLOOR LEVEL) ONLY IN THE LINE OF WALLS.

NO SERVICE HOLES FOR K-BRACING.

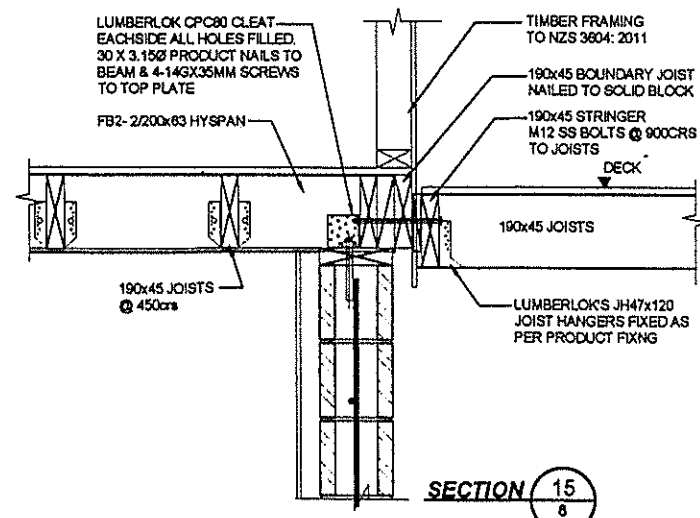
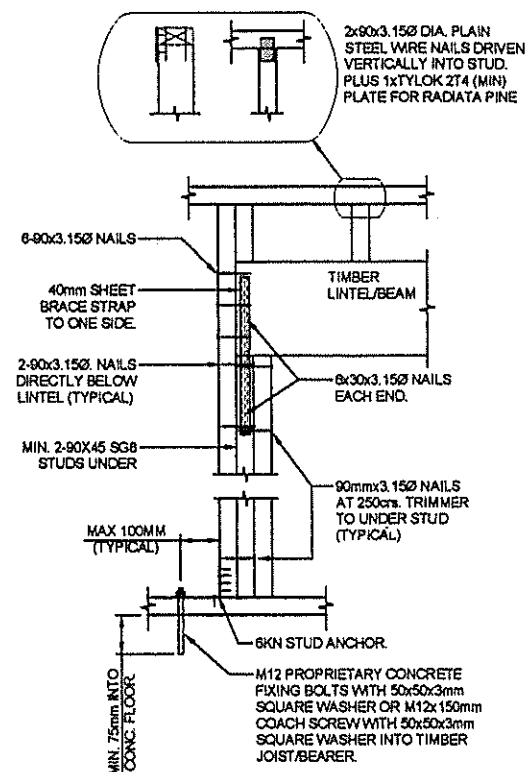
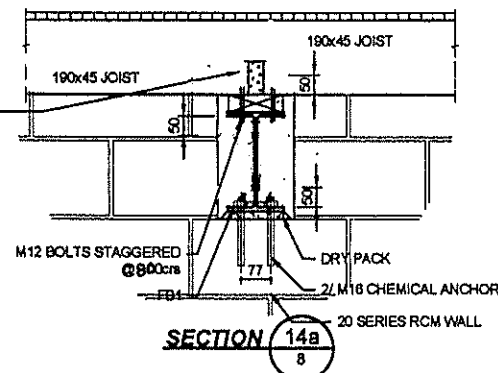
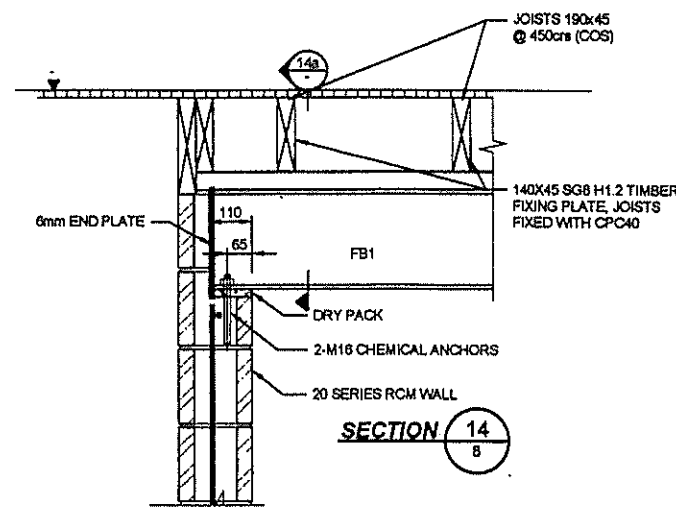
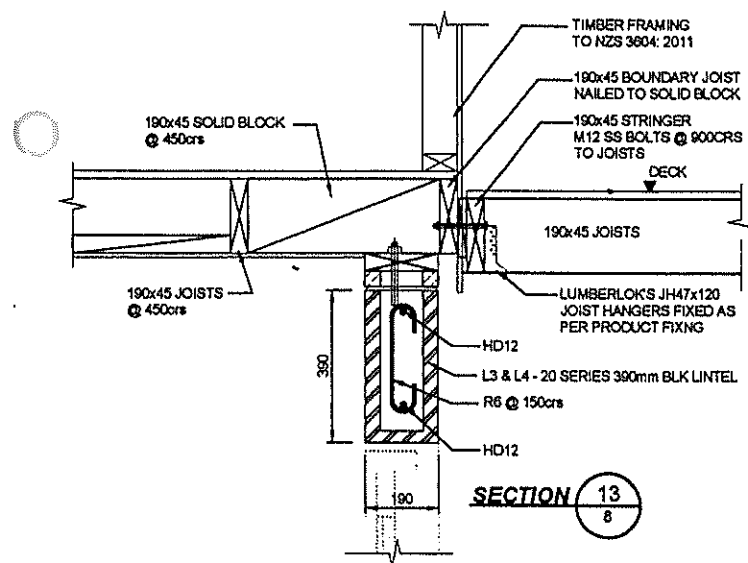
ALL SHS POSTS TO HAVE 14MM Ø HOLES @ 1200CRS IN BOTH PLANES TO DRILL FOR M12 FIXING AT TIMBER

NOTES

1. CONFIRM EX. 140x45 TIMBER JOISTS ARE AT 450cns. JOISTS MUST NOT HAVE A CLEAR SPAN GREATER THAN 2.35m
2. ALL STEEL WORK TO BE TREATED FOR AN INTERNAL ENVIRONMENT

NOTES

1. FOR NOTES ON SHEET S0-1 & S0-2
2. ALL DIMENSIONS TO BE CHECKED ON SITE PRIOR TO ANY FABRICATION OR CONSTRUCTION.
3. ALL WELDS TO BE 6mm FILLET UNLESS NOTED OTHERWISE.
4. ALL STEEL TO STEEL BOLTED CONNECTIONS TO USE GRADE 8.8/8 BOLTS UNLESS STATED OTHERWISE ON DRAWINGS. ALL TIMBER TO STEEL BOLTED CONNECTIONS TO USE GRADE 4.8/8 BOLTS UNLESS STATED OTHERWISE ON DRAWINGS.
5. "INJECTION ANCHORS" ARE RAMSET TO BE ONE OF THE FOLLOWING ACCEPTED EPOXY SYSTEMS:
 - HILTI HY-150
 - SIKU ANCHOR FIX-3
 - RAMSET CHEMSET 101 INJECTION MORTAR
 INSTALLATION DEPTH & TIGHTENING TORQUE TO MANUFACTURERS RECOMMENDATIONS. UNLESS SPECIFIED OTHERWISE ON DRAWINGS.
6. SHOP DRAWINGS BY STEEL FABRICATOR ARE TO BE SUBMITTED FOR APPROVAL PRIOR TO FABRICATION OF ANY STEELWORK.
7. ALL EXPOSED STEELWORK TO BE 175 MICRONS ZINC SPRAYED, SEALED AND PAINTED UNLESS NOTED OTHERWISE. REFER TO STRUCTURAL AND ARCHITECTURAL SPECIFICATIONS.
8. ALL CONCEALED STEELWORK TO BE SHOP PRIME PAINTED UNLESS NOTED OTHERWISE. REFER TO STRUCTURAL AND ARCHITECTURAL SPECIFICATIONS.
9. ALL CONCEALED BOLTS TO BE HOT DIP GALV. ALL EXPOSED BOLTS TO BE A2-70 (304 STAINLESS STEEL).
10. ALL TIMBER IDENTIFIED ON THE STRUCTURAL DRAWINGS IS TO BE S.G 8 (U.N.O) AND COMPLY WITH THE REQUIREMENTS OF NZS3602.
11. THE MINIMUM LEVEL OF TIMBER TREATMENT AND PROTECTION IS TO BE IN ACCORDANCE WITH NZS 3602 AND AS OUTLINED IN NZS3604 - SECTION 4 DURABILITY.
12. FRAMING AND STRUCTURAL TIMBER SHALL BE SEPARATED FROM CONCRETE OR CONCRETE MASONRY IN ACCORDANCE WITH 2.3.3 OF NZS 3604.
13. ALL STEEL FIXINGS TO TIMBER ARE TO MEET THE PROTECTION REQUIREMENTS OF NZS3604 - SECTION 4 DURABILITY.
14. UNLESS NOTED OTHERWISE, A MINIMUM LEVEL OF CONNECTIVITY BETWEEN TIMBER MEMBERS IS EXPECTED IN ACCORDANCE WITH NZS3604.
15. THE MAXIMUM MOISTURE CONTENT PERMITTED IS 18% UNLESS THE TIMBER HAS SPECIFICALLY BEEN DESIGNED FOR EXTERNAL USE. INTERNAL TIMBER THAT HAS A HIGHER MOISTURE CONTENT THAN THIS LIMIT MUST BE PROPPED AND KEPT DRY UNTIL THE MOISTURE CONTENT HAS RETURNED TO ACCEPTABLE LIMITS.
16. STEEL FASTENERS DETAILED ARE GENERALLY FROM THE LUMBERLOK AND BOVMAC RANGE. IT IS ACCEPTABLE TO USE PRYCA AS AN ALTERNATIVE.



TYPICAL LINTEL OR TIMBER BEAM FIXINGS

REV	DATE	DESCRIPTION
A	2018.12.22	ISSUE FOR COMMENT

AMENDMENTS

THE CONTRACTOR IS TO VERIFY ALL DIMENSION ANGLES, SITE MEASUREMENTS & CONDITIONS, ETC BEFORE FABRICATION OR CONSTRUCTION IS BEGUN

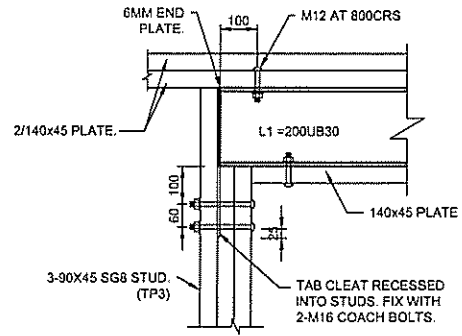
© COPYRIGHT OF THESE DRAWINGS REMAINS THE PROPERTY OF SULLIVAN HALL LIMITED

Sullivan Hall
CHARTERED ENGINEERS
LEVEL 1, 2 WAIPAREIRA AVE.
WAITAKERE, AUCKLAND
PH: 09 838 7044 FAX: 09 835 4791

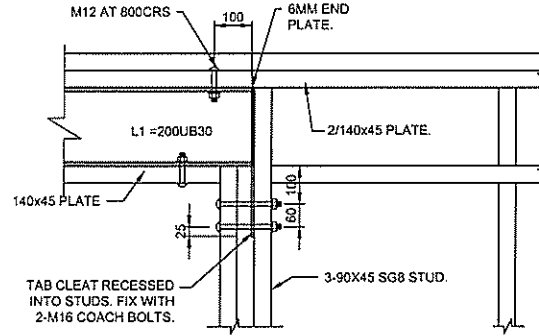
Project
GOLDSMITH NEW HOUSE
193 CULLEN ROAD
WAIPU

Drawing Title
DETAILS

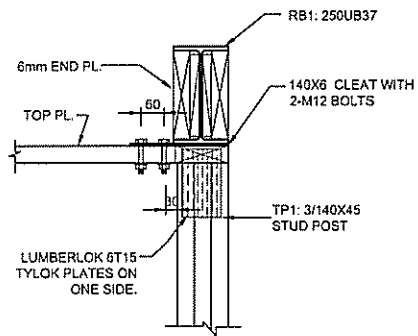
Original Size: A1	Drawn by: JN	Engineer: FM	Date: DEC 18
Scale: 1:10	Job No: 2626	Drawn By: S2	



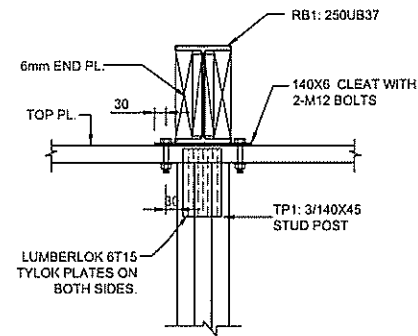
SECTION 21
10



SECTION 22
10



SECTION 23
10



SECTION 24
10

NOTES

- FOR NOTES ON SHEET S0-1 & S0-2.
- ALL DIMENSIONS TO BE CHECKED ON SITE PRIOR TO ANY FABRICATION OR CONSTRUCTION.
- ALL WELDS TO BE 6mm FILLET UNLESS NOTED OTHERWISE.
- ALL STEEL TO STEEL BOLTED CONNECTIONS TO USE GRADE 8 /S BOLTS UNLESS STATED OTHERWISE ON DRAWINGS. ALL TIMBER TO STEEL BOLTED CONNECTIONS TO USE GRADE 4 /S BOLTS UNLESS STATED OTHERWISE ON DRAWINGS.
- "INJECTION ANCHORS" ARE RAMSET TO BE ONE OF THE FOLLOWING ACCEPTED EPOXY SYSTEMS:
 - HILTI HY-150
 - SIKA ANCHOR FIX-3
 - RAMSET CHEMSET 101 INJECTION MORTAR.
 INSTALLATION DEPTH & TIGHTENING TORQUE TO MANUFACTURERS RECOMMENDATIONS. UNLESS SPECIFIED OTHERWISE ON DRAWINGS.
- SHOP DRAWINGS BY STEEL FABRICATOR ARE TO BE SUBMITTED FOR APPROVAL PRIOR TO FABRICATION OF ANY STEELWORK.
- ALL EXPOSED STEELWORK TO BE 175 MICRONS ZINC SPRAYED, SEALED AND PAINTED UNLESS NOTED OTHERWISE. REFER TO STRUCTURAL AND ARCHITECTURAL SPECIFICATIONS.
- ALL CONCEALED STEELWORK TO BE SHOP PRIME PAINTED UNLESS NOTED OTHERWISE. REFER TO STRUCTURAL AND ARCHITECTURAL SPECIFICATIONS.
- ALL CONCEALED BOLTS TO BE HOT DIP GALV. ALL EXPOSED BOLTS TO BE A2-70 (304 STAINLESS STEEL).
- ALL TIMBER IDENTIFIED ON THE STRUCTURAL DRAWINGS IS TO BE S.G 8 (U.N.O) AND COMPLY WITH THE REQUIREMENTS OF NZS3622.
- THE MINIMUM LEVEL OF TIMBER TREATMENT AND PROTECTION IS TO BE IN ACCORDANCE WITH NZS 3602 AND AS OUTLINED IN NZS3604 - SECTION 4 DURABILITY.
- FRAMING AND STRUCTURAL TIMBER SHALL BE SEPARATED FROM CONCRETE OR CONCRETE MASONRY IN ACCORDANCE WITH 2.3.3 OF NZS 3604.
- ALL STEEL FIXINGS TO TIMBER ARE TO MEET THE PROTECTION REQUIREMENTS OF NZS3604 - SECTION 4 DURABILITY.
- UNLESS NOTED OTHERWISE, A MINIMUM LEVEL OF CONNECTIVITY BETWEEN TIMBER MEMBERS IS EXPECTED IN ACCORDANCE WITH NZS3604.
- THE MAXIMUM MOISTURE CONTENT PERMITTED IS 16% UNLESS THE TIMBER HAS SPECIFICALLY BEEN DESIGNED FOR EXTERNAL USE. INTERNAL TIMBER THAT HAS A HIGHER MOISTURE CONTENT THAN THIS LIMIT MUST BE PROPPED AND KEPT DRY UNTIL THE MOISTURE CONTENT HAS RETURNED TO ACCEPTABLE LIMITS.
- STEEL FASTENERS DETAILED ARE GENERALLY FROM THE LUMBERLOK AND BOWMAC RANGE. IT IS ACCEPTABLE TO USE PRYDA AS AN ALTERNATIVE.

STRUCTURAL POST SCHEDULE	
ID	DESCRIPTION
SP1	100UC14 POST
TP1	3/140x45

DECK BEAM SCHEDULE	
ID	DESCRIPTION
DB1	2/240x70 SG8 H3.2, SS FIXINGS AND WASHERS THROUGHOUT.

BEAM SCHEDULE	
ID	DESCRIPTION
FB1	250UB37
FB2	2/200x63 HYSpan
FB3	150PFC, CONTINUOUS BACK INTO WALL FRAMING

LINTEL SCHEDULE	
ID	DESCRIPTION
L1	200UB30 (133 WIDE FLANGE, TO SUIT 140mm FRAMING)
L2	RC 300x200, 45mm COVER, 4HD16 TOTAL, 2HD16 TO TENSION FACE WITH R6 STIRRUPS @ 125CRS
L3	350mm 20 SERIES BLOCK LINTEL, 2HD12, R6 STIRRUPS @ 150CRS
L4	350mm 20 SERIES BLOCK LINTEL, 2HD12, R6 STIRRUPS @ 150CRS

ROOF BEAM SCHEDULE	
ID	DESCRIPTION
RB1	250UB37

REV	DATE	ISSUE FOR CONSENT	DESCRIPTION
A	2015.12.22		

AMENDMENTS
THE CONTRACTOR IS TO VERIFY ALL DIMENSIONS, ANGLES, SITE MEASUREMENTS & CONDITIONS, ETC BEFORE FABRICATION OR CONSTRUCTION IS BEGUN

© COPYRIGHT OF THESE DRAWINGS REMAINS THE PROPERTY OF SULLIVAN HALL LIMITED

LEVEL 1, 2 WAIPAREIRA AVE, WAITAKERE, AUCKLAND
PH: 09 839 7044 FAX: 09 835 4791

Project
GOLDSMITH NEW HOUSE
193 CULLEN ROAD
WAIPU

Drawing Title
DETAILS

Original Size	Drawn by	Engineer	Date
A1	JN	FM	DEC 15
Scales	Job No	Dwg No	
1:10	2526	S3	