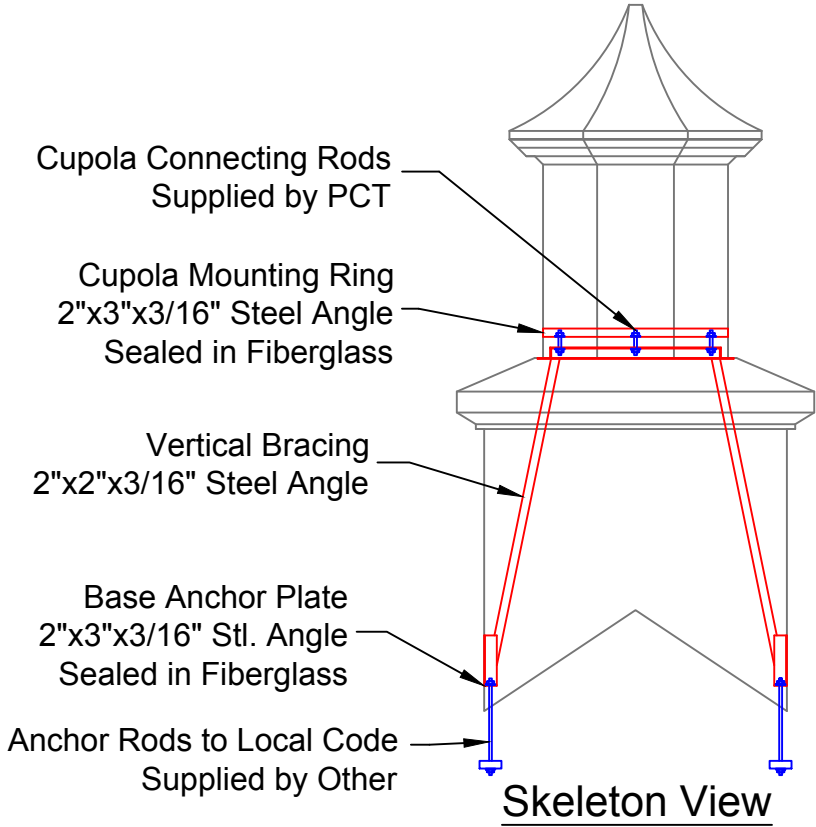
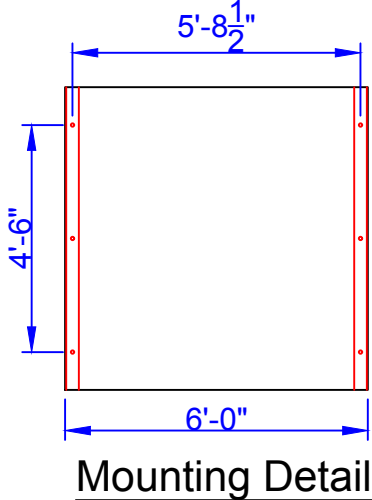
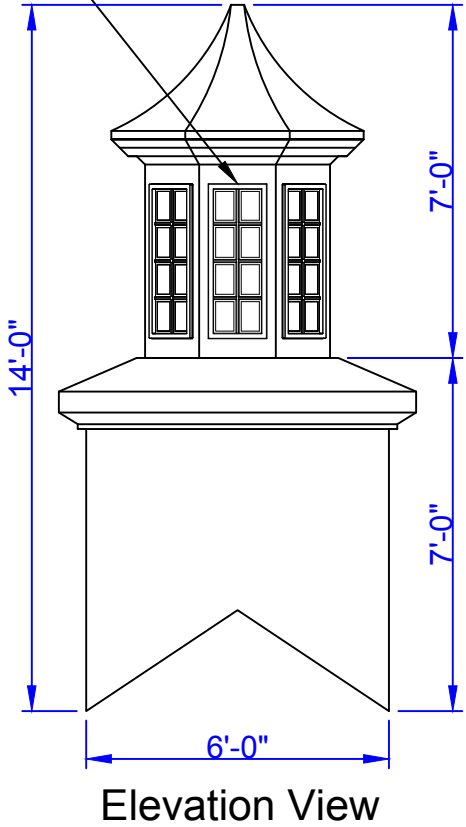
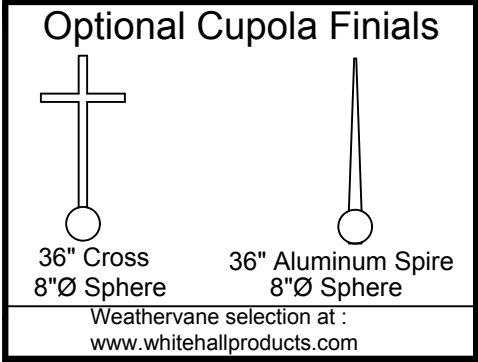
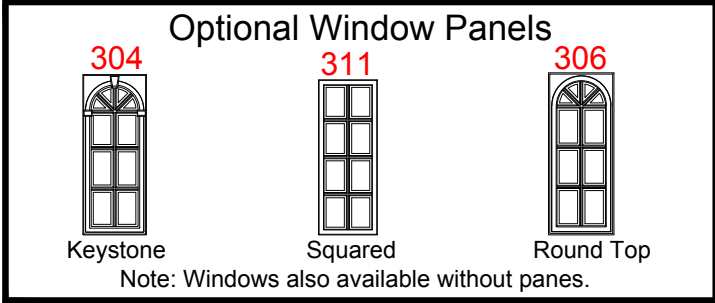


**Cupola Data**  
 Overall Height = 14'  
 Base Width = 6'  
 Unit Weight = 800 lbs.

Base Panel: WP comes standard with 8 K-glass windows. See above for optional window designs.



**PIEDMONT**  
 COMPOSITES & TOOLING

33 Lewittes Rd.  
 Taylorsville, NC 28681  
 Phone: 828-632-8883  
 Fax: 828-632-5585  
 www.piedmontcomposites.com

**CUPOLA**

Model : **860WP**

Scale:  
N/A

Drawn by:  
C.BOTHOS

Created On  
-

Updated On  
03/27/19

Note: All drawings are the property of Piedmont Composites & Tooling, LLC. Variation in material thickness, dimension and weight may occur. PCT reserves the right to change or modify design at anytime without notice.