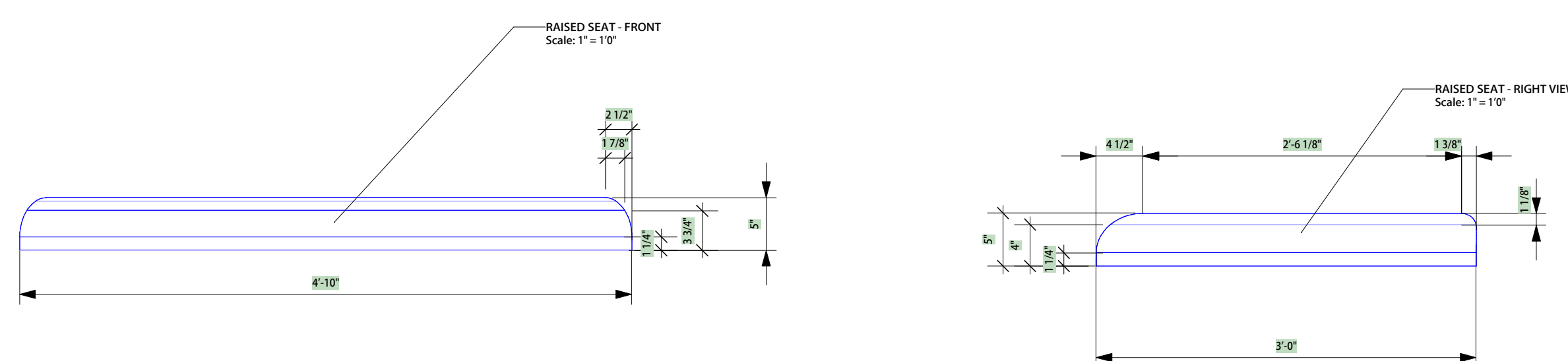
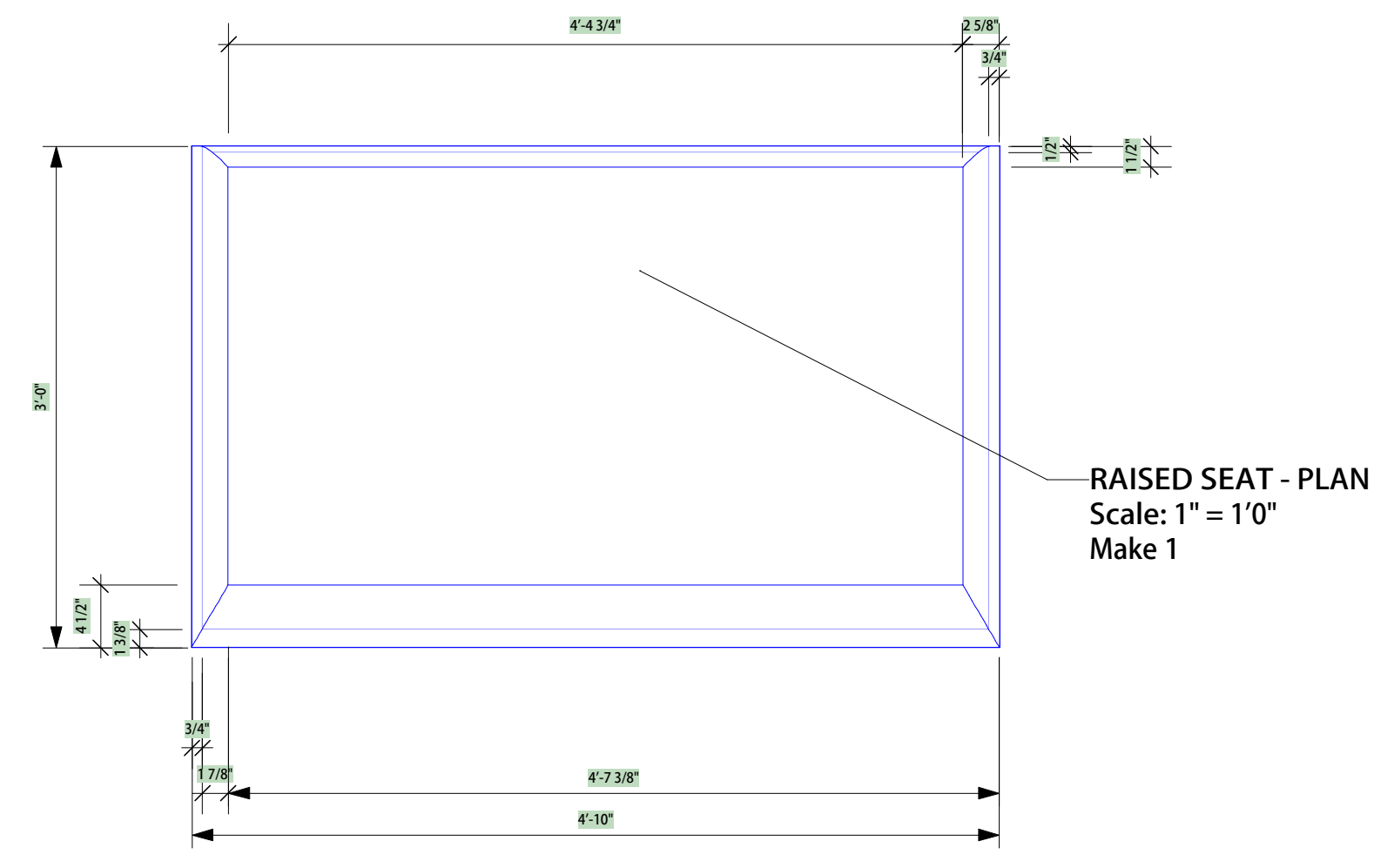
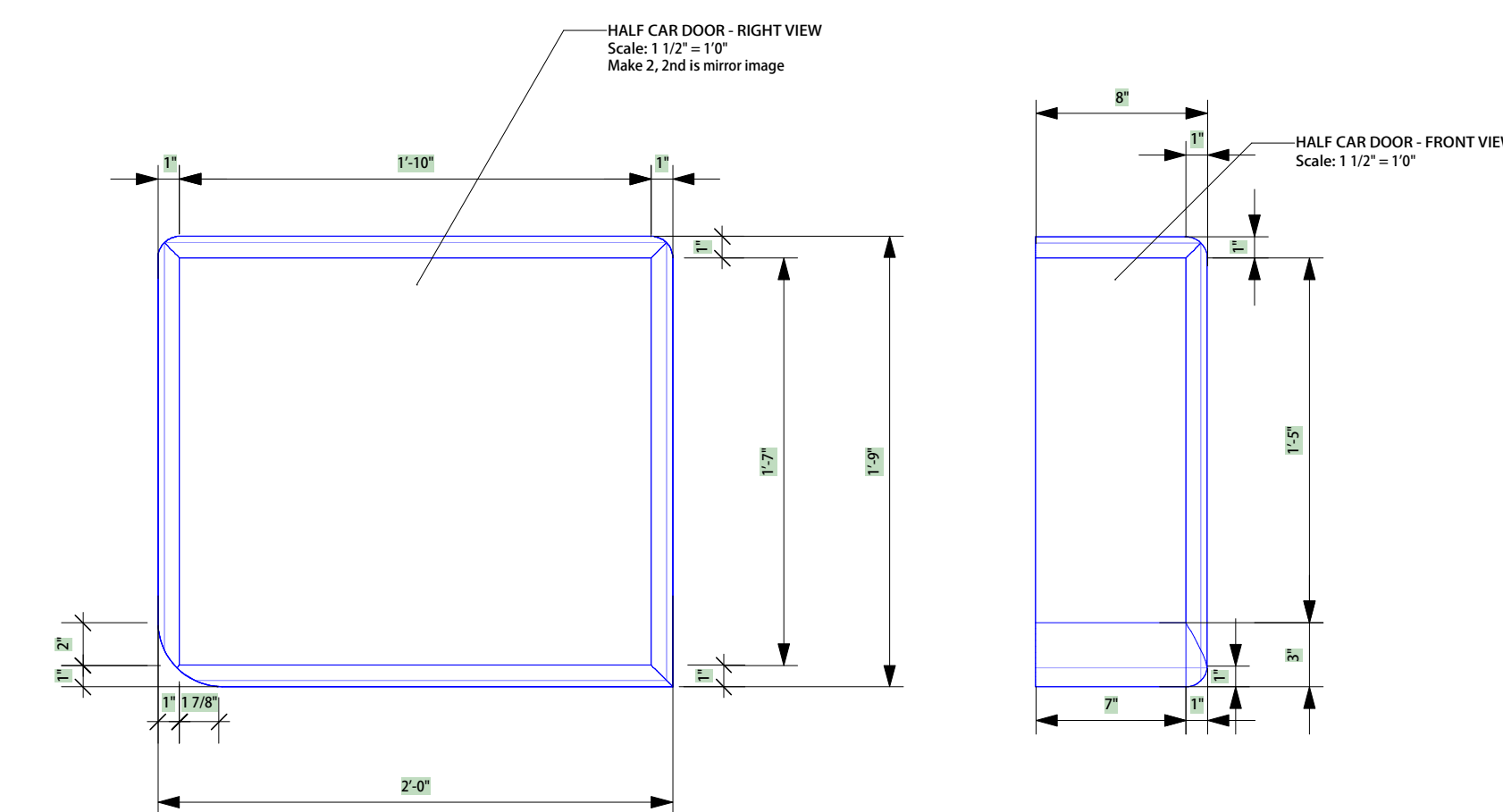
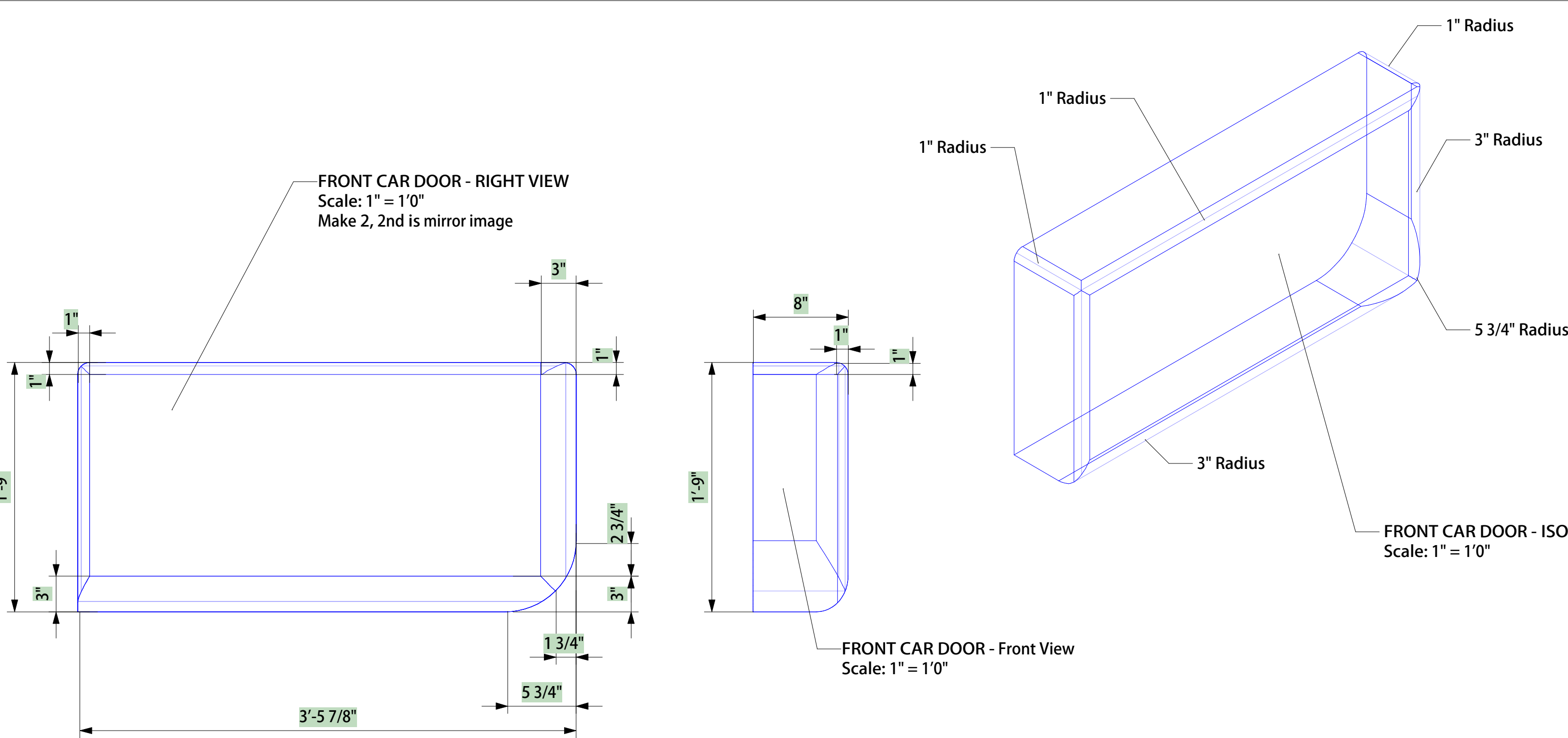
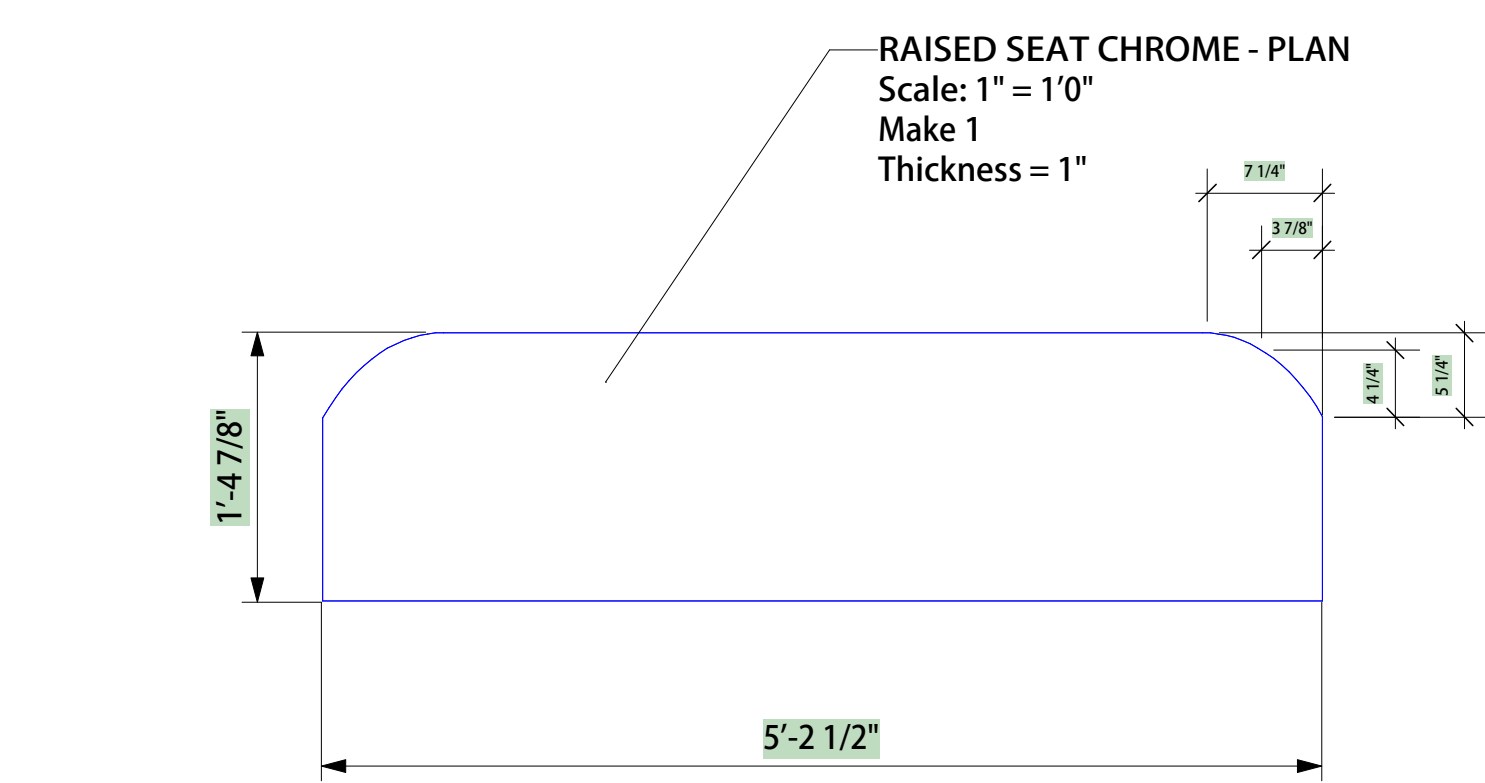
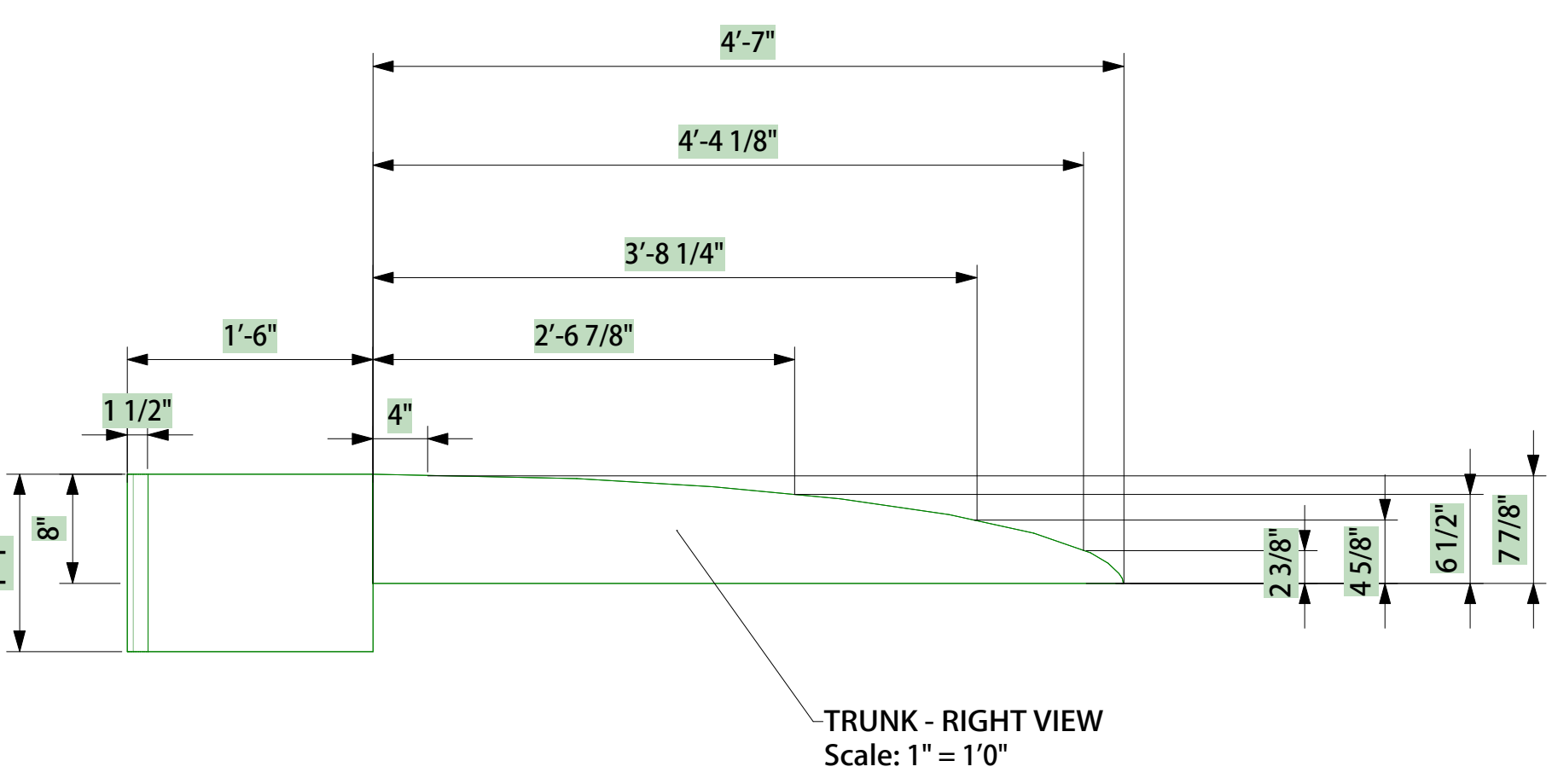
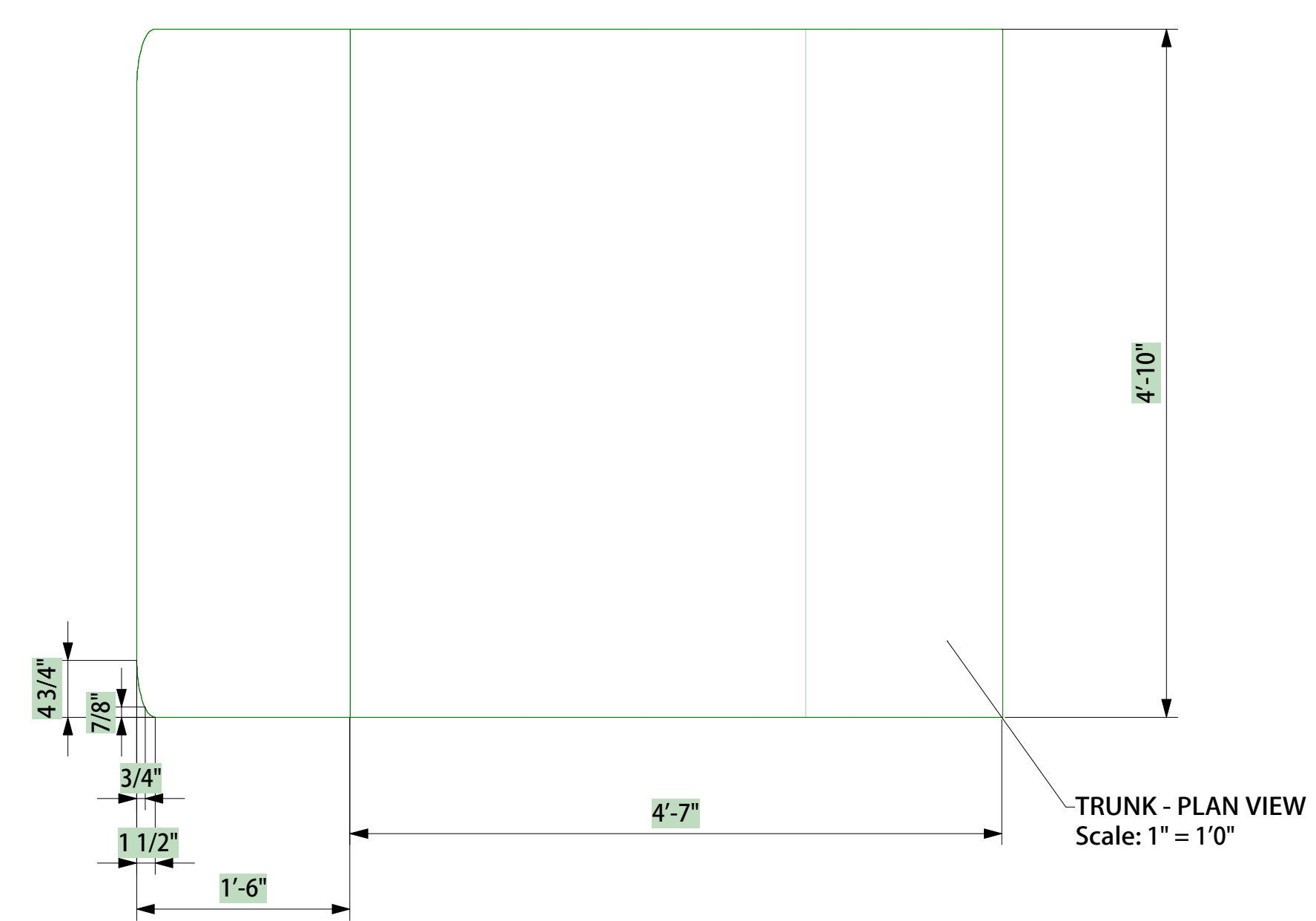
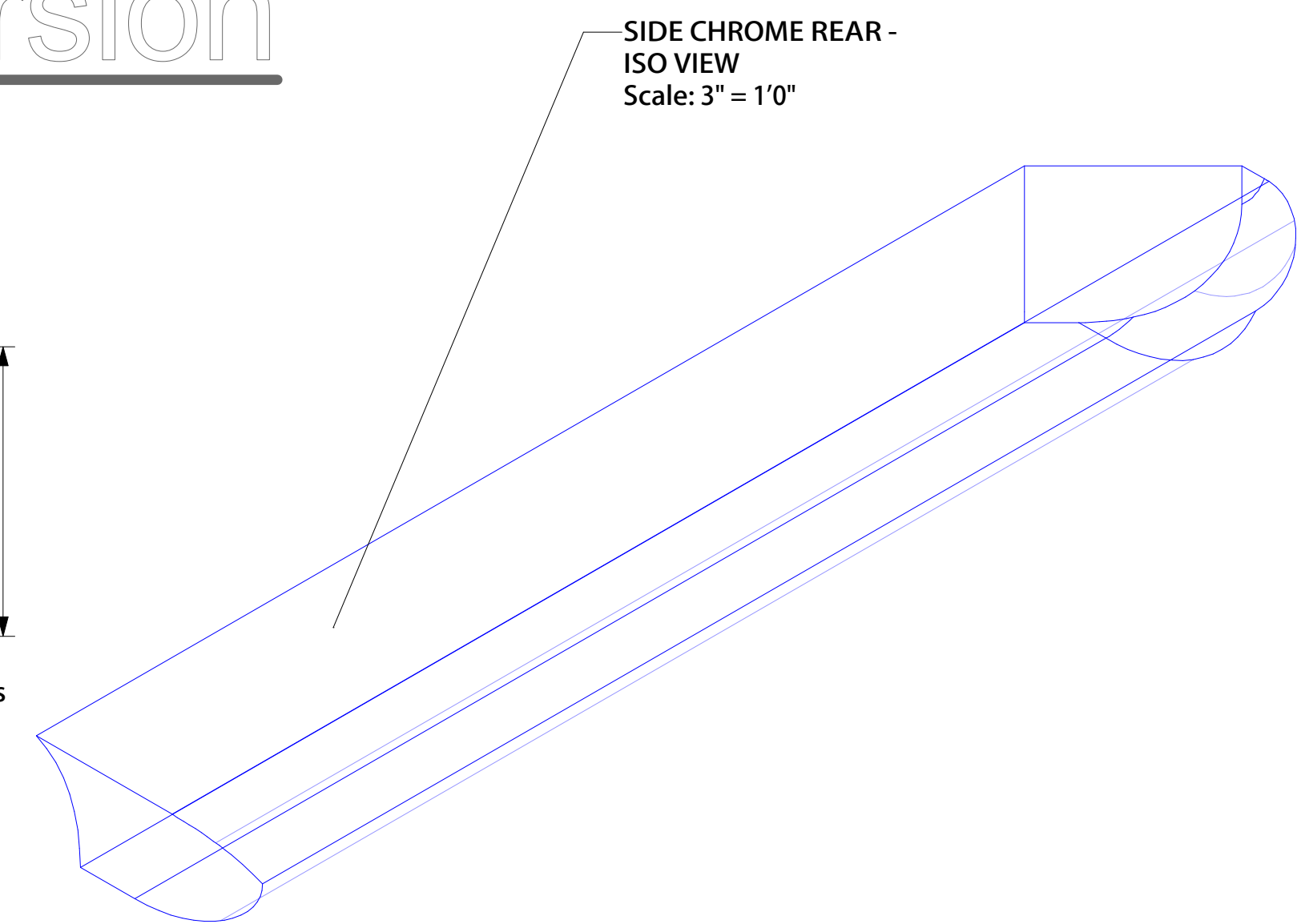
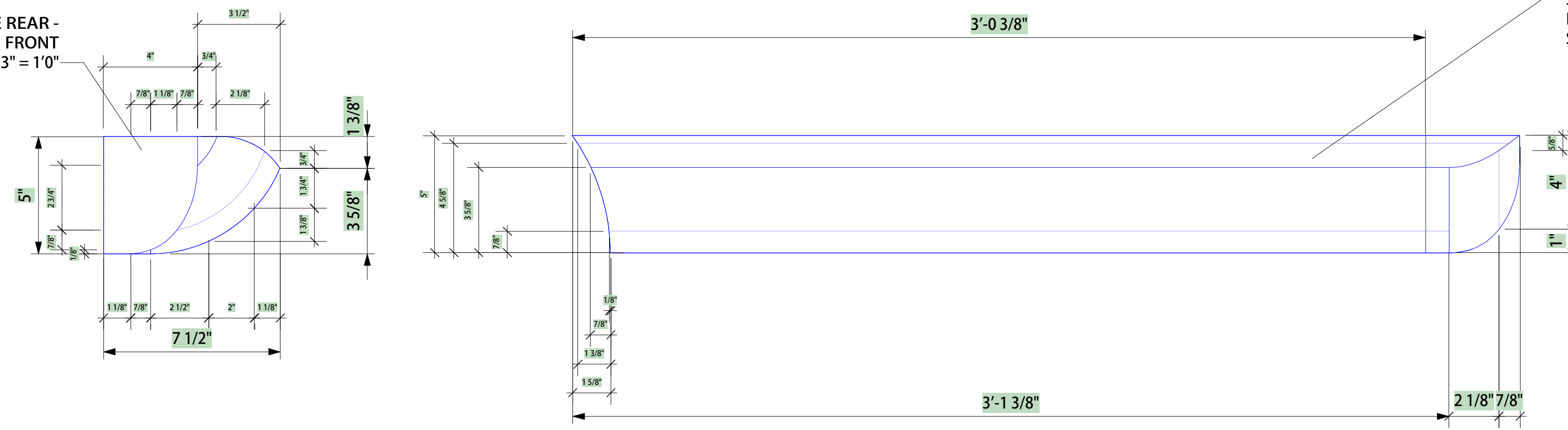
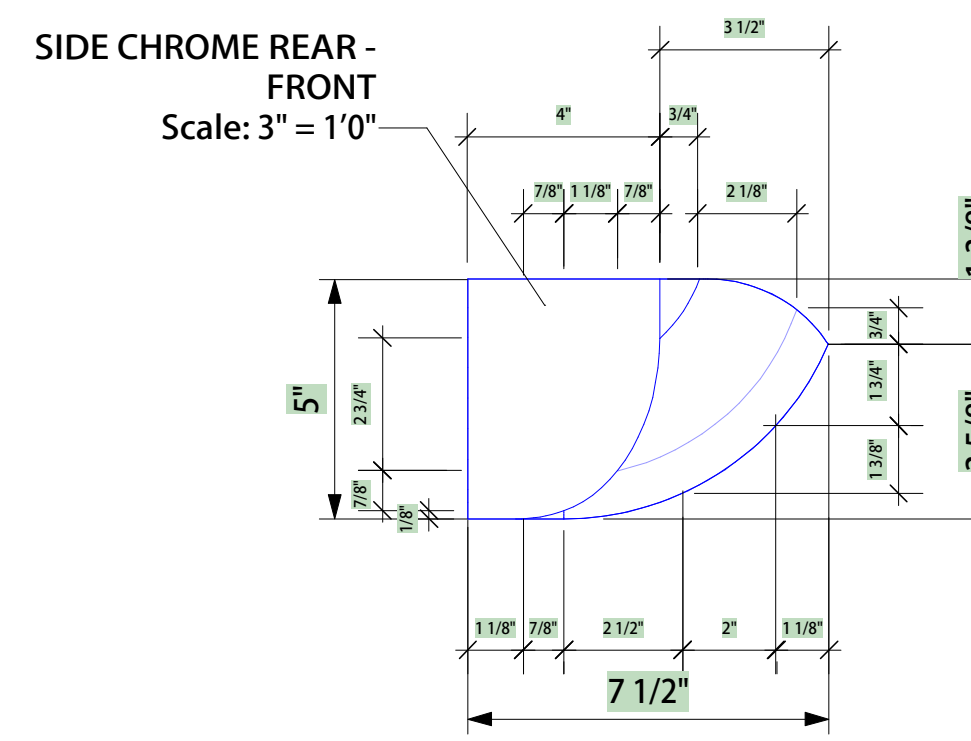
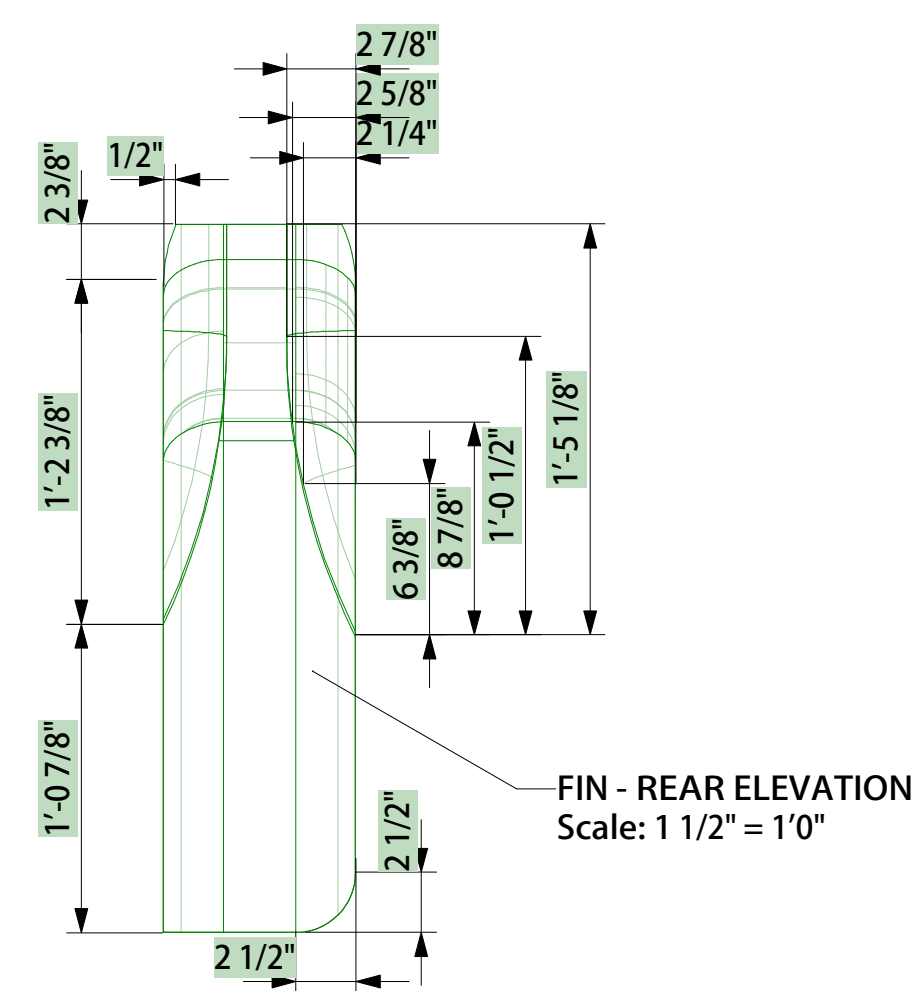
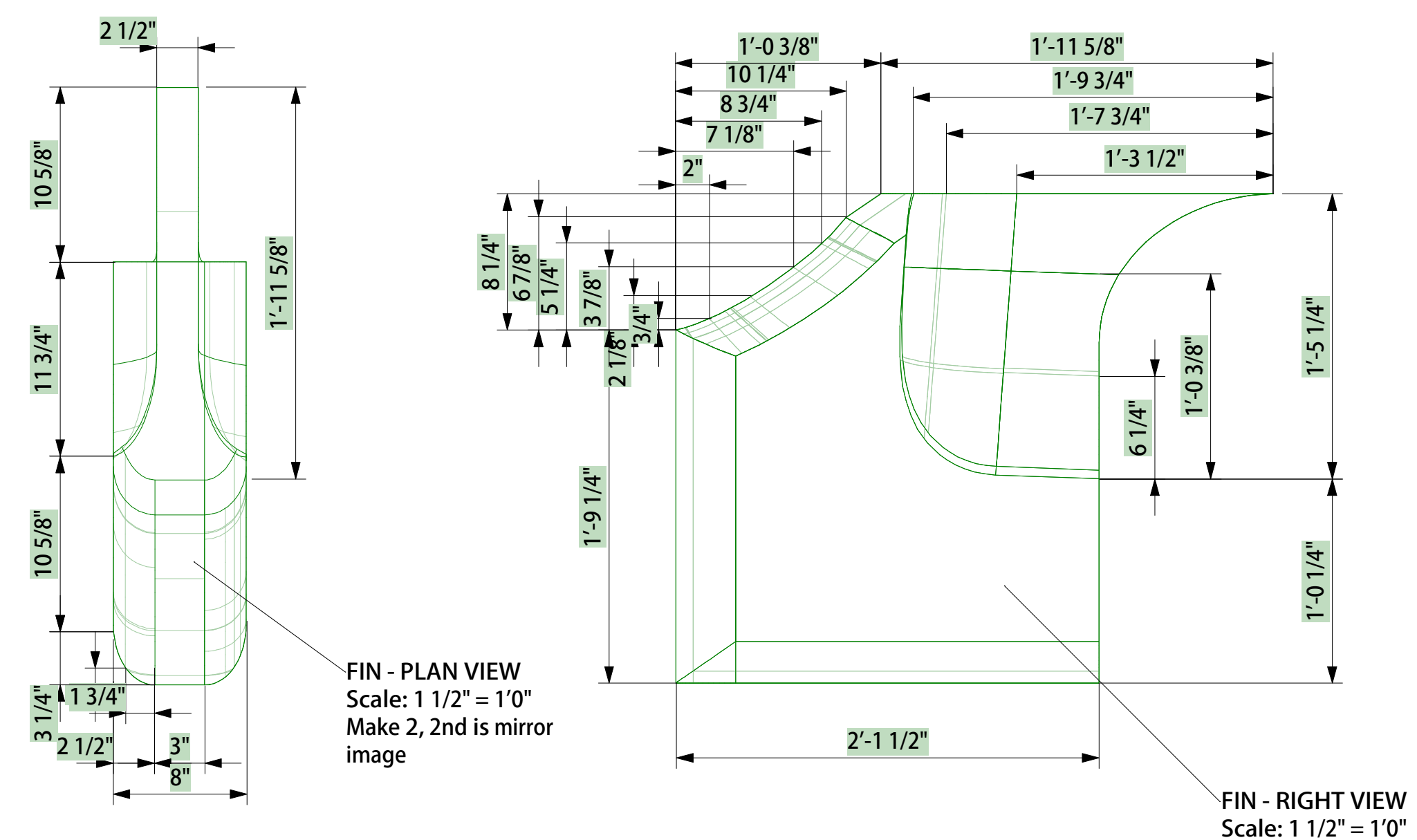
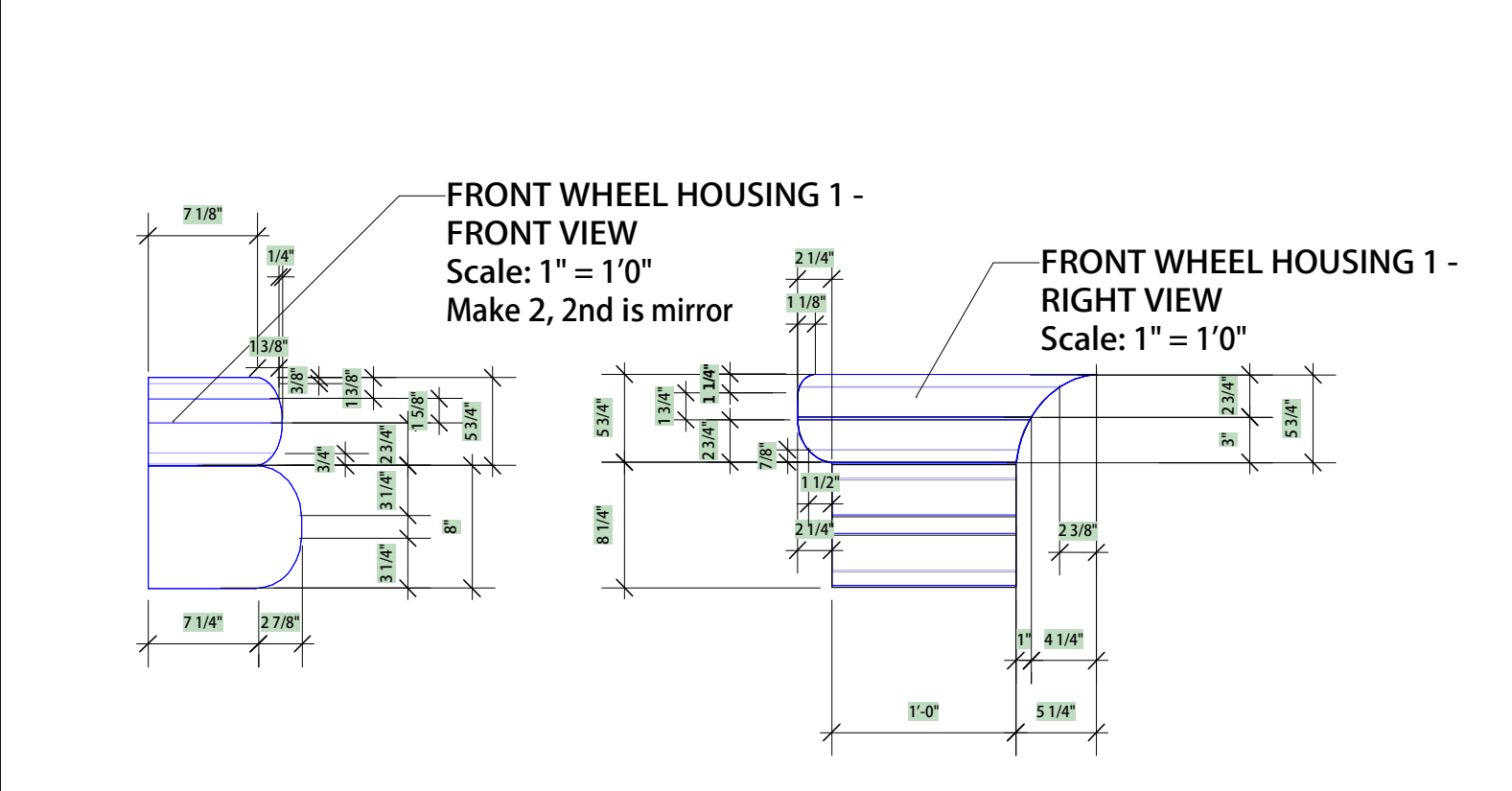
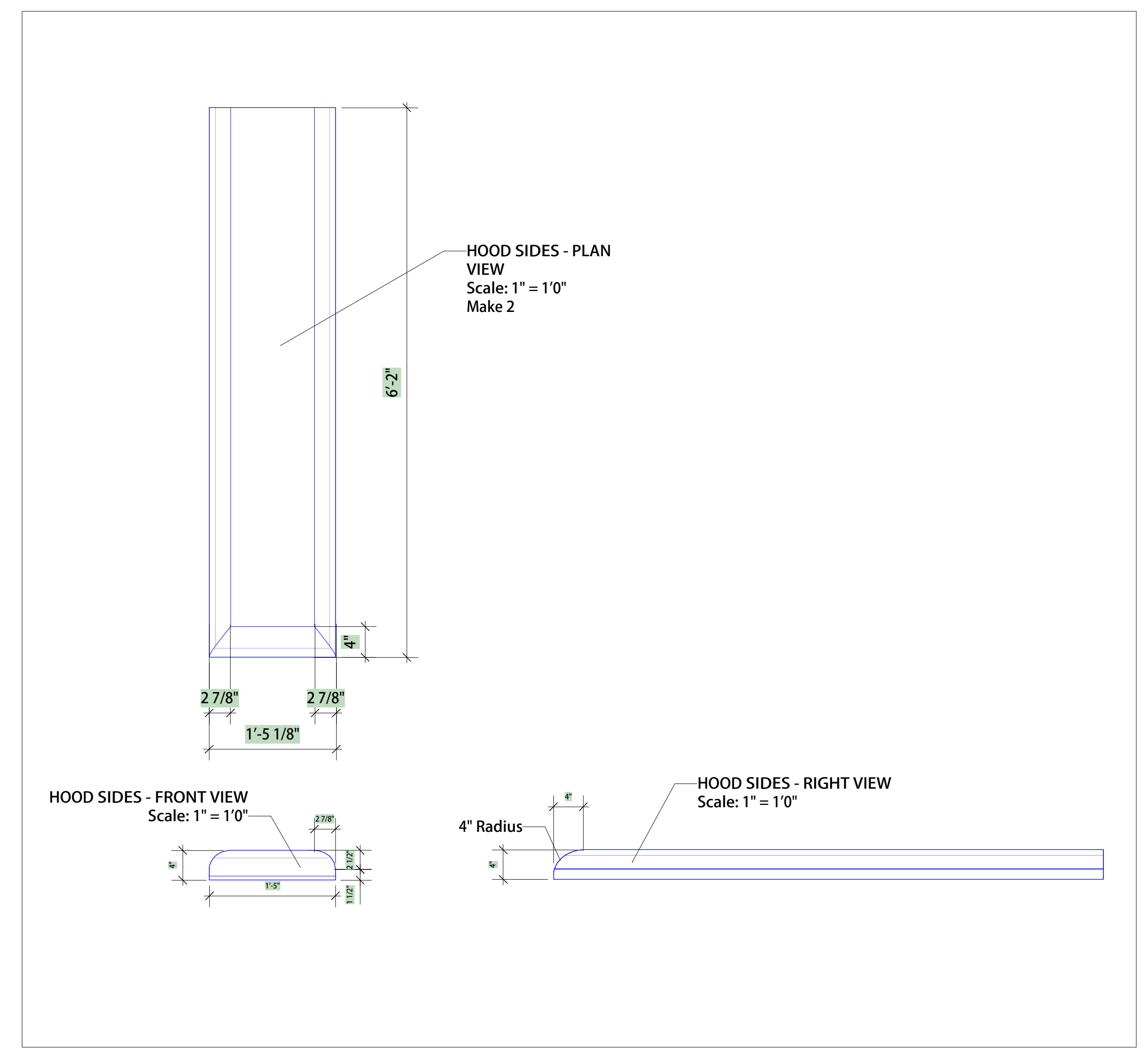
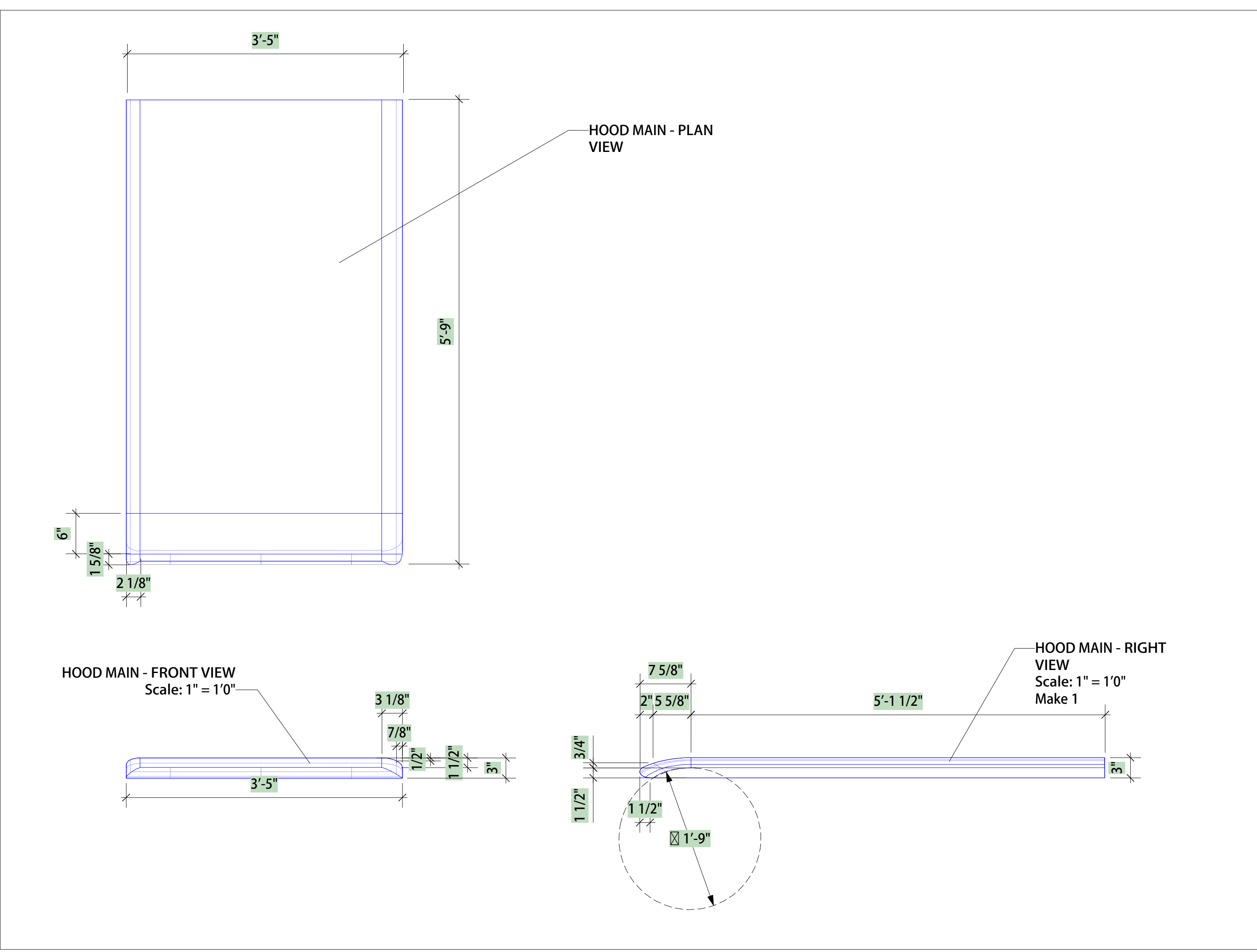
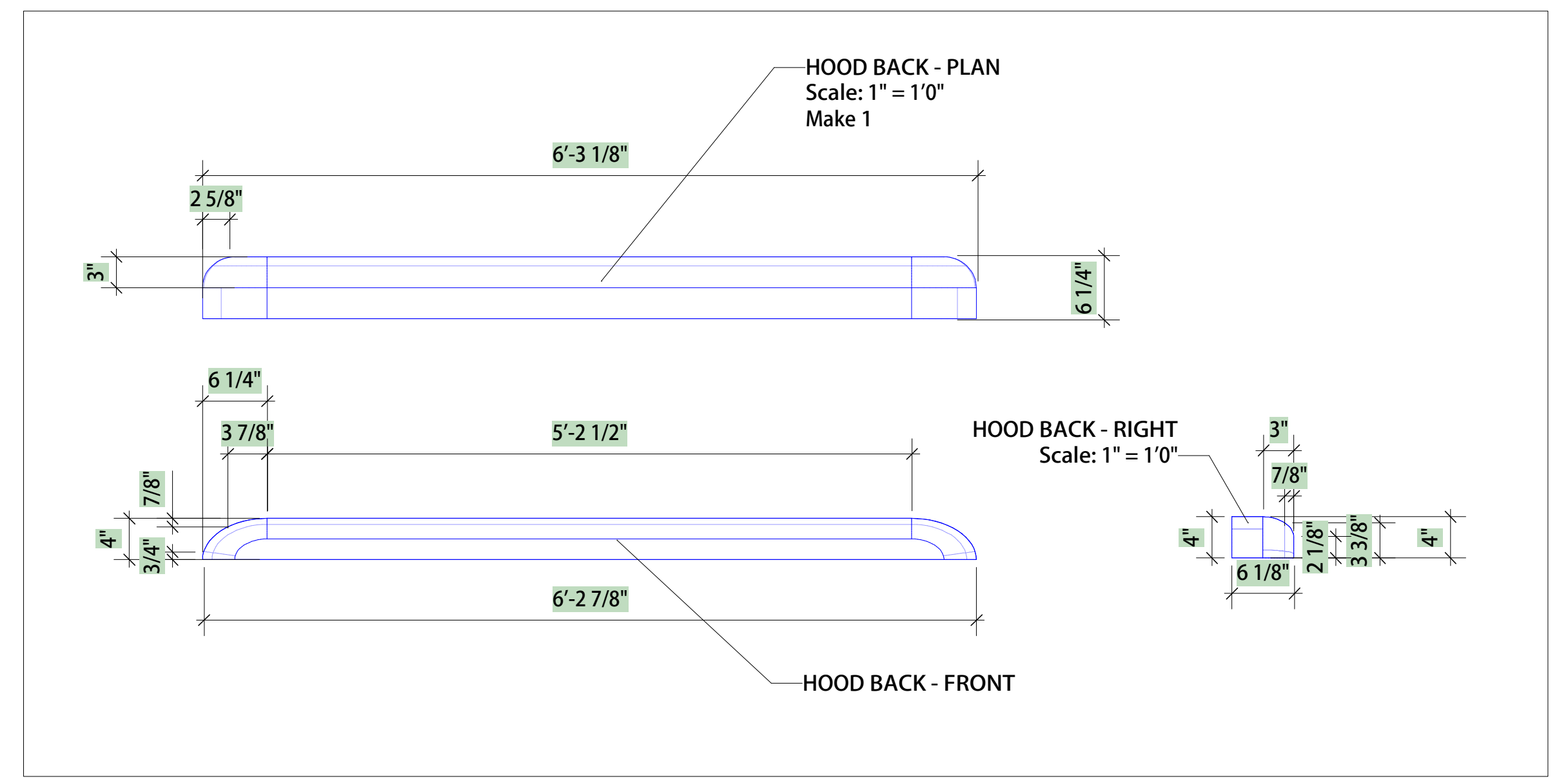
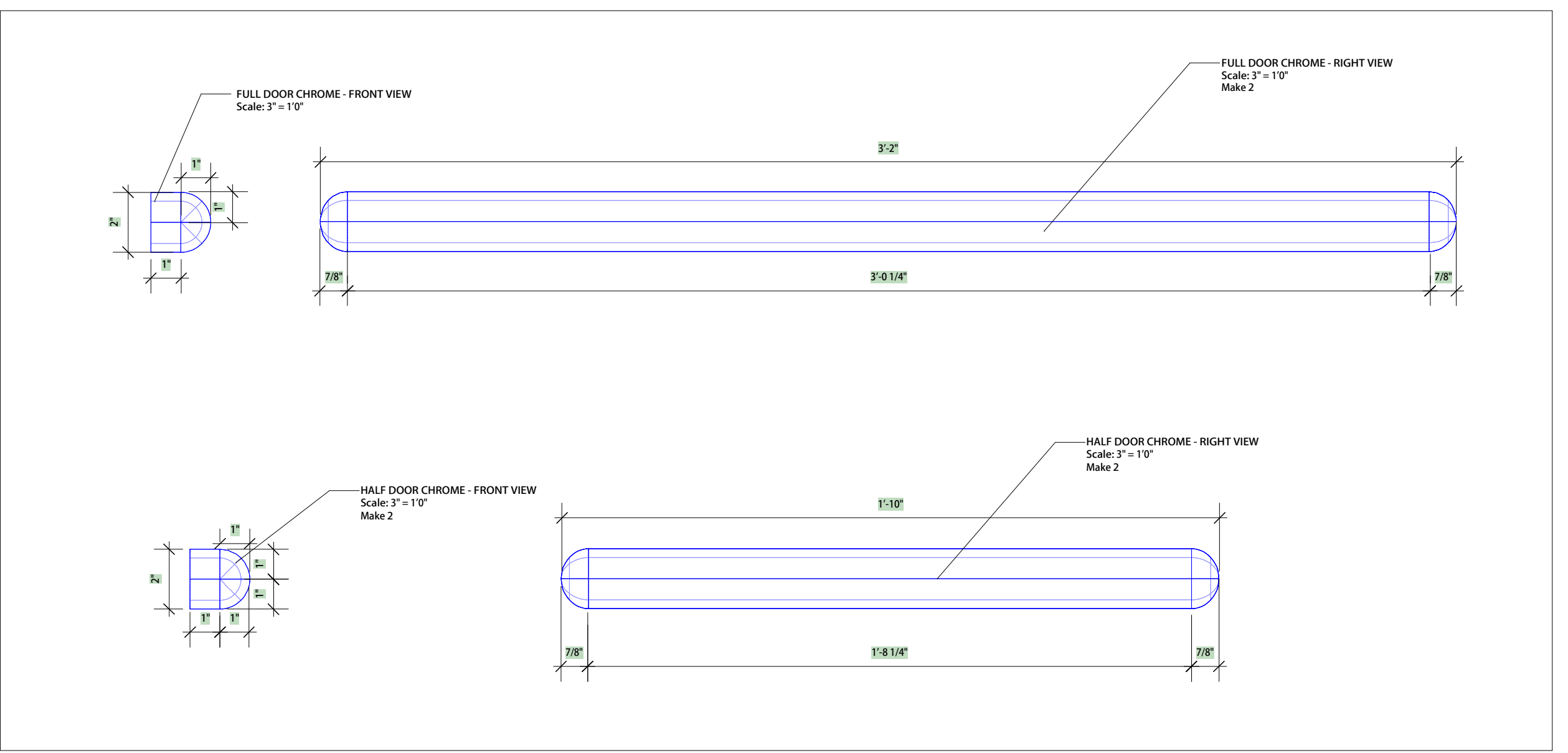
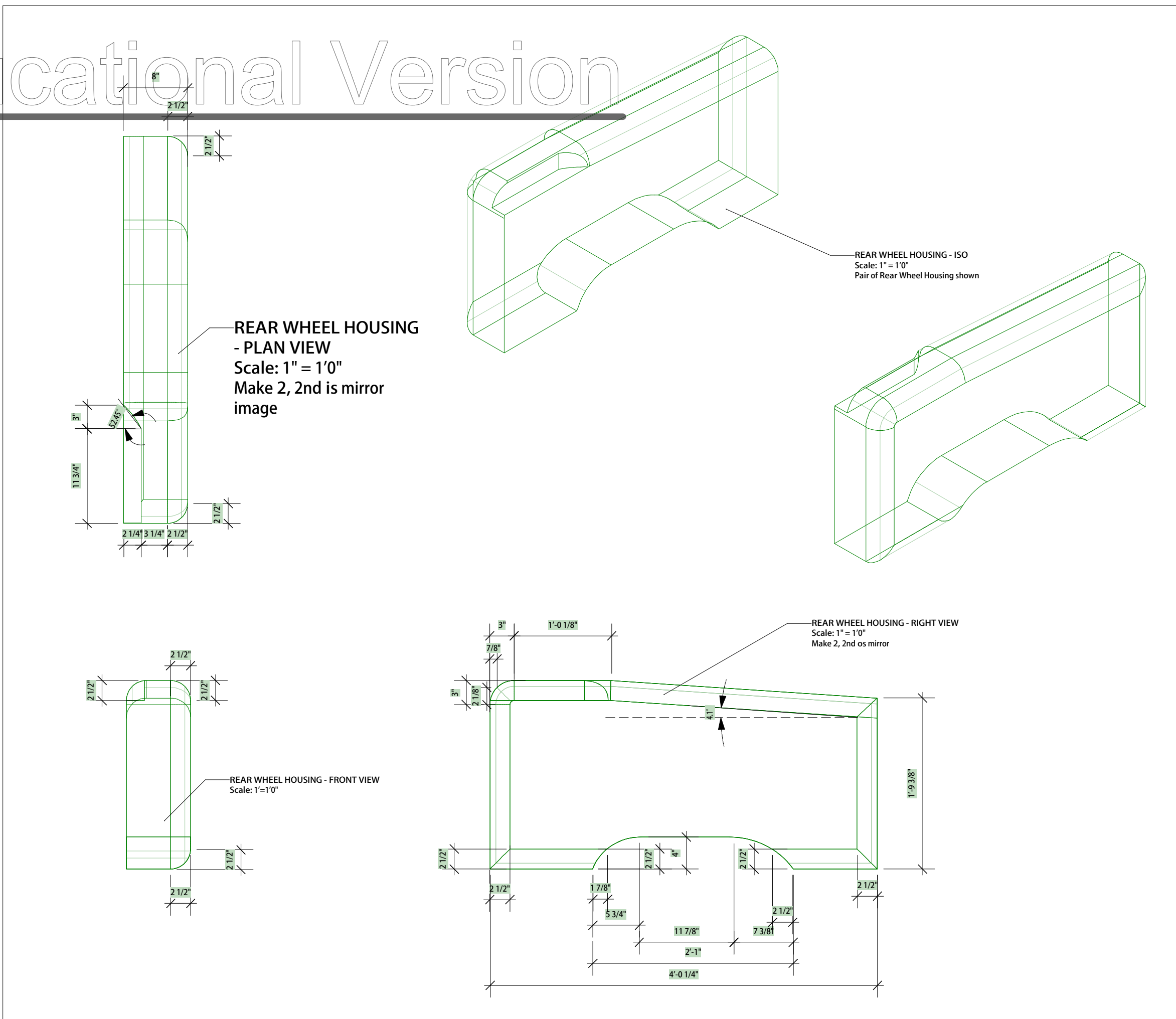
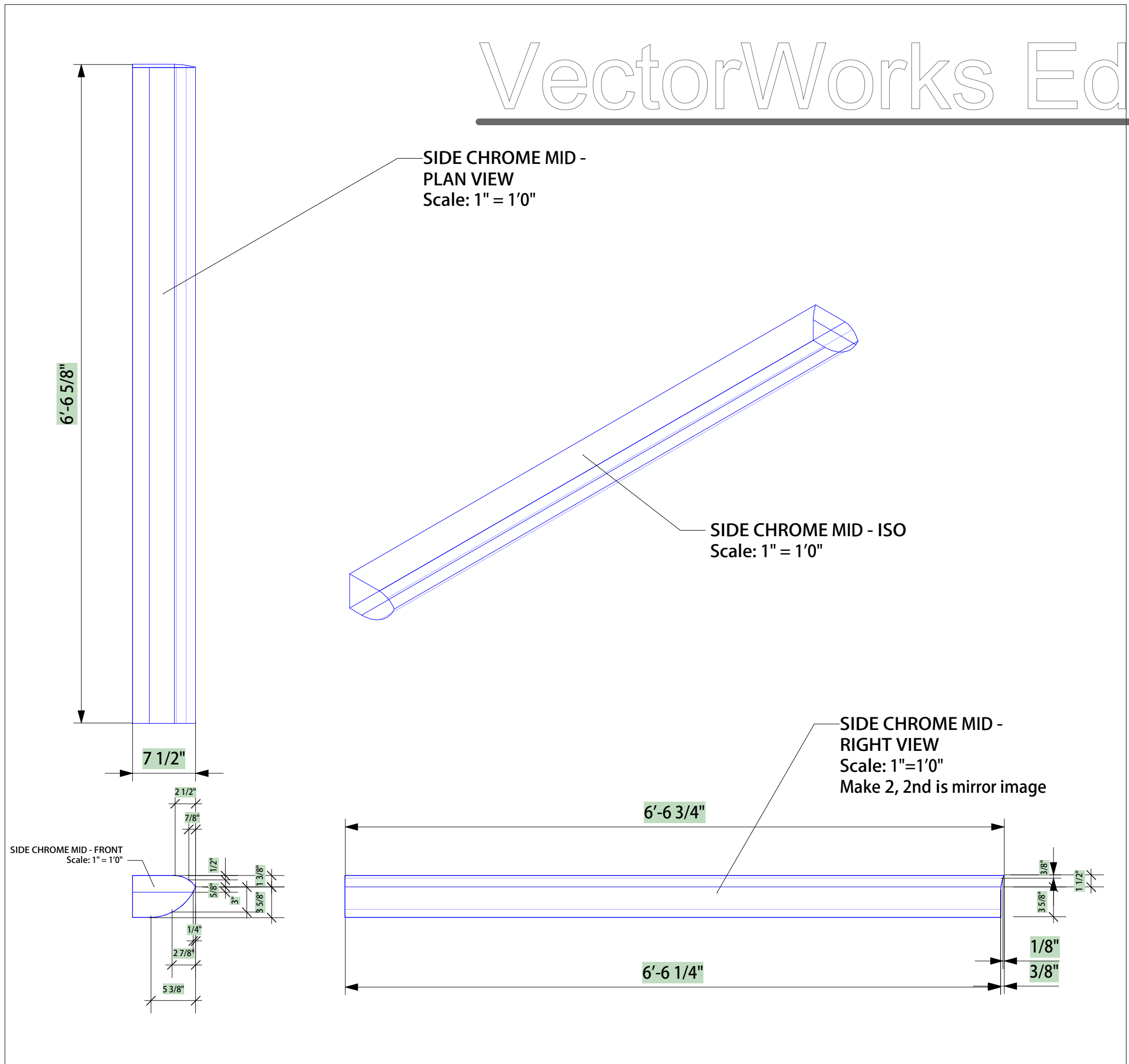
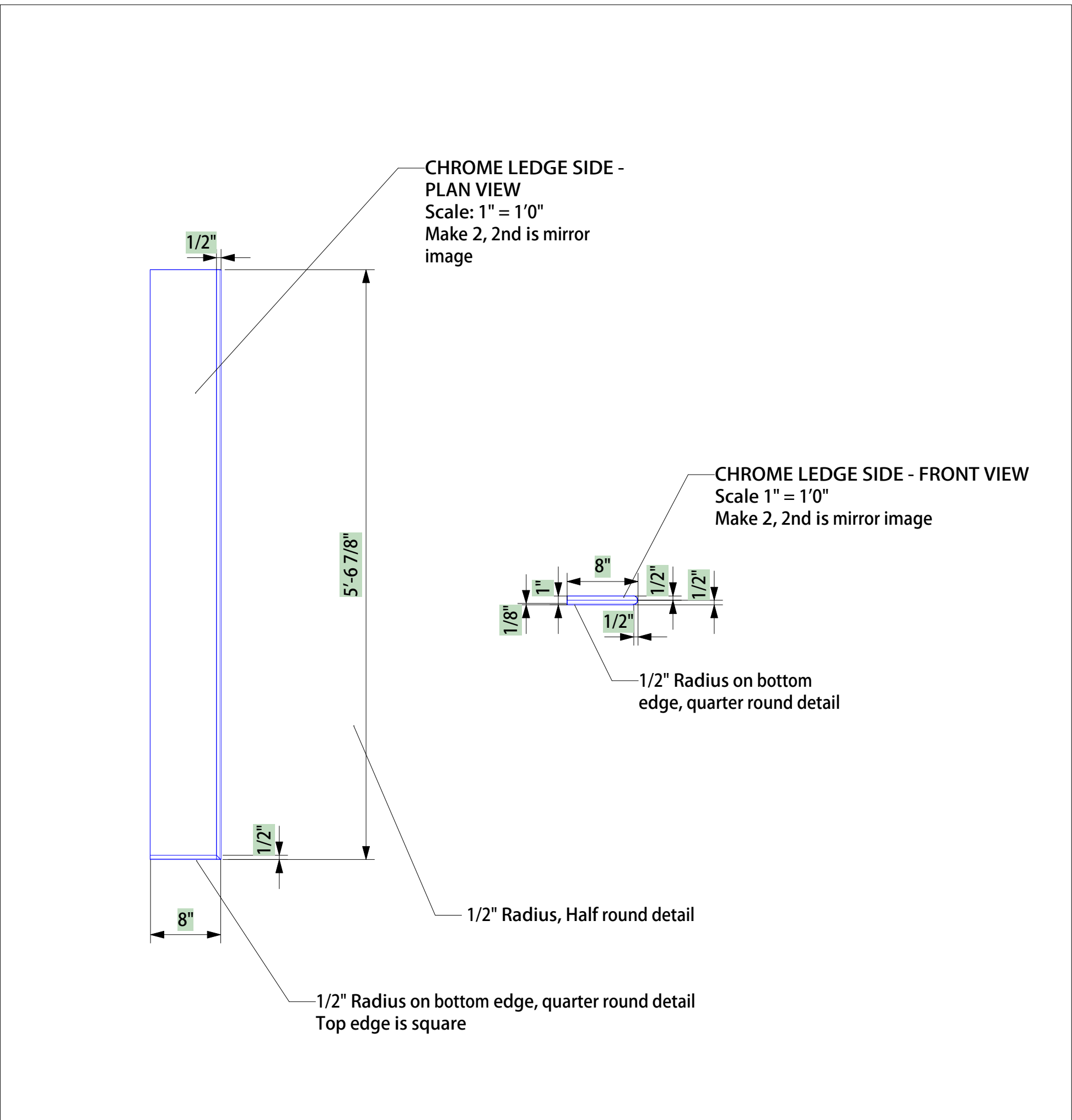


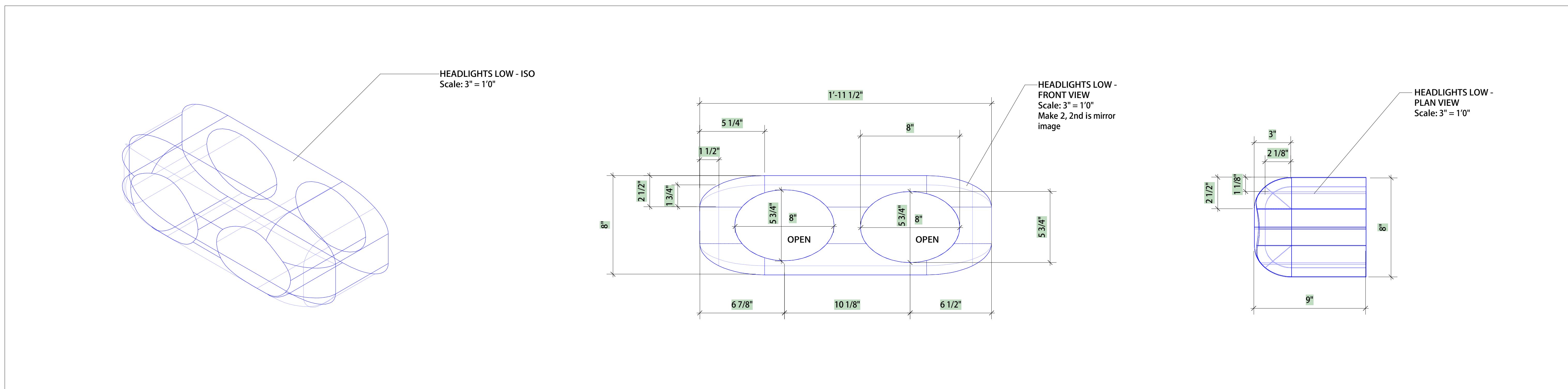
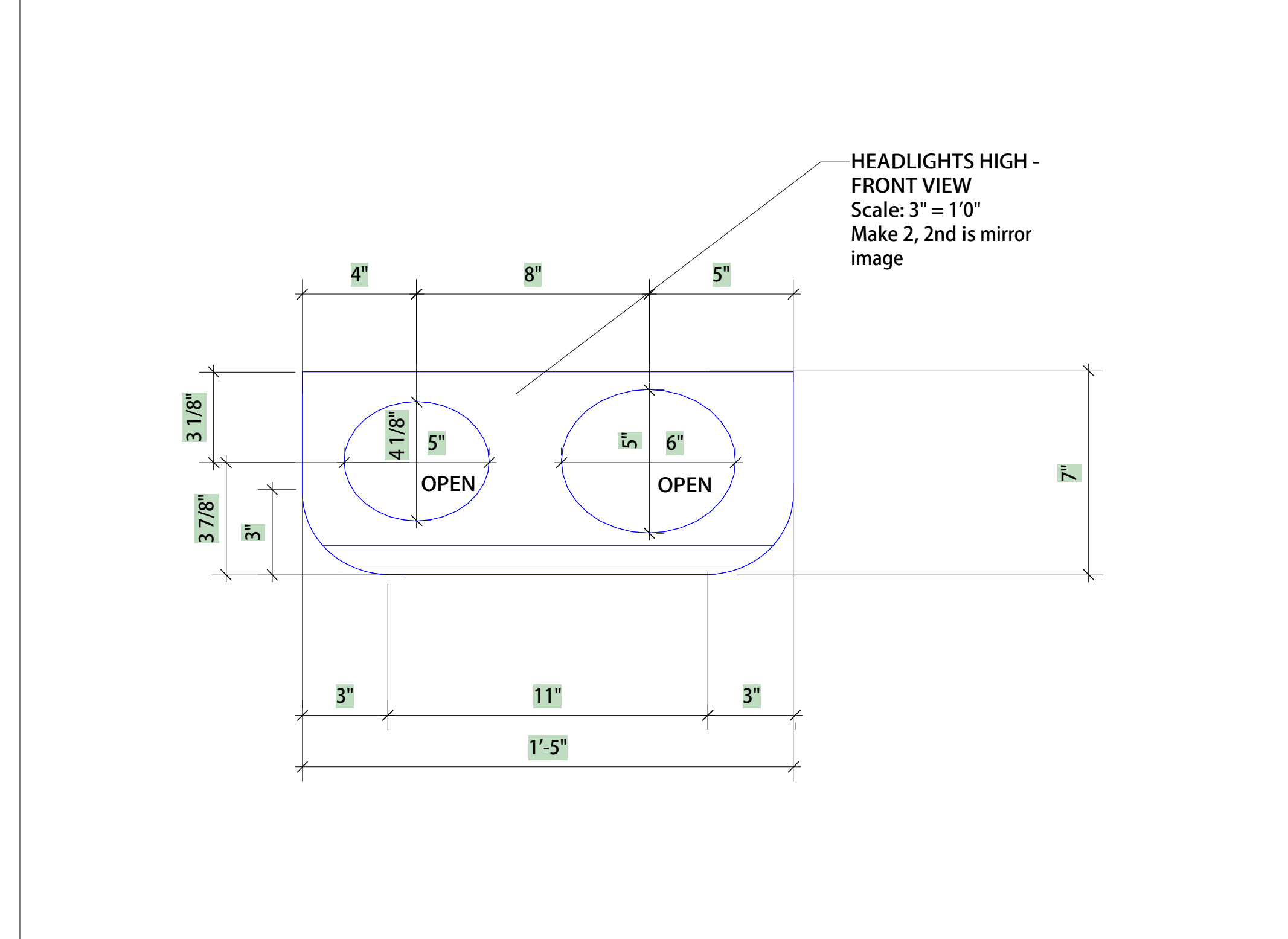
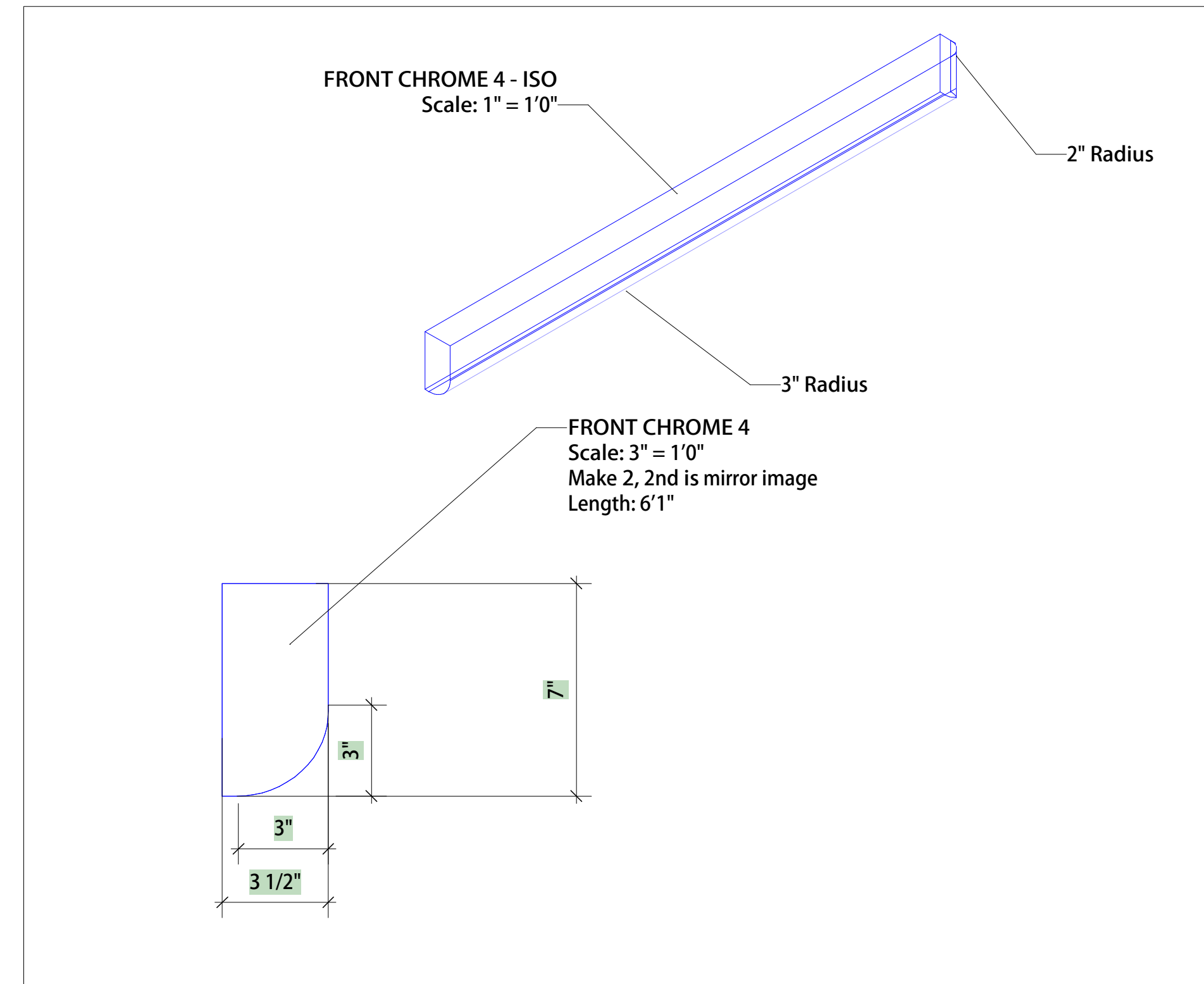
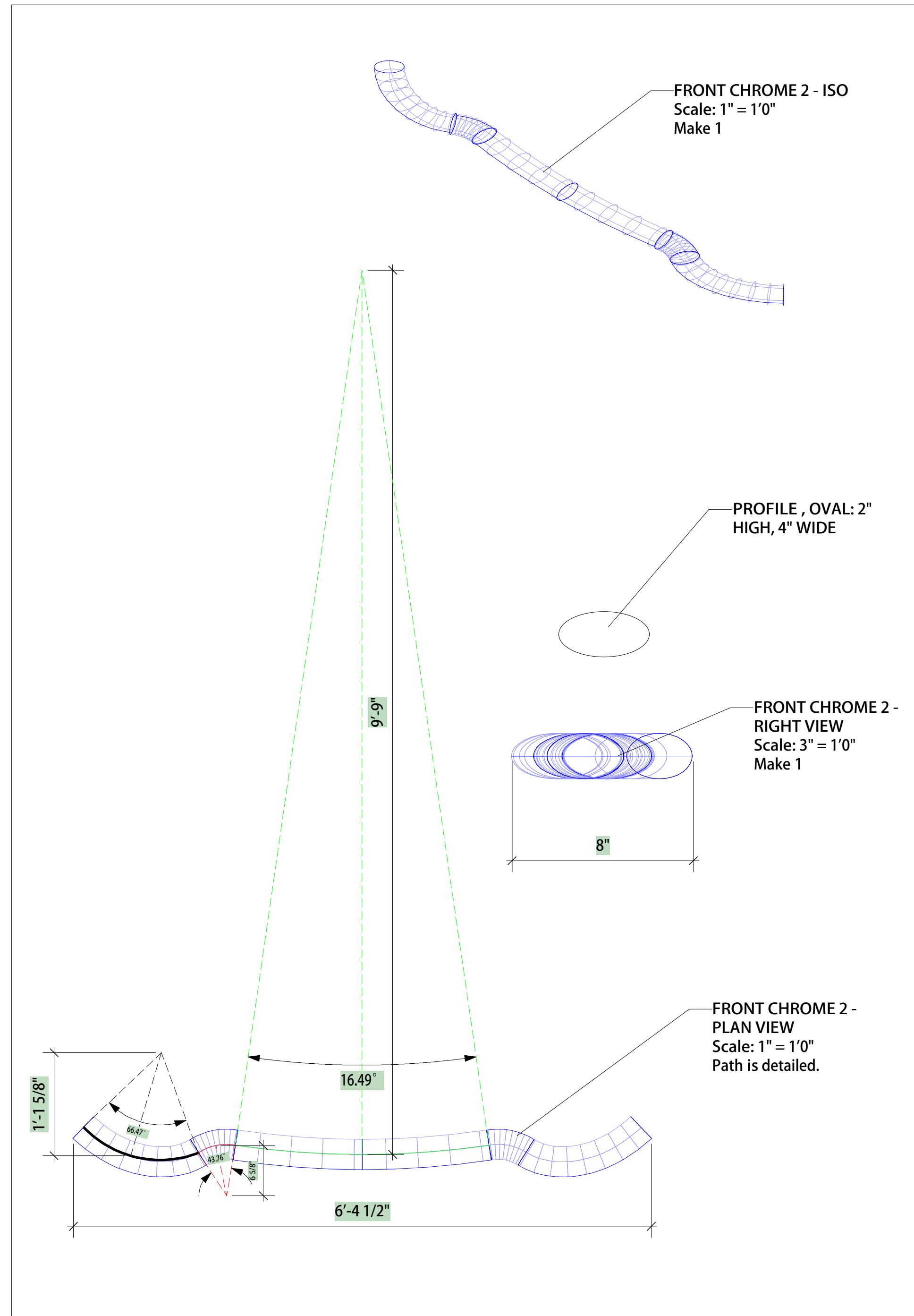
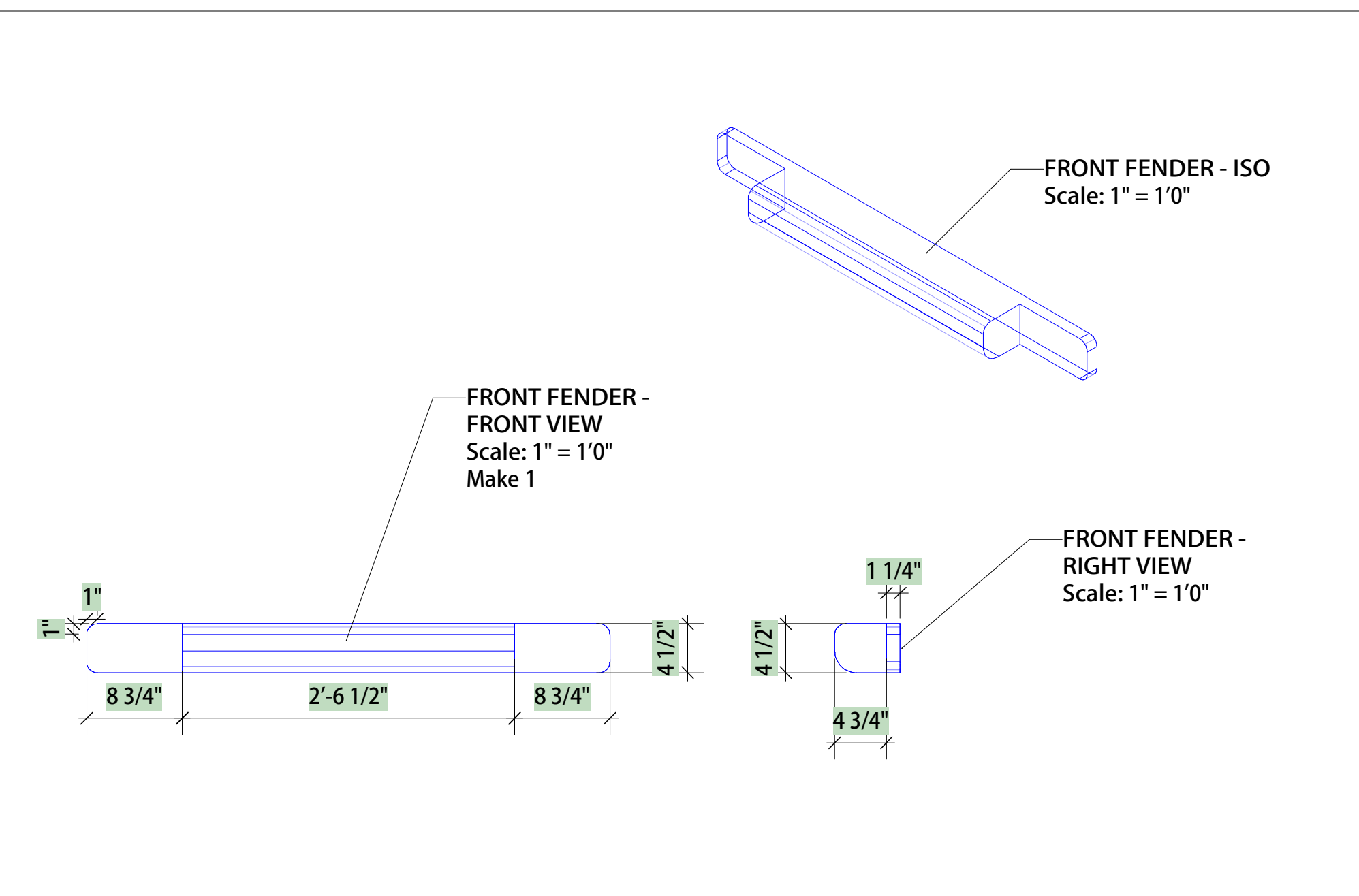
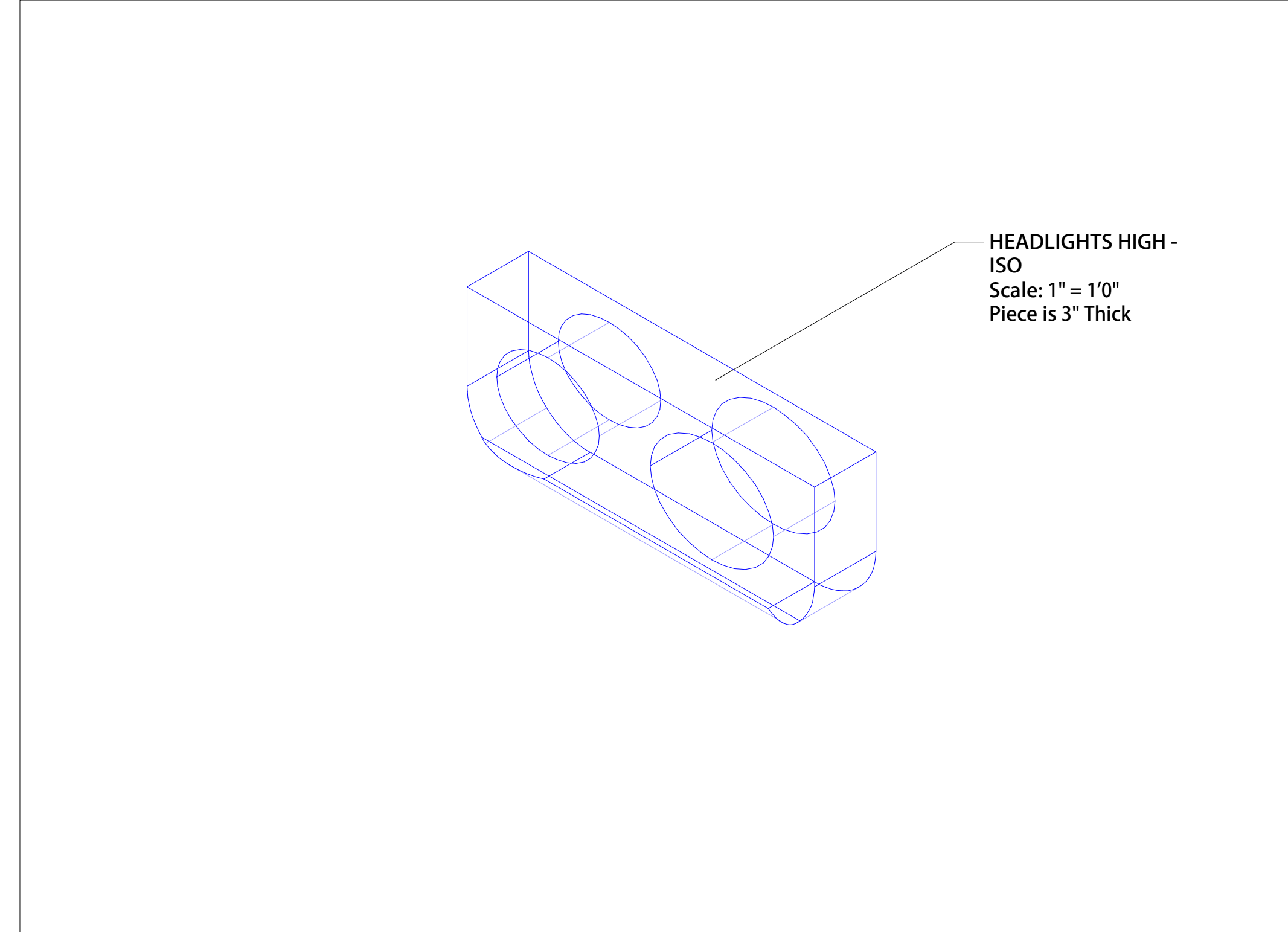
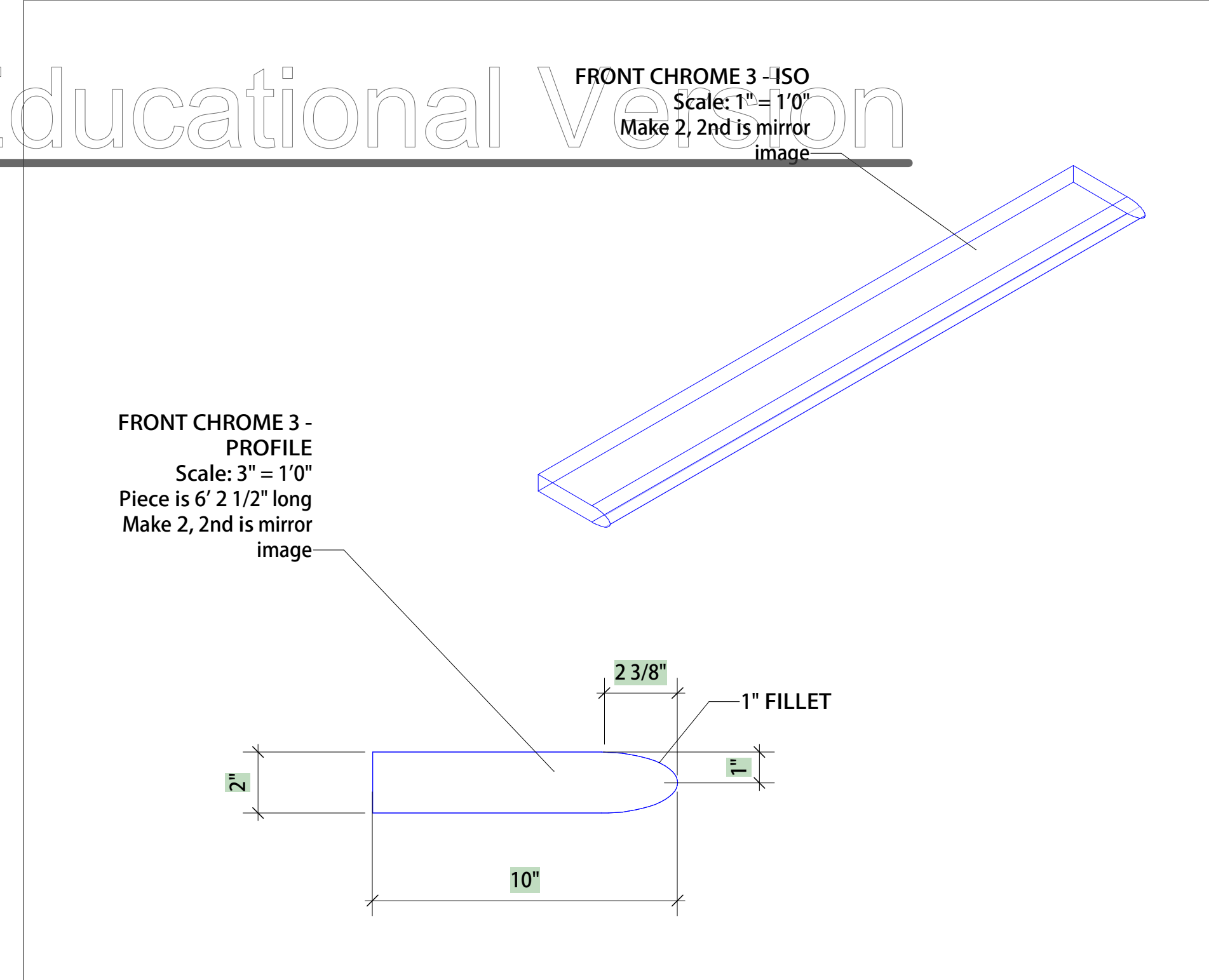
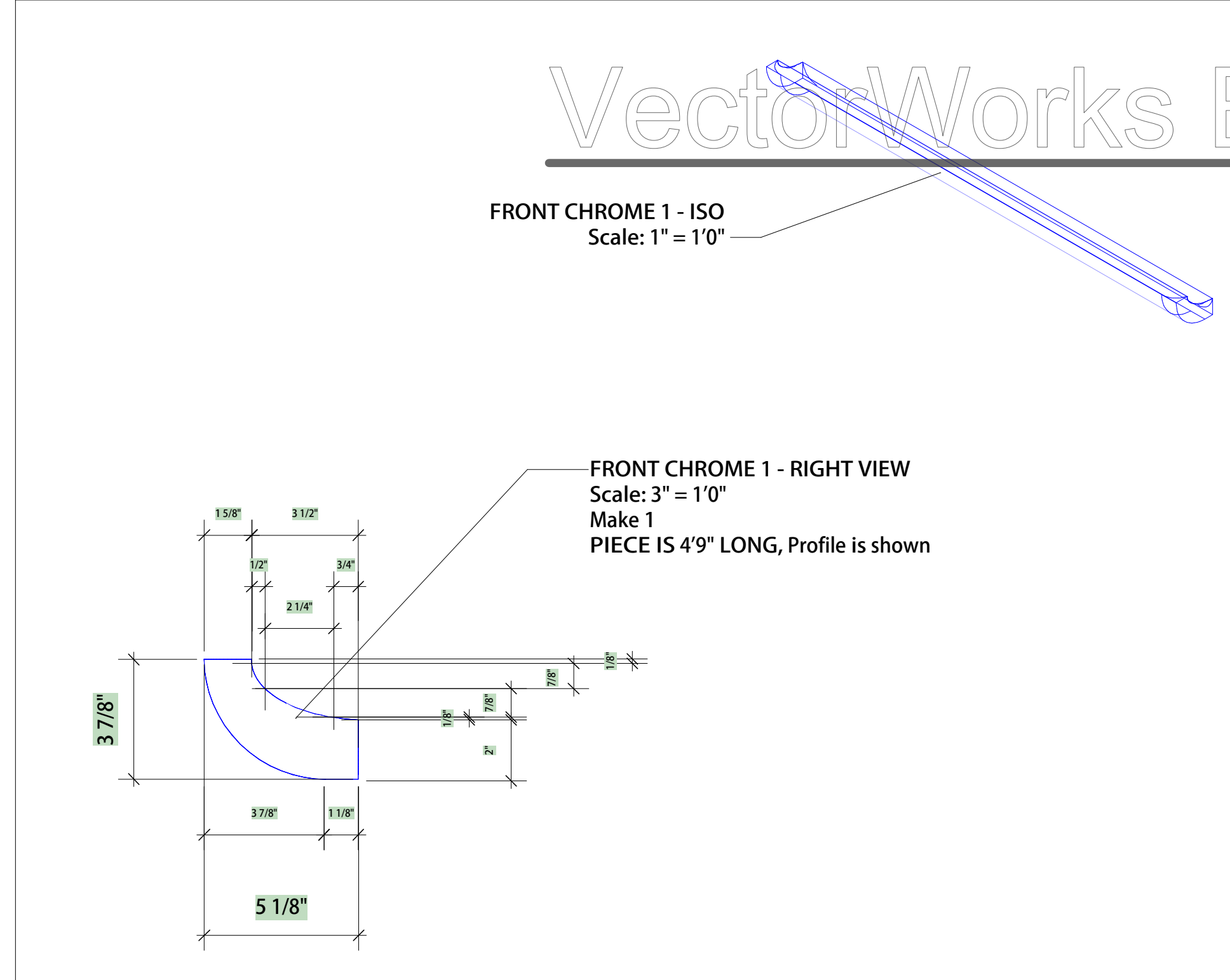
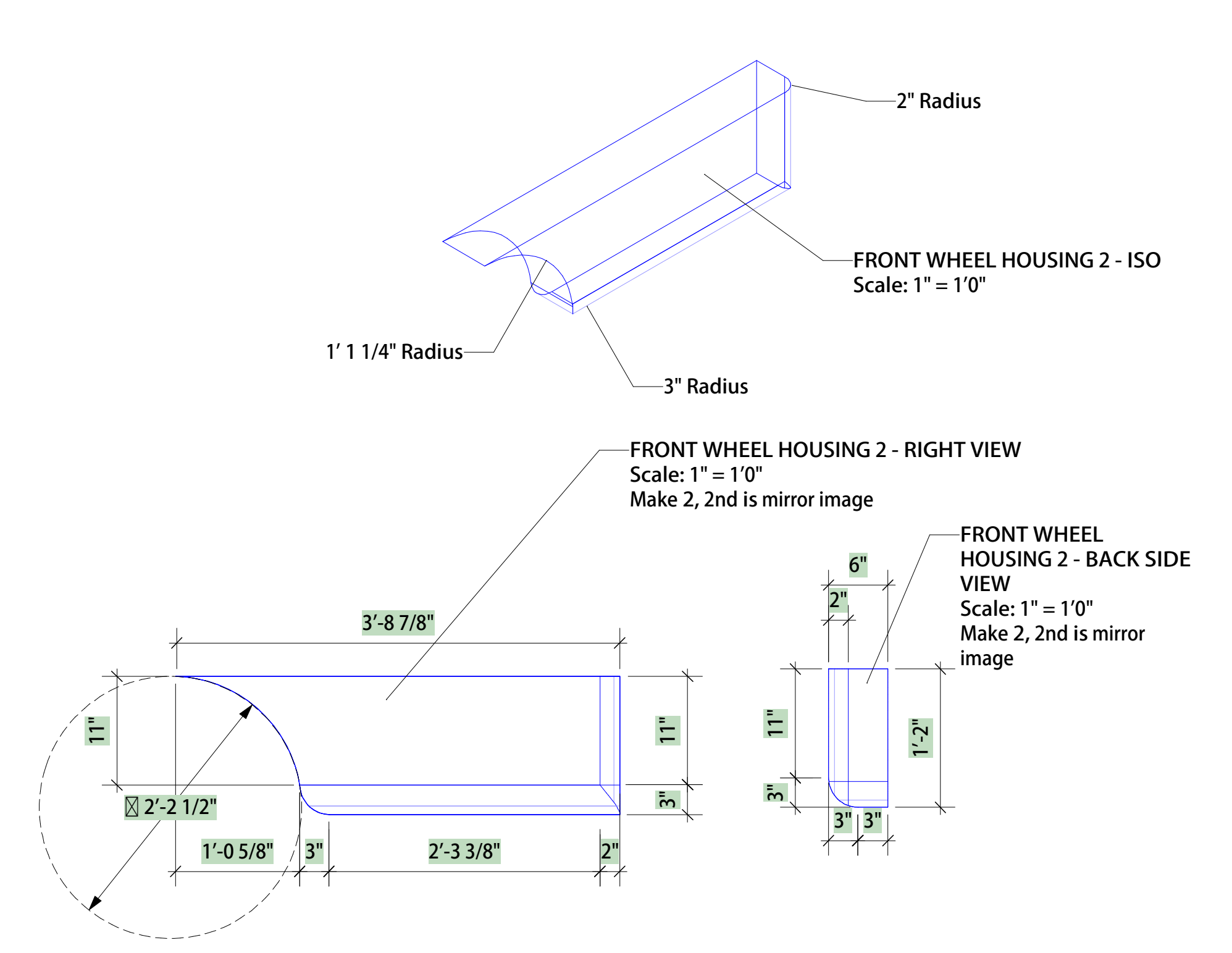
Production Title		ALL SHOOK UP	
Drawing Title		FOAM CADILLAC ELEMENTS	
Designer	LYNNE KOSCIELNIAK	Director	RANDY KRAMER
Drawn By	LYNNE KOSCIELNIAK	Scale	AS NOTED
Venue	ARTPARK	Drawing No.	2
Date	07/19/10		of
CAD File Name	CADILLAC PIECES		5



Production Title		ALL SHOOK UP	
Drawing Title		FOAM CADILLAC ELEMENTS	
Designer	LYNNE KOSCIELNIAK	Director	RANDY KRAMER
Drawn By	LYNNE KOSCIELNIAK	Scale	AS NOTED
Venue	ARTPARK	Drawing No.	3
Date	06/20/10		of
CAD File Name	CADILLAC PIECES		5



Production Title		ALL SHOOK UP	
Drawing Title			
CADILLAC FOAM ELEMENTS			
Designer	LYNNE KOSCIELNIAK	Director	RANDY KRAMER
Drawn By	LYNNE KOSCIELNIAK	Scale	AS NOTED
Venue	ARTPARK	Drawing No.	
Date	07/23/10		
CAD File Name	CADILLAC PIECES		
		4 of 5	



Production Title		ALL SHOOK UP	
Drawing Title		CADILLAC FOAM ELEMENTS	
Designer	LYNNE KOSCIELNIAK	Director	RANDY KRAMER
Drawn By	LYNNE KOSCIELNIAK	Scale	AS NOTED
Venue	ARTPARK	Drawing No.	5 of 5
Date	07/24/10		
CAD File Name	CADILLAC PIECES		