

ROBOTIC MACHINE TENDING CELLS work together with existing and new efficient and advanced machine tools such as CNC, lathes, etc. These cells effectively handle

1. Shorter part runs
2. Reduction in set up time
3. Higher quality demands
4. Shortages of skilled machinists

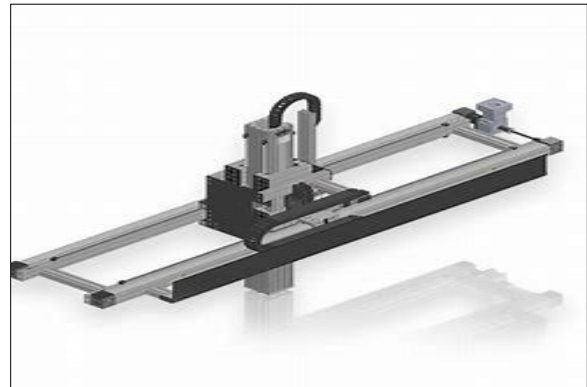
Compared with a completely manual approach, these cells increase machine tool uptime up to 60% with easy programming and utilization of Machine G- Code. These solutions enable reliable and completely predictable output from the robot and the machine tool.

Sunshine Automation & Tooling has focused on this market for over 25 years. We are a certified ABB Robotic Value Partner (Integrator) for standard modular machine tool cells as well as purpose-built systems. We have complete design/build/integration capabilities with our own in-house machining centers to deliver your solution on-time and on budget.

We would be pleased to work with you and your team to find solutions to your production processes. Our dedicated team can help you automate your downstream process such as polishing and buffing, material handling and packaging. Please phone us at 941.351.6330. We would be grateful to hear from you.



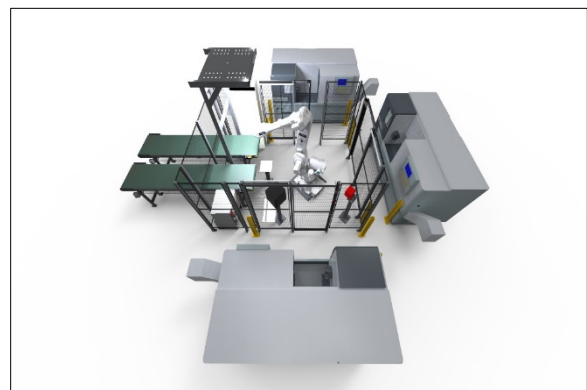
2-Sided Robotic Machine Tending Cell



2-Axis Gantry for Material Handling of Components



Robot Feeding Parts In & Out of CNC Machine



Robot Servicing 3 Machining Centers In & Out Feeds



7245 16th Street East, Suite 114 • Sarasota, FL 34243

P: 941.351.6330 • F: 941.894.1069

Sunshine-Automation.com

Offices in Sarasota, Atlanta & Memphis

