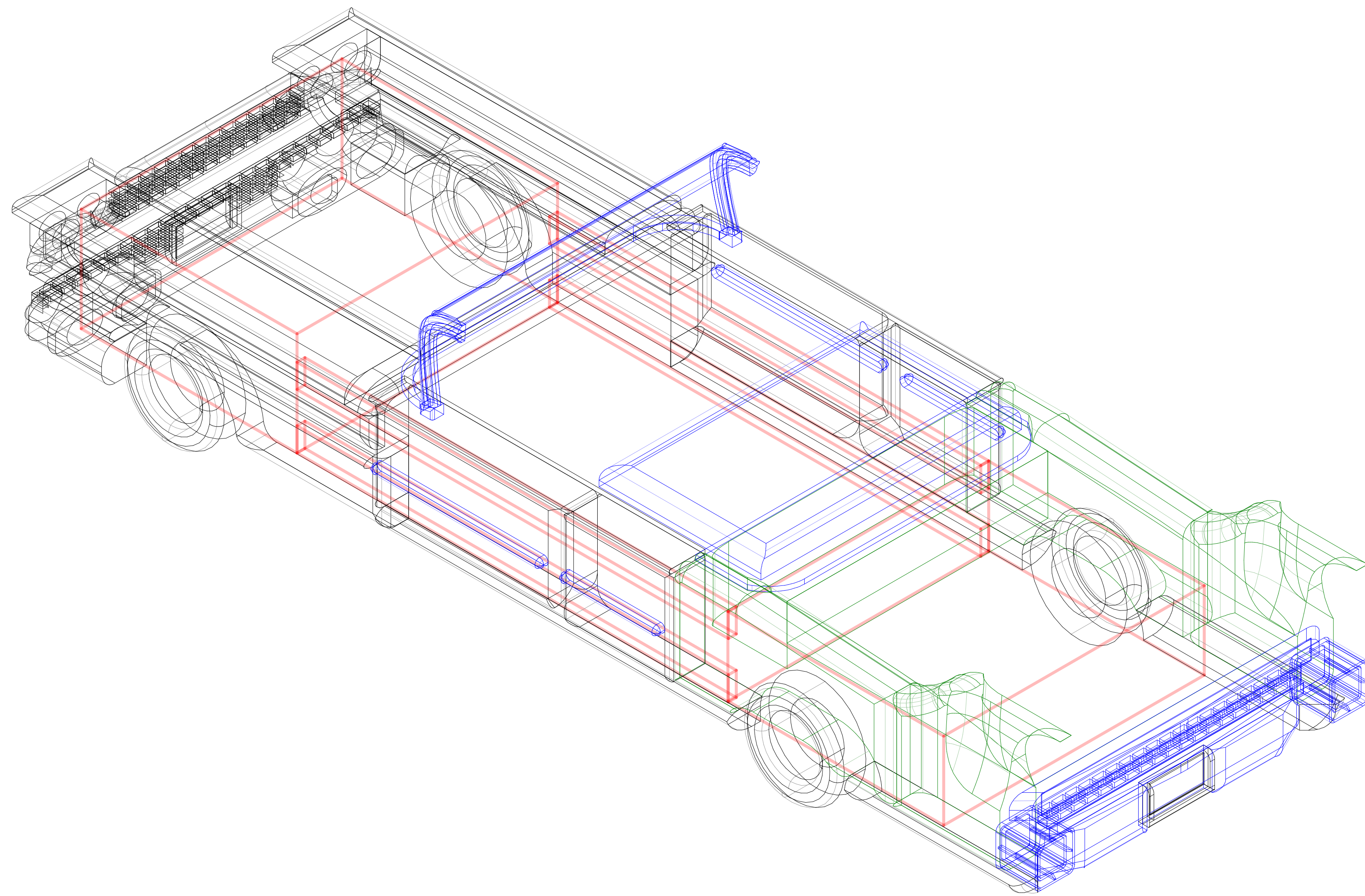
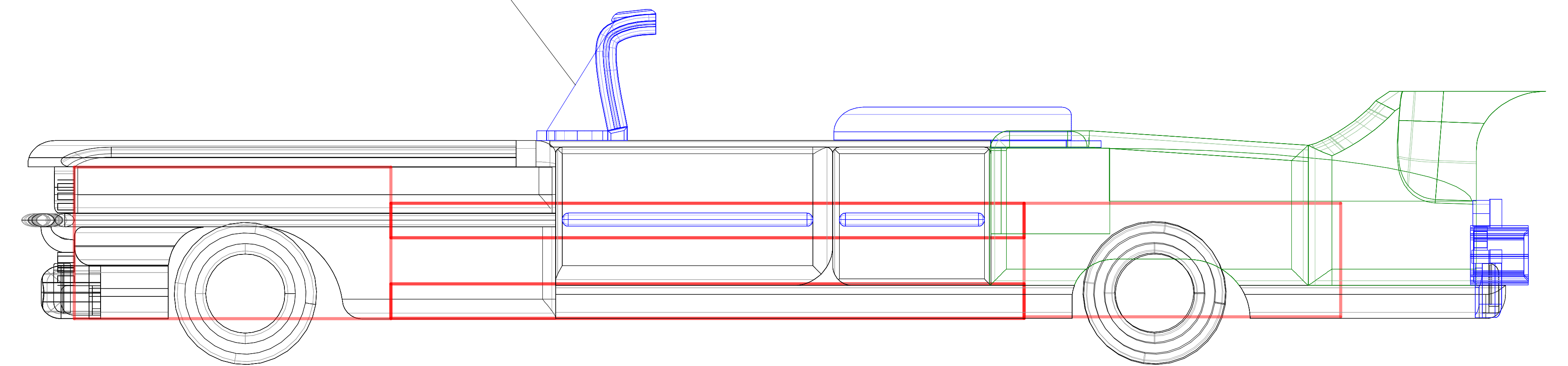


CASTERED CUBES ARE 4'10" in depth

PLEXIGLASS: 5'3" X 1'8"



Production Title		ALL SHOOK UP	
Drawing Title		FOAM CADILLAC ELEMENTS CAR WITH FRAME	
Designer	Director		
LYNNE KOSCIELNIAK	RANDY KRAMER		
Drawn By	Scale		
LYNNE KOSCIELNIAK	1"=1'-0"		
Venue	Drawing No.		
ARTPARK	1		
Date		_____ of _____	
07/15/10			
CAD File Name		5	
7.15.10			