

Lesson 23 Additional Lesson Extension



Discovering

Materials:

- Reproducible: Stations of the Cross pictures
- plastic Easter eggs
- permanent markers
- basket to carry eggs
- scissors

Way of the Cross

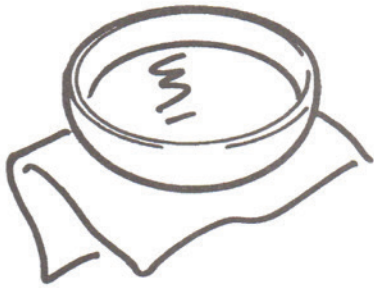
Prior to the session, cut out the items on the Stations of the Cross Pictures reproducible, laminate them if desired, and place them in the plastic eggs. Label the eggs 1-15 and decorate the eggs with cross stickers. (See the grid on the next page for a detailed description of which items go with which stations.)

Explain to the children that some people were very mean to Jesus and decided to hurt him because they did not believe he was God's Son. Invite each child to take a plastic egg and invite them to the church and direct them to the Stations of the Cross. Have each child open his or her egg at the appropriate time as you talk about each station. Remember not to dwell too much on graphic details, as very young children may not be able to handle this yet. Also, remind them throughout that while this story is very sad at times, it has a happy ending.

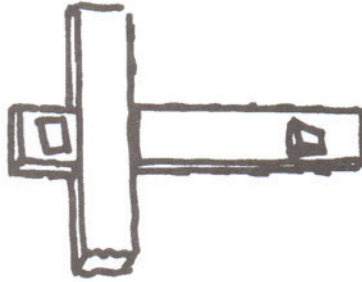
Way of the Cross

STATION #	STATION	ITEM OR PHOTO FOUND IN EGG
1	Jesus is condemned to death and Pontius Pilate washes his hands.	Wash bowl
2	Jesus takes up his cross.	Wooden cross
3	Jesus falls for the first time.	Dirt & rocks
4	Jesus meets his Blessed Mother, Mary.	Statue of Mary
5	Jesus is helped by St. Simon of Cyrene, an egg merchant.	Basket of eggs
6	Jesus' face is wiped by St. Veronica	Veil with Christ's face.
7	Jesus falls for the second time.	Dirt & rocks
8	Jesus stops to speak to the woman and children.	Mothers with their children.
9	Jesus falls for the third time.	Dirt rocks and whip.
10	Jesus is stripped of his clothing.	Tunic and dice
11	Jesus is nailed to the cross.	Hammer and nail
12	Jesus dies on the cross for our sins.	Cross with corpus
13	Jesus is taken down from the cross.	Pieta
14	Jesus is placed in the tomb.	Shroud of Turin
15	The resurrection of our Lord and Savior.	Angel

Station 1



Station 2



Station 3 (also 7 & 9)



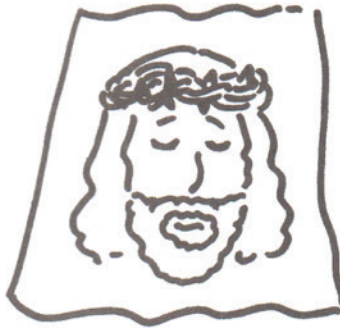
Station 4



Station 5



Station 6



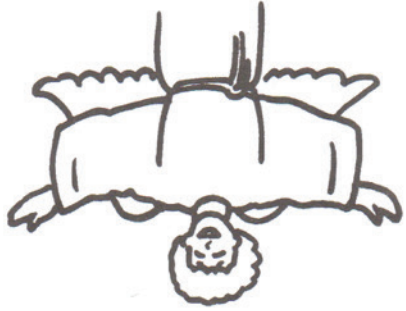
Station 7



Station 8



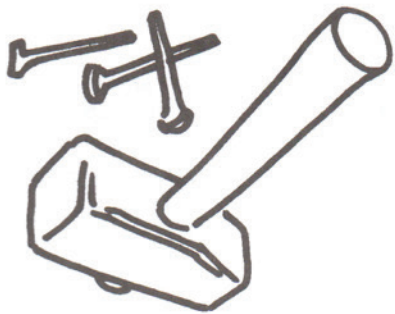
Station 15



Station 13



Station 11



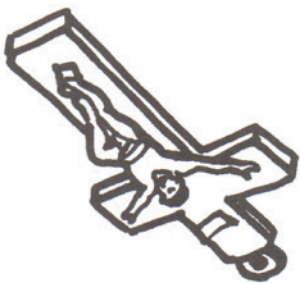
Station 9



Station 14



Station 12



Station 10

