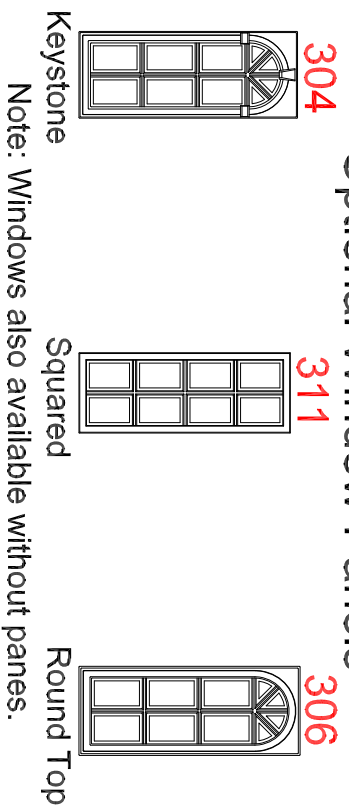
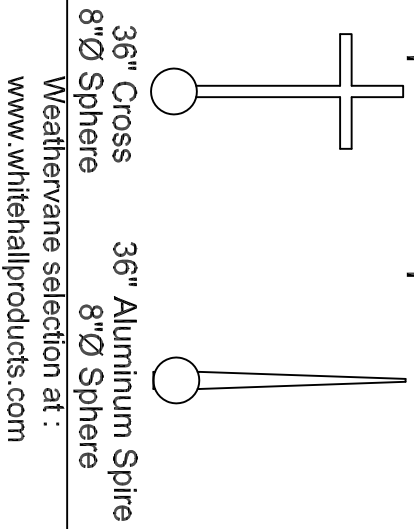


Cupola Data
 Overall Height = 6'-3"
 Base Width = 3'-8"
 Unit Weight = 125 lbs.

Optional Window Panels



Optional Cupola Finials



Base Panel: WPK comes standard with 8 K-glass windows. See above for optional window designs.

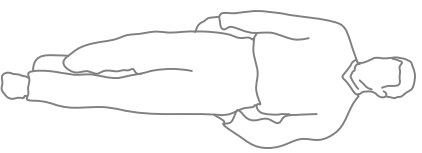
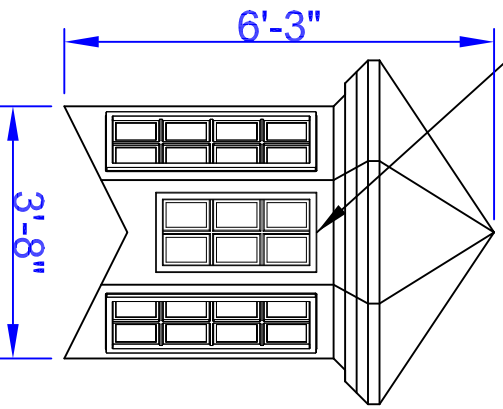
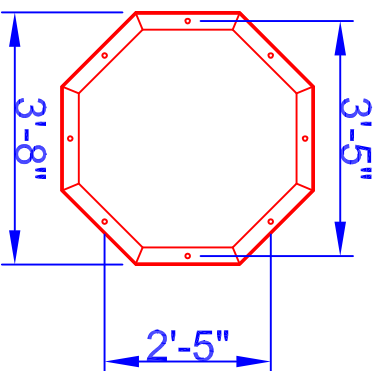


figure shown for scale reference

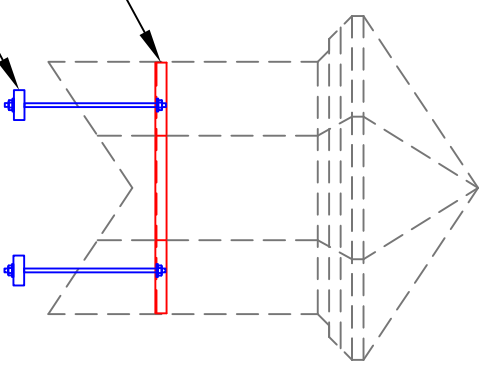


Mounting Detail

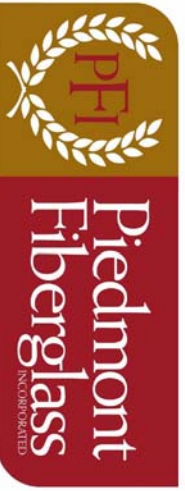
Base Anchor Plate
 2" x3" x3/16" Steel Angle
 Sealed in FRP

Anchor Rods
 Supplied by Others

Skeleton View



Note: All drawings are the property of Piedmont Fiberglass. Dimensions & designs may be altered to accommodate manufacturing.



Old Fashioned Craftsmanship With Modern Composites Technology

Piedmont Fiberglass Inc.

PO Box 1089

Taylorsville, NC 28681

Phone: 828-632-8883

Fax: 828-632-5585

www.piedmontfiberglass.com

Cupola

Model:

800-WPK

Scale: scale

Drawn By: TJD/JEM

Created On: 2/10/07

Updated On: 11/11/10