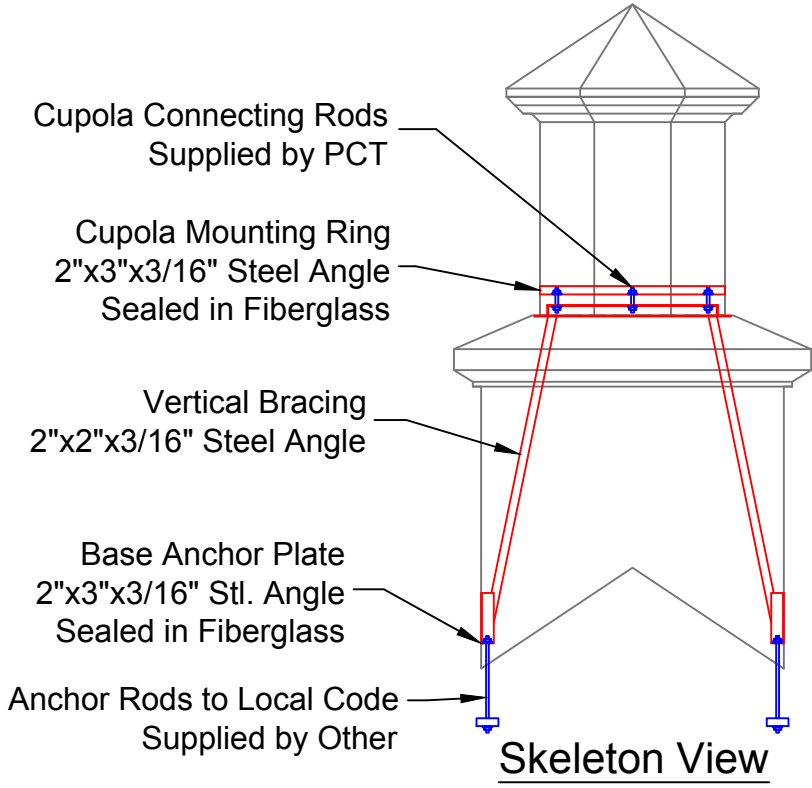
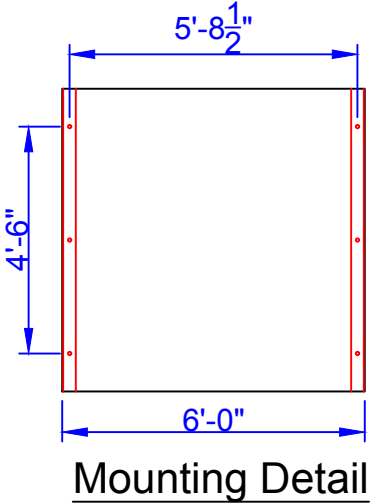
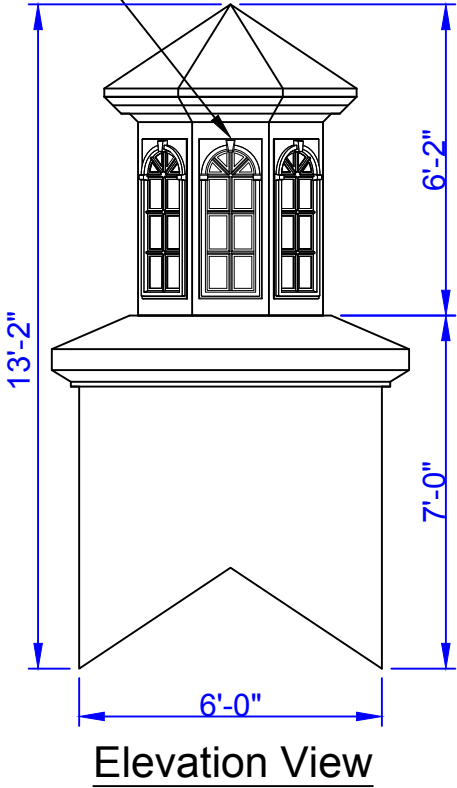
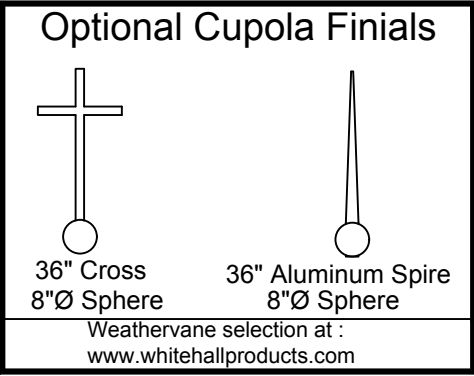
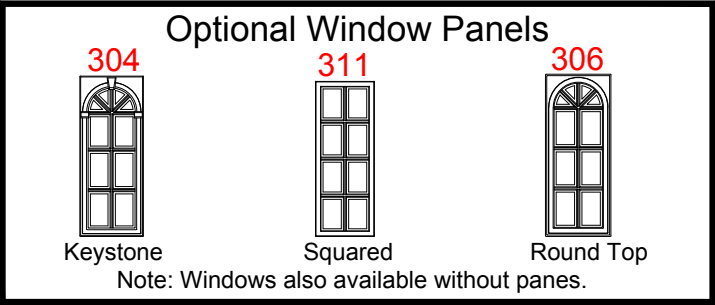


Cupola Data
 Overall Height = 13'-2"
 Base Width = 6'
 Unit Weight = 800 lbs.

Base Panel: WPK comes standard with 8 K-glass windows. See above for optional window designs.



PIEDMONT
 COMPOSITES & TOOLING

33 Lewittes Rd.
 Taylorsville, NC 28681
 Phone: 828-632-8883
 Fax: 828-632-5585
 www.piedmontcomposites.com

Model :

CUPOLA

860WPK

Scale:
N/A

Drawn by:
C.BOTHOS

Created On
-

Updated On
03/27/19

Note: All drawings are the property of Piedmont Composites & Tooling, LLC. Variation in material thickness, dimension and weight may occur. PCT reserves the right to change or modify design at anytime without notice.