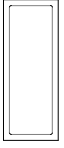



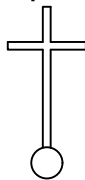



**Cupola Data**  
 Overall Height = 17' -3"  
 Base Width = 6'  
 Unit Weight = 925 lbs.

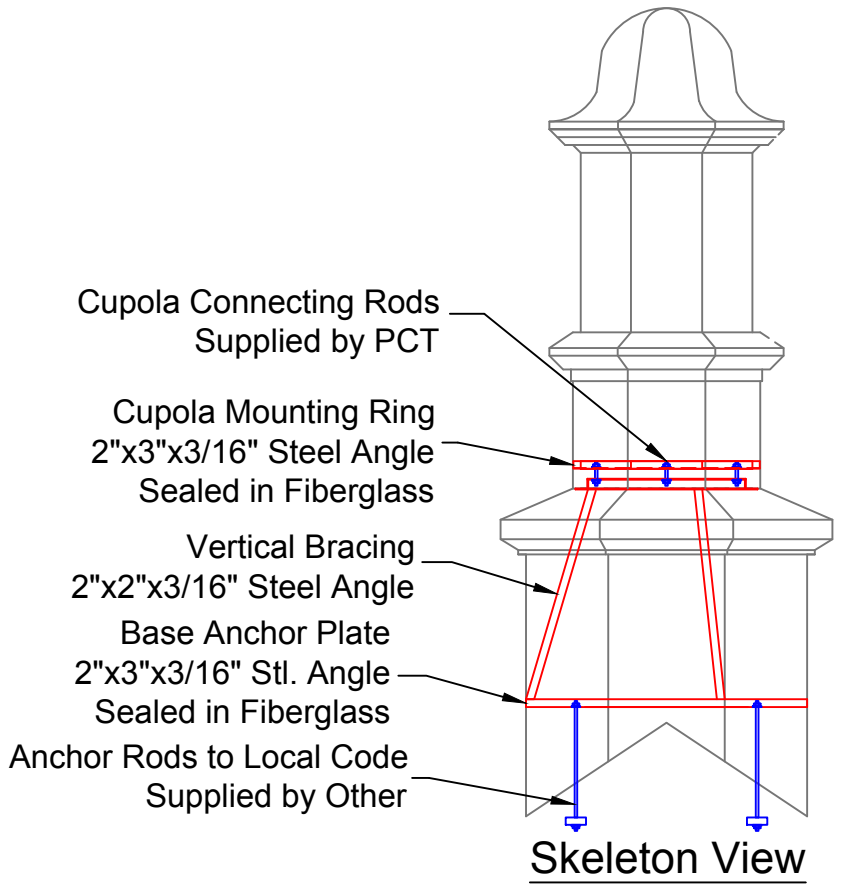
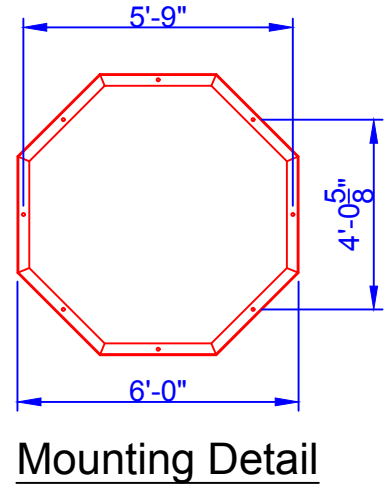
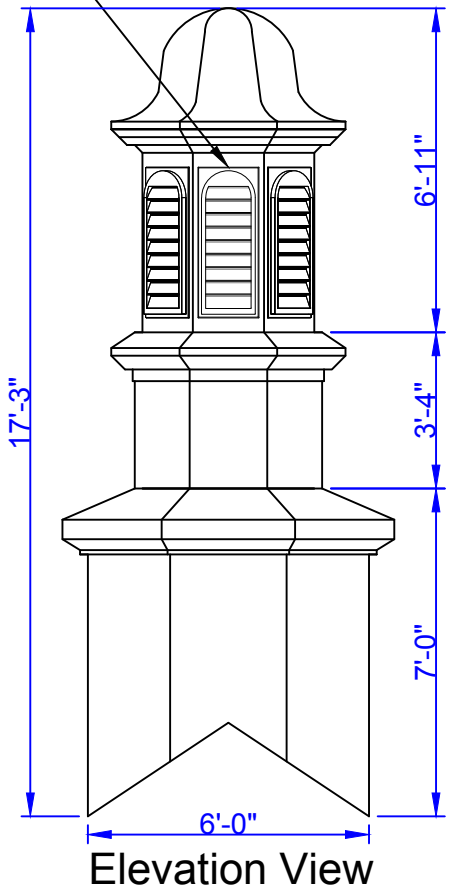
**Available Standard Panels**

<b>601</b>	<b>104</b>	<b>108</b>	<b>501</b>
			
Decorative	Sq. Louver	Round Top Louver	Scallop

**Optional Cupola Finials**

	
36" Cross 8"Ø Sphere	36" Aluminum Spire 8"Ø Sphere
Weathervane selection at : www.whitehallproducts.com	

Base Panels - See Available Options Above



33 Lewittes Rd.  
 Taylorsville, NC 28681  
 Phone: 828-632-8883  
 Fax: 828-632-5585  
 www.piedmontcomposites.com

**CUPOLA**

Model : **970LR**

Scale: N/A  
 Drawn by: C.BOTHOS  
 Created On -  
 Updated On 03/27/19

Note: All drawings are the property of Piedmont Composites & Tooling, LLC. Variation in material thickness, dimension and weight may occur. PCT reserves the right to change or modify design at anytime without notice.