

330 PN

INDOOR MODEL



Flow Modulated with Standing pilot

**Suitable for heating potable water only - Not approved for space heating purposes
(Intended for variable flow applications with steady cold water inlet temperatures)**



BOSCH



330-PN-N - for use with Natural Gas

330-PN-L - for use with Liquefied Petroleum (LP) Gas

Warning: If the information in this manual is not followed exactly, a fire or explosion may result causing property damage, personal injury or death. Do not store or use gasoline or other flammable vapor and liquids in the vicinity of this or any other appliance.

Improper installation, adjustment, alteration, service or maintenance can cause injury or property damage. Refer to this manual. For assistance or additional information consult a qualified installer, service agency or the gas supplier.

In the Commonwealth of Massachusetts this product must be installed by a licensed plumber or gas fitter.

Upon completion of the installation, these instructions should be handed to the user of the appliance for future reference.

What to do if you smell gas

- Close gas valve. Open windows.
- Do not try to light any appliance.
- Do not touch any electrical switch; do not use any phone in your building.
- Immediately call your gas supplier from a neighbor's phone. Follow the gas supplier's instructions.
- If you cannot reach your gas supplier, call the fire department.
- Installation and service must be performed by a qualified installer, service agency or the gas supplier.



Index

1	Warning	2
<hr/>		
2	Appliance details	3
2.1	330 PN specifications (Technical data)	3
2.2	Unpacking the 330 PN heater	4
2.3	General rules to follow for safe operation	4
2.4	Dimensions and installation clearances	5
<hr/>		
3	Installation instructions	6
3.1	Introduction	6
3.2	Proper location for installing your heater	6
3.3	Heater placement and clearances	6
3.4	Mounting Heater	7
3.5	Combustion air requirements	8
3.6	Venting	9
3.7	Gas piping & connections	11
3.8	Measuring gas pressure	13
3.9	Water connections	13
3.10	Recirculation application	14
<hr/>		
4	Operation instructions	14
4.1	For your safety read before operating your water heater	14
4.2	Lighting instructions	15
4.3	To turn off appliance	15
4.4	Setting the water temperature	16
4.5	Draining water from heater	16
<hr/>		
5	Maintenance and service	17
5.1	Maintenance intervals	17
5.2	Water valve	17
5.3	Pilot	17
5.4	Main burners	18
5.5	Vent assembly / heat exchanger	18
5.6	Mineral scale build-up	18
<hr/>		
6	Troubleshooting	19
6.1	Introduction	19
6.2	Pilot does not light	19
6.3	Pilot lights, but goes out when button is released	19
6.4	Pilot goes out during or after hot water use	19
6.5	Burners do not light with water flow	20
6.6	Hot water temperature fluctuates at tap	20
6.7	Water is too hot	20
6.8	Water is not hot enough	21
6.9	Burners ignite without hot water flow	21
6.10	Low hot water pressure	21
6.11	Noise when heater is running	21
6.12	Burners do not operate cleanly; yellow flames when operating	22
<hr/>		
7	Protecting the environment	23
<hr/>		
8	Interior components and diagram parts list	24
8.1	Interior components	24
8.2	Components diagram	25
8.3	Parts list	26
<hr/>		
9	Fifteen Year Limited Warranty	27

1 Warning



Warning: The heater must be isolated from the gas supply piping system during any pressure testing of that system at test pressures equal to or more than 0.5 psig.



Caution: Any changes or modifications not expressly approved by the party responsible for compliance could void the user's authority to operate the equipment.

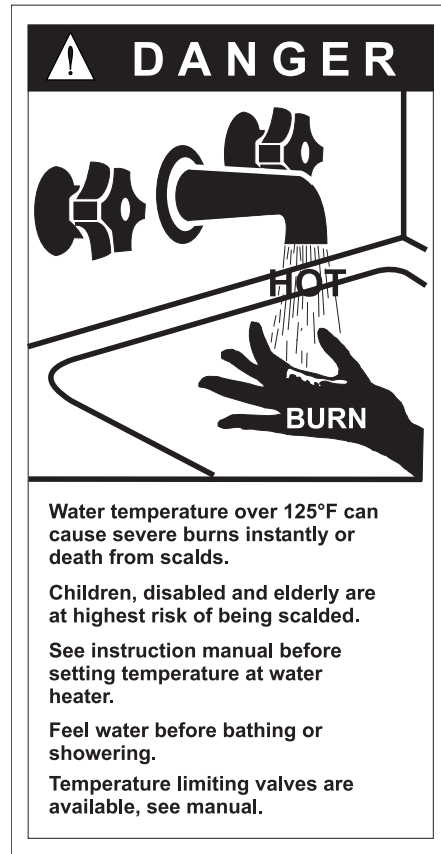


Fig. 1

2 Appliance details

2.1 330 PN specifications (Technical data)

Approved in US/Canada

Capacity

330 PN: 2.6 GPM

Maximum output

330 PN: 58 400 Btu/hr

Maximum input

330 PN: 74 900 Btu/hr

Efficiency in %

Recovery efficiency 78%

Min. Output

330 PN: 23 906 Btu/hr

Gas Requirement

Gas connection (inches) - 1/2" NPT

Inlet gas pressure under maximum operation*

- Propane: 10.5" - 14" water column
- Natural Gas: 5.7" - 14" water column.

* To measure Gas Pressure, see Measuring Gas Pressure, chapter 3.8.

Venting

- Natural Draft
- Vent diameter (inches) - 4"
- Minimum height (feet) - 6' with no elbows
- Vertical termination.

Water

- Hot water connection (inches) - 1/2" NPT
- Cold water connection (inches) - 1/2" NPT
- Water valve material: Fibreglass - reinforced polyamide (PA)
- Minimum water flow: 0.5 gallon/minute (1.9 l/m)
- Minimum recommended water pressure: 13 PSI (0.9 bar)
- Connections:
 - Bottom of heater

Dimensions

- Depth (in): 8.66" (220 mm)
- Width (in): 12.20" (310 mm)
- Height (in): 22.83" (580 mm)
- Weight: 26 pounds (12 kg).

Gas types

Natural Gas.
LP Gas

Safety devices

- Flame failure device (ionization thermocouple)
- Pressure relief valve (Available as accessory)
- Over heat prevention (temperature limiter).

Accessories (Bosch part #)

- Pressure relief valve (FWL-2).

2.2 Unpacking the 330 PN heater

This heater is packed securely.

Before installing the unit, be certain you have the correct heater for your type of Gas - Propane or Natural Gas. Identification labels are found on the shipping box, and on the rating plate which is located on the right side panel of the cover.

MODEL # / N° DE MODELE []
 ORDER # / N° DE COMMANDE [] FD # / N° DE SERIE []

AUTOMATIC INSTANTANEOUS WATER HEATER / CHAUFFE EAU INSTANTANÉ AUTOMATIQUE
 ANSI Z21.10.3 2001 GAS WATER HEATERS / CHAUFFE EAU
 CSA 4.2 2001

FOR OPERATION AT OUTLET WATER TEMPERATURE OF 140° F.
 HYDROSTATIC PRESSURE 300 psi MAX. HYDROSTATIC WORKING PRESSURE 150 psi.

POUR LE FONCTIONNEMENT A UNE TEMPERATURE DE 140° F A LA RESERVE.
 SOUMIS A UNE PRESSION HYDROSTATIQUE MAX. 300 psi. PRESSION HYDROSTATIQUE DE FONCTIONNEMENT 150 psi.

0 - 2000 Ft. (0 - 610 m) STANDARD ALT. ALTITUDE NORMALE	RATINGS AT ALTITUDE / EVALUATION A DIFFERENTE ALTITUDE		2000 - 4500 Ft. (610 - 1370 m) HIGH ALTITUDE HAUTE ALTITUDE
MAX. INPUT BTU/H	CONSUMPTION MAX. BTU/H		
MIN. INPUT BTU/H	CONSUMPTION MIN. BTU/H		
REC. RATING, U.S. GAL/MIN.	RECOMMANDE U.S. GAL/MIN.		
ORIFICE SIZE	TAILLE DES ORIFICES		
INLET PRESS., IN W.C.	PRESSION D'ENTREE EN Po		
VENT. DIAM., INCHES	DIAMÉTRE DU CONDUIT DE CHEMINÉE		
MIN. GAS SUPPLY PRESS., IN W.C.	LA PRESSION MINIMUM DU GAZ EN Po		
FOR PURPOSE OF RATE ADJUSTMENT	POUR RAISON D'AJUSTEMENT		

SUITABLE FOR WATER (POTABLE) / CONVIENT POUR L'EAU (POTABLE)
 TYPE OF GAS [] MAX. GAS PRESS. 3.7kPa 11/2 PSIG
 TYPE DE GAZ [] LA PRESSION DU GAZ FOURNI EST DE 3.7 kPa 11/2 psi

THIS HEATER IS NOT APPROVED OR DESIGNED FOR USE, HIGH ALTITUDE FOR CANADA

6720608030-15.1AL

Fig. 2 Rating plate

- A Serial number
- B Type of gas

The box includes:

- Mounting screws
- Product registration card
- Installation manual
- Incandescent particle tray.

Do not lose this manual, there is a charge for a replacement.

Please complete and return the enclosed product registration card.

The 330 PN is not approved or designed for:

- Manufactured (mobile) homes, RV's or boats
- Heating or other recirculating/pumping applications*
- Solar/preheat backup or high temperature booster use
- Installation in a bathroom or other occupied rooms normally kept closed.

* This includes domestic hot water circulator pump loop systems that may be installed in home hot water system prior to installing this unit. An approved recirculation design can be found in chapter 3.10.

2.3 General rules to follow for safe operation

1. You should follow these instructions when you install your heater. In the United States: The installation must conform with local codes or, in the absence of local codes, the National Fuel Gas Code ANSI Z223.1/ NFPA 54.

In Canada: The Installation should conform with CGA B149.(1,2) INSTALLATION CODES and /or local installation codes.

2. Carefully plan where you install the heater. Proper clearances must be followed.

3. The appliance must be isolated from the gas supply piping system by closing its individual manual gas shutoff valve (not supplied with heater) during any pressure testing at pressures in excess of 1/2 Psig (3.5 kPa).

The appliance and its gas connection must be leak tested before placing the appliance in operation.

4. Keep water heater area clear and free from combustibles and flammable liquids. Do not locate the heater over any material which might burn.

5. **Correct gas pressure** is critical for the optimum operation of this heater. Gas piping must be sized to provide the required pressure at the maximum output of the heater, while all the other gas appliances are in operation. Check with your local gas supplier, and see chapter 3.7 and 3.8 to verify proper gas line sizing.

6. Should overheating occur or the gas supply fail to shut off, turn off the gas supply at the manual gas shut off valve, on the gas line. Note: manual gas shutoff valve is not supplied with the heater.

7. Do not use this appliance if any part has been underwater. Immediately call a qualified service technician to inspect the appliance and to replace any part of the control system and any gas control which has been underwater.



BOSCH is constantly improving its products, therefore specifications are subject to change without prior notice.

2.4 Dimensions and installation clearances

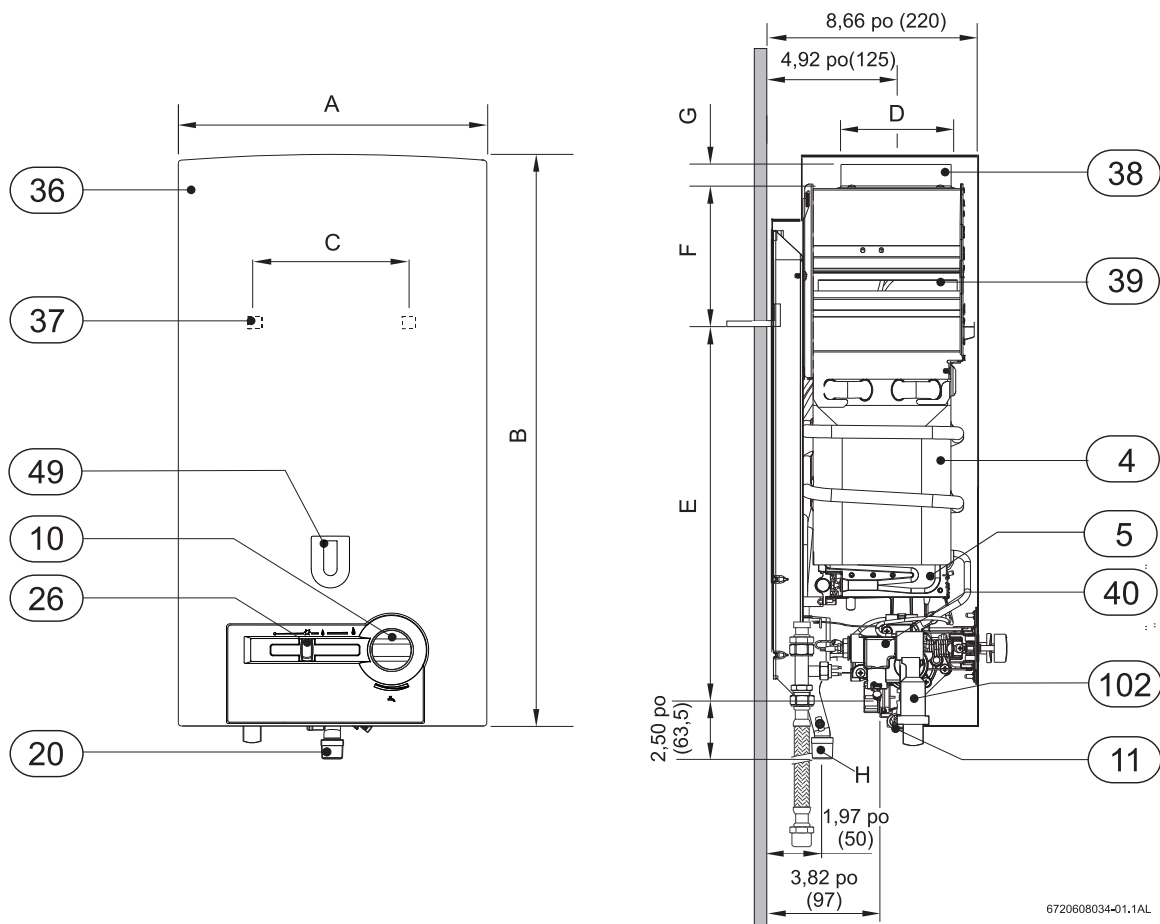
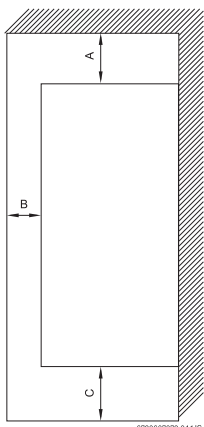


Fig. 3 Dimensions in Inches and (mm)

- 4 Heat exchanger
- 5 Burner
- 10 Temperature control
- 11 Water valve
- 20 Gas connection
- 26 Output control
- 36 Front cover
- 37 Hole for fixing to wall
- 38 Exhaust pipe to connector
- 39 Draft diverter with flue gas monitor
- 40 Gas valve
- 49 Observation window
- 102 Piezo

	Dimensions inches (mm)
	330 PN
A	12.20" (310)
B	22.83" (580)
C	9" (228)
D	4" (100)
E	20.71" (526)
F	2.36" (60)
G	1" (25)
H	1/2"

Table 1 Dimensions in inches (mm)



	Model 330 PN
TOP (A)	12 inches (306 mm)
FRONT (B)	4 inches (100 mm)
BACK	0 inches
SIDES	4 inches (100 mm)
BOTTOM (C)	12 inches (306 mm)

Fig. 4 Minimum clearances

3 Installation instructions

3.1 Introduction

Please follow these instructions. Failure to follow instructions may result in:

- ▶ Damage or injury.
- ▶ Improper operation.
- ▶ Loss of warranty.

If you are unable to perform the tasks required to install this heater properly, please contact a locally licensed plumber or gas technician.

Please contact Bosch Water Heating with any questions.

3.2 Proper location for installing your heater

Carefully select the location of the water heater. For your safety and for proper heater operation, you must provide combustion air to the heater and a proper exhaust vent system.

Follow the guidelines below:

- ▶ **1.** Locate the heater where venting, gas and plumbing connections are feasible and convenient.
- ▶ **2.** The hot water lines should be kept short to save energy. Centrally locating the water heater is best. It is always best to have hot water lines insulated.



Warning: The water in this water heater is cold and always remains cold except for the times that hot water is being used. **DO NOT INSTALL IN AN AREA WHERE IT COULD FREEZE.**

Drain the heater entirely if freezing temperatures are anticipated in area where heater is installed. See chapter 4.5 for draining instructions.

To prevent freeze damage from residual water in the heater, introduce short bursts of compressed air (20-40psi) through these connections to remove the residual water in the horizontal pipes and water valve.



Warning: Flammable materials, gasoline, pressurized containers, or any other items or articles that are potential fire hazards must NOT be placed on or adjacent to the heater. The appliance area must be kept free of all combustible materials, gasoline and other flammable vapors and liquids.



Warning: The heater must be isolated from the gas supply piping system during any pressure testing of that system at test pressures equal to or more than 0.5 psig.



Warning: Place the heater in a location where water leaks will do NO DAMAGE to adjacent areas.

3.3 Heater placement and clearances

The 330 PN is design certified for installation on a combustible wall (see 3.4 Mounting installation) provided the wall is not covered with carpet or other fabric material. For installations in an alcove or closet, maintain the minimum clearances to combustible and non-combustible materials listed below. See also Fig. 4.

- A. Top 12 inches (306 mm)
- B. Front 4 inches (100 mm)
- C. Back 0 inches
- D. Sides 4 inches (100 mm)
- E. Bottom 12 inches (306 mm)

3.4 Mounting Heater



Warning: before starting installation:

- ▶ check that there are no loose parts inside the appliance
- ▶ ensure that gas pipe, gas valve, and burner have no damage and are properly fitted.
- ▶ Read chapter 2.2 to verify proper gas type and to check all parts are included in box.



Front cover should be removed in order to inspect components visually (see instructions below).

Remove cover and inspect.

- ▶ Remove the temperature control.
- ▶ Unscrew the cover fixing screws, see Fig. 6.
- ▶ Remove the outer case by sliding it forwards and then lifting upwards.
- ▶ Ensure that the flue terminal is clear.
- ▶ After inspection, replace front cover and tighten screws.

Install incandescent particle tray.

- ▶ Install incandescent particle tray using screws provided as shown in Fig. 5.

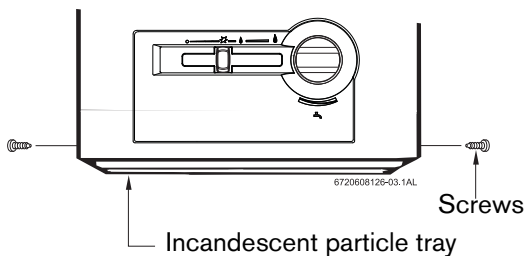


Fig. 5 Incandescent particle tray illustration

Mounting heater.

The 330 PN is design certified for mounting on a wall.



Warning:

- ▶ Do not install this appliance on a carpeted wall.

The heater must be mounted on a wall using appropriate anchoring materials. If wall is a stud wall sheathed with plasterboard, it is recommended that support board(s), either 1x4's or 1/2" (minimum) plywood first be attached across a pair of studs and then the heater should be attached to the support boards, see Fig. 7.

- ▶ Secure the two included L shaped hooks to wall studs or support board 13 1/4" apart. (See Fig. 7).
- ▶ Hang heater on two L shaped hooks. (See Fig. 8).

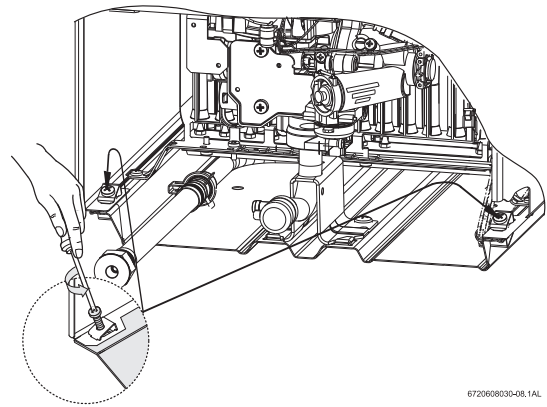


Fig. 6 Remove front cover

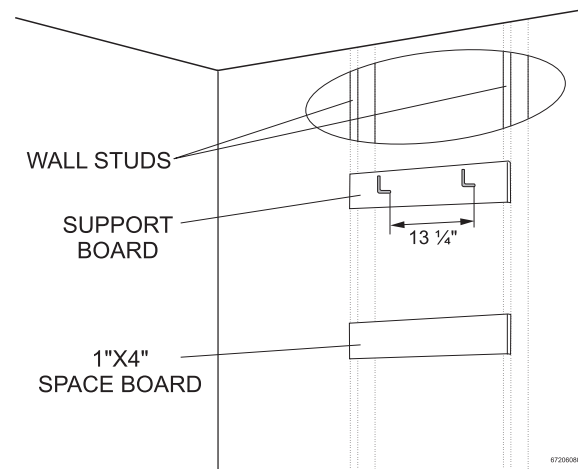


Fig. 7 Support board

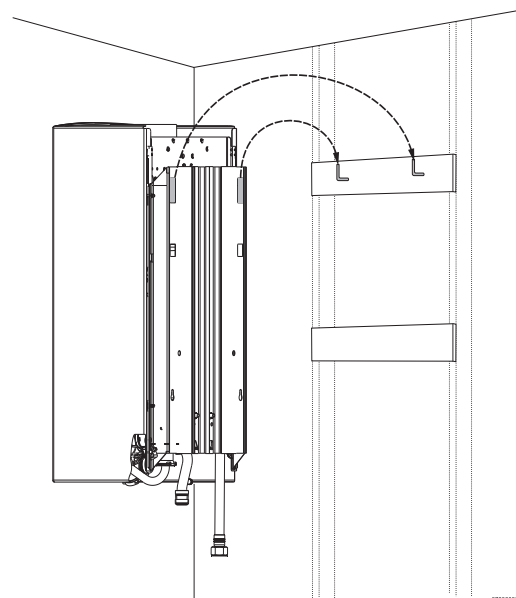


Fig. 8 Secure heater to wall

3.5 Combustion air requirements

The BOSCH PRO water heater holds cold water in its copper heat exchanger and water valve when not in use. Because of this, any cold air that comes down through the unit's vent pipe is capable of freezing these components. This Installation Manual specifies the minimum vertical vent pipe and the amount of combustion air required for this unit. When all requirements are followed, the unit will operate properly and safely. However, there may still be a risk of freezing due to negative draft if all the combustion appliances in the building or structure are not being supplied with a sufficient amount of make-up air. A wood stove or furnace can pull outside air down through the BOSCH PRO vent pipe and across the heat exchanger tubing. If the air is cold enough, the heat exchanger is at risk of freezing and bursting. Supplying more combustion air for all combustion appliances is the solution. Follow the instruction on venting and checking the adequacy of make up air. A HVAC specialist should be consulted on how to provide more combustion air if necessary. Observe the following instructions concerning combustion air.

Fuel Gas Code for complete information. In buildings of tight construction all air should be taken from outside.

Appliances located in unconfined spaces:

a) An unconfined space is one whose volume is greater than 50 cubic feet per 1000 Btu per hour of the combined rating of all appliances installed in the space. That would be 5850 cubic feet for the BOSCH PRO 330 PN alone.

b) Installations in structures that have been tightly constructed (air infiltration rate of 0.40 ACH or less) must be provided for combustion air per the National Fuel Gas Code. Consult a HVAC specialist if your air infiltration rate is questionable.

Appliances located in confined spaces:

The confined space must be provided with two permanent openings, one commencing within 12 inches of the top and one commencing within 12 inches of the bottom of the enclosure. Each opening must have a minimum free area of one square inch per:

- 1000 Btu/hr if all air is taken from inside the building.
- 2000 Btu/hr if all air is taken from the outside by horizontal ducts.
- 4000 Btu/hr if all air is taken from the outside by direct openings or vertical ducts.

Or the confined space must be provided with one permanent opening or duct that is within 12 inches of the ceiling of the enclosure. This opening must have a minimum free area of one square inch per:

- 3000 Btu/hr if all air is taken from the outside by a direct opening or vertical duct.

Louvers, grills and screens have a blocking effect. If the effective free area is not known, increase the sizes of your openings by 400% if your louvers are wood and by 135% if your louvers are metal. Refer to the National

3.6 Venting



Danger: Do not reduce the vent pipe size. Do not put an elbow directly on top of heater. Failure to follow venting requirements may cause dangerous exhaust gases to enter living space.

- ▶ Minimum vent pipe diameter: 4 inches
- ▶ Minimum vertical vent height: 6 feet, with no elbows
- ▶ Establish 12 inch rise before any elbow

The heater must be vented to the outside following all local ordinances and specifications for installing a gas appliance vent or chimney. The heater must be located as close as practicable to a vertically rising chimney or vent that has a listed vent cap at its termination point. The venting system must be designed and constructed so as to develop a positive flow adequate to remove flue gasses to the outdoors. Consult the National Fuel Gas Code if the vent will have elbows or share venting with another natural draft appliance.



Warning: Do not combination vent with a mechanically vented appliance.

3.6.1 Horizontal venting



Warning: Horizontally venting to a vertically constructed vent stack along an outside wall of a building is not permissible.



Warning: Horizontally venting to a sidewall vent terminator is not permissible

3.6.2 Vertical venting

- ▶ A 4 inch diameter gas vent constructed of double wall Type B gas vent is recommended. Under no circumstances should the vent pipe be reduced in size.
- ▶ An approved gas vent connector must be attached to the top of the water heater and rise vertically at least 12" before entering into an approved gas vent connector elbow.
- ▶ The minimum vertical gas vent height allowed is 6 feet; horizontal vent connectors and elbows are not to be considered in the total gas vent height.
- ▶ All gas vent sections must be secured to each other with sheet metal screws and be properly supported.

Horizontal runs:

Any gas vent section that is greater than 45 degrees from the vertical is considered horizontal. Horizontal sections must slope upwards at least 1/4 inch for every foot of its horizontal length and be properly supported.

Keep the horizontal section short and avoid too many elbows. The maximum horizontal run allowed is half of the total vertical vent height; horizontal vent connectors and elbows are not to be considered in the total gas vent height.

Vent termination:

The gas vent constructed of double wall Type B gas vent must terminate above the roof surface with a listed vent cap at a height that's in accordance with Fig. 10 and table 2, provided it is at least 8 feet (2.4 m) from a vertical wall or similar obstruction. All other gas vents that are not able to terminate within the minimum specified height allowed must terminate not less than 2 feet (0.6 m) above the highest point where it's passed through the roof and at least 2 feet (0.6 m) higher than any vertical wall or similar obstruction within 10 feet (3.1 m).

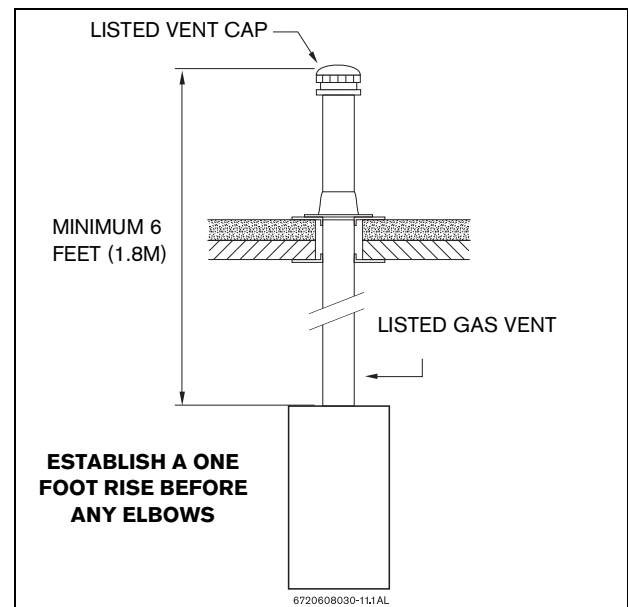


Fig. 9 Flat roof

Masonry chimney

Masonry chimneys shall be built and installed in accordance with NFPS 211 or local codes. A minimum 4" diameter gas vent pipe (metal double wall Type B), or an approved clay flue liner or a listed chimney lining system must be used when venting into a naturally drafting, internal masonry chimney. Local codes may require the use of both gas vent and an approved lining system when venting into a masonry chimney. The Commonwealth of Massachusetts requires the use of a listed liner. Lining systems include approved clay flue lining, a listed chimney lining system or other approved material that will resist corrosion, erosion, softening, or cracking from exhaust flue gases at temperatures up to 1800 degrees F. The lining system must be listed for use with naturally drafting, draft hood equipped gas appliances. Follow local codes and refer to NFGC 54 and NFPA 58.

Existing interior masonry chimney

The metal gas vent pipe should be permanently mounted inside the masonry chimney. Double wall Type B gas vent is recommended. The masonry chimney may have to be tile or metal lined before the insertion of the gas vent pipe; check local codes for clarification. The lining material must be listed for use only with naturally drafting, draft hood equipped gas appliances. Follow manufactures instructions for installation of listed lining material. You may not vent any other fuel burning appliances into any free space remaining in the chimney. The minimum vertical gas vent length within the masonry chimney should be no less than 6 ft (1.8 m); the vent terminator should extend at least 3 feet (0.9 m) above where the chimney meets the roofline and at least 2 feet (0.6 m) higher than any vertical wall or similar obstruction within 10 feet (3.1 m). The top of the gas vent should have an approved vent terminator. See Fig. 11.

GAS VENT TERMINATIONS FOR LISTED VENT CAPS		
Roof pitch	H (minimum) feet	meters
Flat to 6/12	1.0	0.30
6/12 to 7/12	1.25	0.38
Over 7/12 to 8/12	1.5	0.46
Over 8/12 to 9/12	2.0	0.61
Over 9/12 to 10/12	2.5	0.76
Over 10/12 to 11/12	3.25	0.99
Over 11/12 to 12/12	4.0	1.22
Over 12/12 to 14/12	5.0	1.52
Over 14/12 to 16/12	6.0	1.83
Over 16/12 to 18/12	7.0	2.13
Over 18/12 to 20/12	7.5	2.27
Over 20/12 to 21/12	8.0	2.44

Table 2

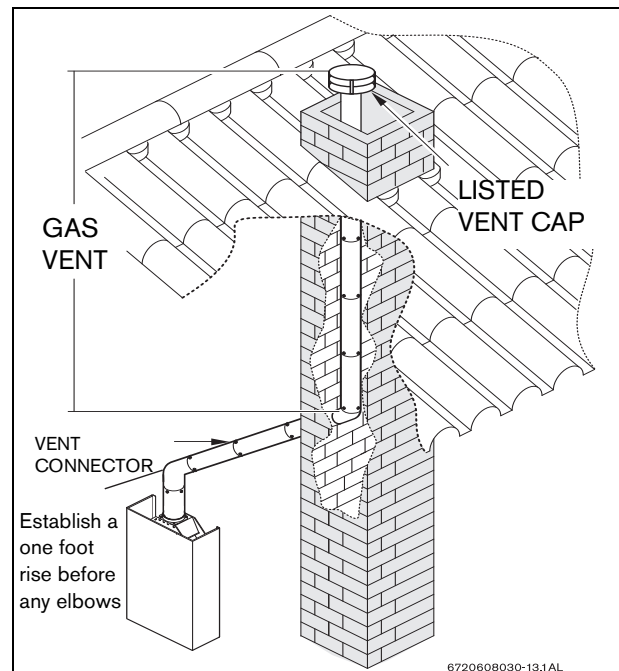


Fig. 11 Masonry chimney

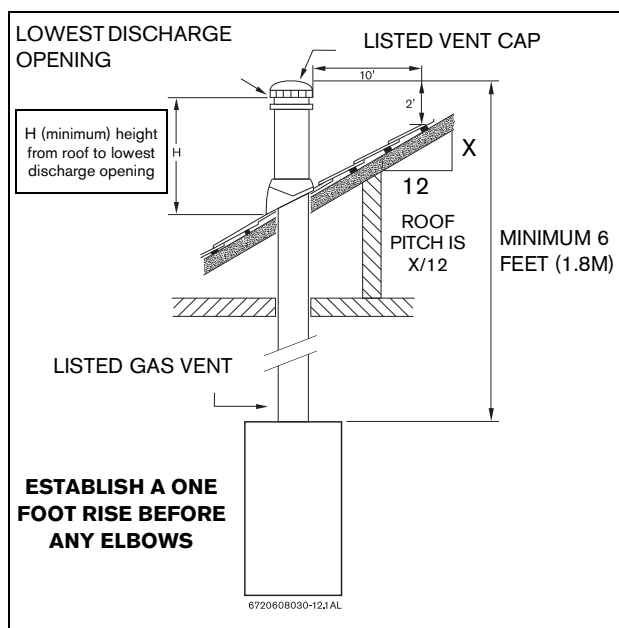


Fig. 10 Pitch roof

3.7 Gas piping & connections



Before connecting the gas supply, check the rating plate on the right side of the heater to be sure that the heater is rated for the same gas to which it will be connected.

In the United States: The installation must conform with local codes or, in the absence of local codes, the National Fuel Gas Code ANSI Z223.1/NFPA 54.

In Canada: The Installation should conform to CGA B149 INSTALLATION CODES and/or local installation codes.

Mount regulator to gas inlet pipe as shown in Fig. 12. The arrow on the back of the regulator indicates the direction of gas flow and should point toward the appliance.

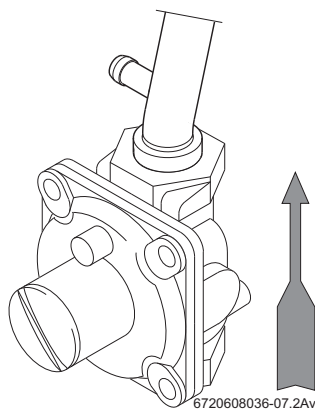


Fig. 12 Installation of Gas Pressure Regulator

Note: The 330 PN comes with a gas pressure regulator. Failure to install or altering the gas pressure regulator will be a violation of CSA certification of the unit. The regulator supplied with the heater is preset for the gas shown on the rating plate to the correct pressure. It is an appliance level regulator designed for (low inlet) pressure (less than 1/2 Psig or 14" W.C.).



Warning: DO NOT connect to an unregulated or high pressure propane line or to a high pressure commercial natural gas line.



Warning: The heater must be isolated from the gas supply piping system during any pressure testing of that system at test pressures equal to or more than 0.5 psig. If overpressure has occurred, such as through improper testing of the gas lines or malfunction of the supply system, the gas valve must be checked for safe operation.

GAS CONNECTIONS

- ▶ Install a manual gas shut off valve, on the gas supply line.
- ▶ Install a union when connecting gas supply.

- ▶ Attach the appliance regulator to the inlet gas pipe.
- ▶ The minimum diameter required for any appliance connector used is 1/2".
- ▶ National Fuel Gas Code requires that a sediment trap (drip leg) be installed on gas appliances not so equipped. The drip leg must be accessible and not subject to freezing conditions. Install in accordance with the recommendations of the serving gas supplier.

When connections are made, check for gas leaks at all joints. Apply some gas leak detection solution to all gas fittings. Bubbles are a sign of a leak. A combustible gas detector may also be used to detect for leaks.



Danger: If you have a leak, shut off the gas. Tighten appropriate fittings to stop leak. Turn the gas on and check again with a gas leak detection solution. Never test for gas leaks using a match or flame.

HIGH ALTITUDE INSTALLATION

The pressure regulator provided with the heater is adjusted to deliver the proper gas pressure (as indicated on the rating plate and in the manual for altitude up to 2000 feet (660 meters) above sea level. On appliances being installed above 2000 ft (660 meters) elevation, the inlet gas pressure should be set at installation to the value shown below.

Note: The gas pressures specified below refer to pressures taken at the pressure tap on the gas inlet pipe just above the regulator. See chapter 3.8 for measuring gas pressure.

MAXIMUM INLET GAS FLOW PRESSURE SETTING

Altitude	Nat. Gas inches W.C.	Liquid Propane inches W.C.
0' - 2 000 ft	5.7"	10.5"
2 000 ft - 4 500 ft	4.6"	8.4"

Table 3 Above 4.500 ft consult your local gas provider

GAS LINE SIZING

The gas supply piping should be sized according to the applicable code for a maximum draw of 74,900 BTUH. Measure the length of gas supply line and use the tables in Fig. 13 or the gas line manufacturer's sizing tables to determine the pipe diameter necessary to accommodate the BTU demand of the unit. If there are more gas appliances drawing on the same line, size the gas line according to the total maximum amount of BTU draw for all appliances.

Note: Under sizing the gas line may result in diminished output and improper operation. See chapter 3.8 for the procedure to confirm gas pressure.

Installation instructions

FOR NATURAL GAS

Maximum Capacity of pipe in Cubic Feet of Gas per Hour for Gas Pressure of 0.5 Psig or less and a Pressure drop of 0.3 in Water Column (0.75mbar). (Based on a 0.60 Specific Gravity Gas) Btu numbers given in thousands. Copper tubing is prohibited for use with Natural Gas in the Commonwealth of Massachusetts and not recommended elsewhere.

Follow boxed numbers for piping just one 330 PN (example: 3/4" B.I. Natural Gas pipe for 20 ft (6.1m). will handle 190,000 btu's (55.7 kWh). For multiple appliances combine the total btu input load and then refer to applicable chart below.

Nominal Iron Pipe Size inches	Internal Diameter inches	Length of Black Iron Pipe, Feet													
		10	20	30	40	50	60	70	80	90	100	125	150	175	200
3/4	0.824	278	190	152	130	115	105	96	90	84	79	72	64	59	55
1	1.049	520	350	285	245	215	195	180	170	160	150	130	120	110	100
1 1/4	1.380	1050	730	590	500	440	400	370	350	320	305	275	250	225	210

Length of Flexible Corrugated Stainless Steel Tubing (CSST), Feet Tube size, inches	EHD*						
		10	20	30	40	50	60
1/2	18 EHD	82	58	47	41	37	34
3/4	23 EHD	161	116	96	83	75	68
1	30 EHD	330	231	188	162	144	131
1 1/4	37 EHD	639	456	374	325	292	267

* EHD = Equivalent Hydraulic Diameter. The greater the value of EHD, the greater the gas capacity of the tubing.

FOR LP GAS

Maximum Capacity of Pipe in Thousands of BTU per Hour of Undiluted Petroleum Gases (at 11 inches Water Column Inlet Pressure) (Based on a Pressure Drop of 0.5 Inch Water Column).

* EHD = Equivalent Hydraulic Diameter. The greater the value of EHD, the greater the gas capacity of the tubing.

Nominal Iron pipe size inches	Black Iron Pipe Length of pipe, Feet													
	10	20	30	40	50	60	80	100	125	150	200			
1/2	291	200	160	137	122	110	94	84	74	67	58			
3/4	608	418	336	287	255	231	197	175	155	140	120			
1	1145	787	632	541	480	434	372	330	292	265	227			

Length of Flexible Corrugated Stainless Steel Tubing (CSST), Feet Tube size inches	EHD*						
		10	20	30	40	50	60
1/2	18 EHD	129	91	74	64	58	53
3/4	23 EHD	254	183	151	131	118	107
1	30 EHD	521	365	297	256	227	207
1 1/4	37 EHD	971	661	528	449	397	359

Maximum Capacity of Semi-Rigid copper Tubing in Thousands of BTU per Hour of Undiluted Liquefied Petroleum Gases (at 11 inches Water Column Inlet Pressure).

(Based on a Pressure Drop of 0.5 Inch Water Column)

* Source National Fuel Gas Code NFPA 54, ANSI Z223.1
- No Additional Allowance is necessary for an ordinary number of fittings

Outside diameter Inch	Copper (LP gas only) Length of Tubing, Feet									
	10	20	30	40	50	60	70	80	90	100
3/8	39	26	21	19	-	-	-	-	-	-
1/2	92	62	50	41	37	35	31	29	27	26
5/8	199	131	107	90	79	72	67	62	59	55
3/4	329	216	181	145	131	121	112	104	95	90

Fig. 13

3.8 Measuring gas pressure

Connecting manometer

- ▶ Shut off gas.
- ▶ Remove front cover and locate inlet gas pressure measuring point on the right side, see Fig. 14.
- ▶ Loosen screw from test point on the right side and connect manometer tube on test point.

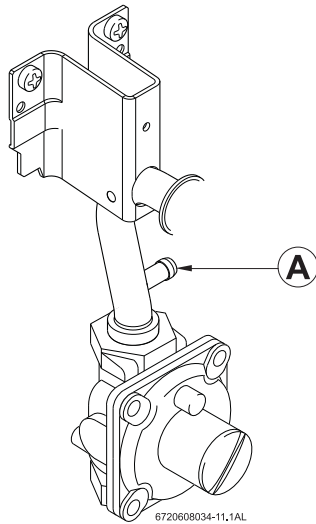


Fig. 14 Gas pressure measuring point

A Inlet tap

Static pressure test

- ▶ Turn gas supply back on.
- ▶ Record static gas pressure reading on back page of manual.

Operating pressure test

- ▶ Turn on all hot water taps served by the water heater.
- ▶ Run high hot water flow rate.
- ▶ Set flow control knob fully clockwise.
- ▶ Set slide control to the right.
- ▶ Record operating gas pressure reading on back page of manual.

Gas pressures lower than 5.7" W.C. for Natural Gas or 10.5" W.C. for LP Gas will result in insufficient degree rise to the hot water being used, and must be corrected. See Gas Line Sizing under chapter 3.7.

3.9 Water connections



When facing the heater, the 1/2" cold water inlet is on the bottom right and the hot water outlet is on the bottom left.

- ▶ **Install unions or the Webstone service valves when connecting plumbing to the water heater. This will facilitate any necessary cleaning and servicing.**

Although water piping throughout your structure may be other than copper, we recommend that copper piping

or suitably rated stainless steel flex line piping be used for at least three feet before and after the heater (follow local codes if more stringent). Never sweat any rigid piping directly to or beneath the water connections or damage can occur to the internal water valve from heating of the pipe. Plastics or other PEX type plumbing line materials are not recommended for connecting directly to the water heater. Keep water inlet and outlet pipes to no less than 1/2" (12.7mm) diameter to allow the full flow capacity.

It is recommended that all water piping below the heater be properly insulated to avoid heat loss.

If the cold and hot connections to the heater are reversed, the heater will not function. Be certain there are no loose particles or dirt in the piping. Blow out or flush the lines before connecting to the water heater. Full port valves should be installed on both the cold water supply and hot water outlet lines to facilitate servicing the heater (see Fig. 15). For installation on a private well system with the use of a pressure tank, the lowest pressure range setting recommended is 30-50 psi (2.07 and 3.45bar).

Connecting the pressure relief valve (PRV)

A listed pressure relief valve must be installed at the time of installation. No valve is to be placed between the PRV and the heater. No reducing coupling or other restriction may be installed in the discharge line. The discharge line must be a minimum of 4" above a drain and installed such that it allows complete drainage of both the PRV and the line.

The location of the PRV must be readily accessible for servicing or replacement, and be mounted as close to the water heater as possible. See Fig. 15. To install the PRV, a suitable fitting connected to an extension on a "T" fitting can be sweated to the hot water line. Support all piping.

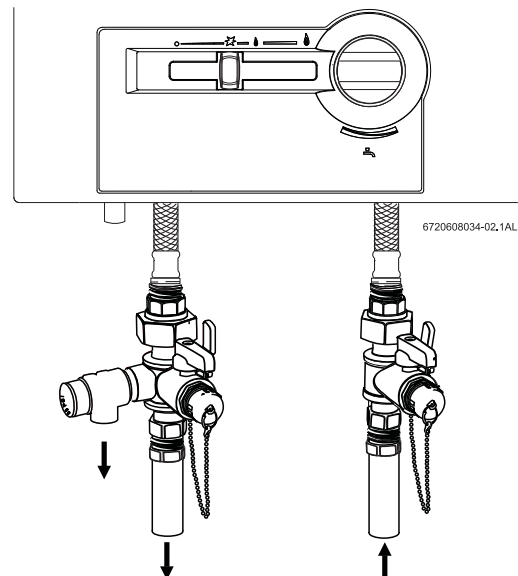


Fig. 15 Plumbing connections and pressure relief valve shown with optional Webstone service valves

3.10 Recirculation application

Since recirculation through the heater is not permissible, the following drawing is provided to outline a proper recirculation application using the BOSCH PRO water heater with an Ariston minitank. This schematic is for illustration only and must not be used for actual installation without appropriate engineering and technical advice from a professional properly licensed in locality where the installation is made.

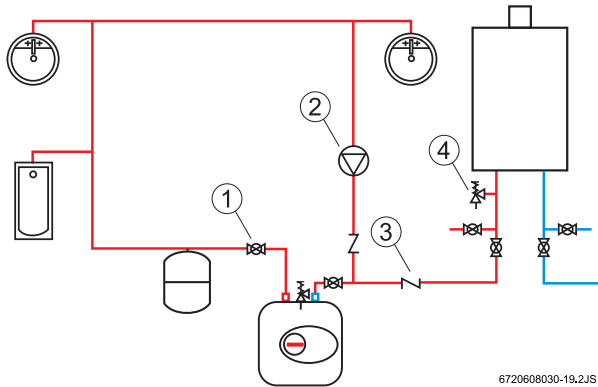


Fig. 16 Recirculation application

- 1 Full port isolation valve
- 2 Circulator
- 3 Check valve
- 4 PRV

The use of a small electric mini-tank (4-6 gallon size) should be used for this application and designed so the pump will circulate the water through the mini-tank and the building's hot water return loop only. A timed or thermostatically controlled operation of the pump is commonly done. The 330 PN should be plumbed in line before the mini-tank water heater. Contact Bosch Water Heating if further instruction is needed.

4 Operation instructions

4.1 For your safety read before operating your water heater



Warning: If you do not follow these instructions exactly, a fire or explosion may result causing property damage, personal injury or loss of life.



Note: Upon initial installation, existence of air in the gas supply line and in the water line may cause some ignition delay. In that case, repeat the ignition process until all the air has been purged.

A. This appliance employs a piezo-igniter to light the pilot burner. When lighting the pilot, follow these instructions exactly.

B. What to do if you smell gas.

WHAT TO DO IF YOU SMELL GAS

- ▶ Close gas valve. Open windows.
- ▶ Do not try to light any appliance.
- ▶ Do not touch any electric switch; do not use any phone in your building.
- ▶ Immediately call your gas supplier from a neighbors phone. Follow the gas supplier's instructions.
- ▶ If you cannot reach your gas supplier, call the fire department.

C. Use only your hand to push in the gas control buttons. Never use tools. If a button will not push in, check to make sure the buttons are being pushed in the proper sequence. Follow these instructions exactly. If control button(s) are jammed, close the heater's individual manual shutoff valve and call a qualified service technician. Forced or attempted repair may result in a fire or explosion.

D. Do not use this appliance if any part has been under water. Immediately call a qualified service technician to inspect the appliance and to replace any part of the control system and any gas control which has been under water.

4.2 Lighting instructions

- ▶ STOP! Read the previous safety information.
- ▶ The gas valve must be turned off by sliding the gas valve button to all the way to the left.

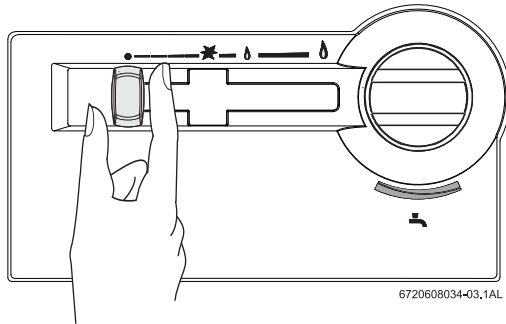


Fig. 17

- ▶ Wait five (5) minutes to clear out any gas. If you smell gas, STOP! Follow "B" in the safety information above on this plate. If you don't smell gas, go to next step.
- ▶ The pilot burner window is located in the front center of the cover.
- ▶ Slide the gas valve button to the position ★.

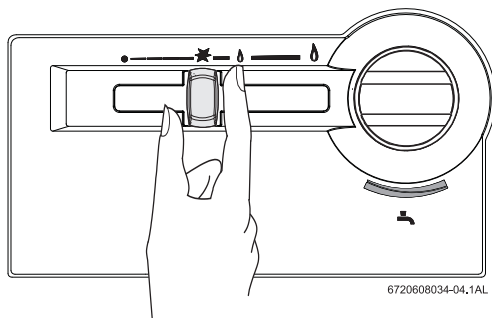


Fig. 18

- ▶ Fully depress gas valve button.

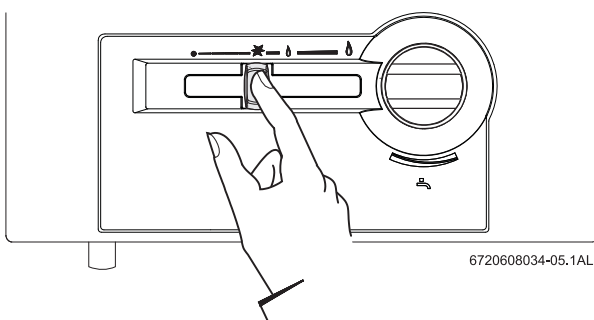


Fig. 19

- ▶ With the gas valve button fully depressed, light pilot by pushing the piezo button. This step may have to be repeated.

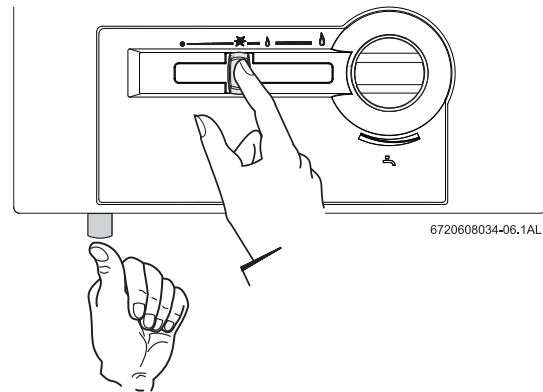


Fig. 20

- ▶ Observe the pilot flame through the peephole. The gas valve button should be held down for at least 15 seconds with pilot burning before releasing. When the gas valve button is released, the pilot should continue to burn.
 - If the gas valve button does not pop out when released, stop and immediately call your service technician or gas supplier.
 - If pilot does not stay lit, repeat all steps.
 - If pilot will not stay lit after several tries, slide the gas valve button all the way to the left and call service technician or gas supplier.
- ▶ The heater will now fire at minimum power when water is drawn at a rate greater than the required activation flow rate.

Note: If main burner should fail to ignite, make sure pilot is burning. If not, repeat lighting steps.

Note: The 330 PN operates in two modes. See SETTING THE WATER TEMPERATURE.

4.3 To turn off appliance

- ▶ Slide the gas valve button all the way to the left and turn off the installer supplied manual gas shutoff on the supply line to the heater.

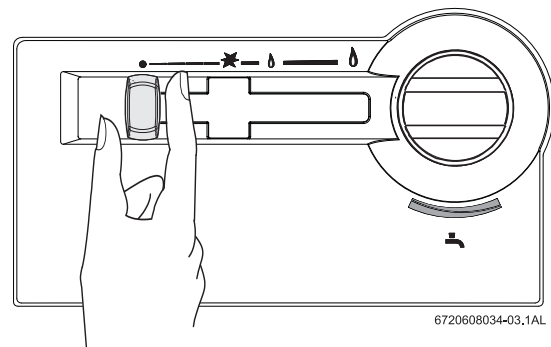


Fig. 21

4.4 Setting the water temperature

The 330 PN has a gas control that modulates burner input in response to flow. Its purpose is to ensure that the hot water temperature will remain steady, although the water flow demand might vary. The output temperature can be adjusted with either the temperature adjustment knob or the gas control slide.

Temperature adjustment knob

The temperature adjustment knob on the front bottom of the heater (see Fig. 22) adjusts temperature by adjusting flow capacity. See table 4 for details.

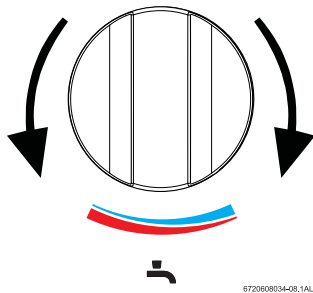


Fig. 22

Knob position	Clockwise	Counter-clockwise
Degree rise	90°F	45°F
Activation rate	0.5 GPM	1.1 GPM
Max flow rate	2.0 GPM	3.7 GPM

Table 4 Temperature rise (slide control to the right)

As the temperature adjustment knob is turned counter-clockwise, the output temperature will lower and the activation rate will be raised. Turning the knob clockwise will raise the temperature and lower the activation rate.

Gas control slide button

The gas control slide button adjusts temperature by adjusting how much gas is allowed to flow to the burners.

As the slide is adjusted to the left, the output temperature will lower, with the lowest setting being the small flame position.

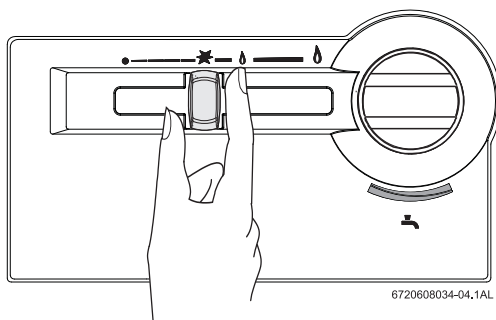


Fig. 23

The hottest position is the highest flame position all the way to the right.

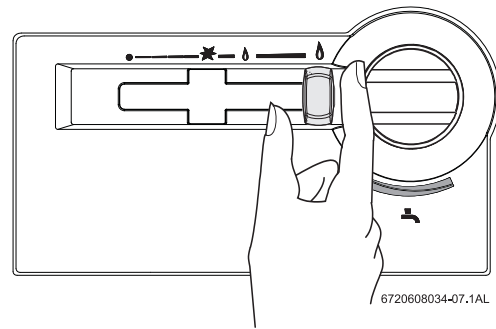


Fig. 24

4.5 Draining water from heater

If there is a risk of freezing, proceed as follows:

- ▶ Remove the retaining clip from threaded bushing (pos. 1).
- ▶ Remove threaded bushing (pos. 2) from water valve.
- ▶ Empty the appliance of all water.

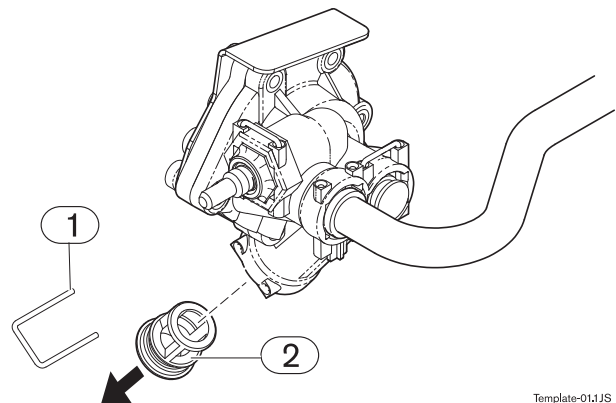


Fig. 25 Drain plug and filter location

- 1 Retaining clip
- 2 Threaded bushing

Template-01.1JS

5 Maintenance and service

5.1 Maintenance intervals



Warning: Failure to perform recommended maintenance may result in complete failure of the unit over time. The warranty does not cover failures due to improper or insufficient maintenance.

The 330 PN requires periodic maintenance. The below time maintenance intervals should keep the unit operating for many years.

Every year

- ▶ Inspect inlet water filter screen (5.2)
- ▶ Inspect pilot assembly and flame (5.3)
- ▶ Inspect burner assembly (5.4)

Every 2 years

- ▶ Inspect heat exchanger fins for soot, debris or blockage. Clean if necessary (5.5)
- ▶ Lubricate and clean water valve (5.2)

Every 3 to 5 years

- ▶ Rebuild water valve (5.2)
- ▶ Clean pilot assembly and clean or replace orifice (5.3)

5.2 Water valve

The water valve is the main control that tells the heater to fire. If the periodic maintenance is neglected, more costly damage may occur over time.

Inspecting inlet water filter screen

Shut off the installer supplied cold water isolation valve to the heater. If one is not installed, install before proceeding. Open the nearest hot water tap to drain the plumbing lines. Position a bucket under the heater's water valve assembly to catch any water that may drain from the heater. Remove the filter retaining pin located at base of water valve (see Fig. 25). Remove the threaded bushing to access the cylindrical filter inside. Remove filter, clean with water and inspect for damage. If the filter is at all damaged, it should be replaced.

Lubricating the water valve

A more detailed instruction is available on our website at www.boschpro.com. Shut off the installer supplied cold water isolation valve to the heater. If one is not installed, install before proceeding. Open the nearest hot water tap to drain the plumbing lines. Position a bucket under the heater's water valve assembly to catch any water that may drain from the heater. Disconnect the inlet water pipe going to the back of the water valve.

Disconnect the water pipe leading out of water valve to the heat exchanger. Do this by removing the retaining pin on water valve assembly and pulling the pipe free from the water valve. Loosen the two set screws at the bottom of the water valve where it connects to the gas valve. If the set screws are seized, STOP and call Bosch tech support before proceeding. Forcing and snapping seized set screws may cause irrevocable damage to the water valve and gas valve assemblies. Remove the water valve by pulling it to the right. Separate the two halves of the water valve by removing the five screws on the left side of the water valve. Apply lithium or faucet & valve grease to the pushrod and o-ring. (See Fig. 28). Inspect the venturi and clean if necessary. (see Fig 28).

Rebuilding the water valve

Several parts within the water valve should be replaced every 3 to 5 years depending on water quality and usage. The parts list and instructions can be found on our website at www.boschpro.com. Failure to rebuild the water valve can result in decreased performance or damage to the heater.

5.3 Pilot

Inspecting pilot

The pilot should burn with a clean sharp blue flame. The flame should fully engulf the tip of the thermocouple. If it does not, clean the pilot assembly per procedure below.

Cleaning pilot assembly

Shut off gas supply to the heater using installer supplied manual gas shutoff. Locate pilot gas tubing mounted in the center of the burner assembly. At the base of the pilot gas tubing there is a retaining clip. Release pilot gas tubing from this clip. Push upwards on other end of pilot gas tubing to release it from burner mount. Remove brass hex headed pilot orifice from gas valve (located near base of pilot gas tubing). Soak orifice and pilot gas tubing in carburetor cleaner for 30 minutes. Dry off and reinsert orifice in gas valve. If heater is an LP unit, replace orifice. Reinstall the pilot gas tubing following removal instructions in reverse. Open gas supply and return heater to service.



Caution: Do not ream or poke orifice as it will enlarge orifice opening.

5.4 Main burners

The main burner flames should be blue, with a more intense blue cone in the center core. Yellow flames could be a sign of wrong size gas orifices or dirty burners, a blockage on the heat exchangers fins. If some burners have yellow flames while others have blue flames, it is likely that dust, lint or spider webs have partially clogged the burner venturis. To clean the burners, contact a gas service person.

5.5 Vent assembly / heat exchanger

Inspect the draft hood and heat exchanger fins for signs of soot build-up or any other foreign material such as spider webs. Clean out any debris found in the vent hood and/or heat exchanger fins. Signs of soot indicate insufficient combustion air or exhaust draft. Check for vent assembly blockage or combustion air blockage on the underside of the unit.

5.6 Mineral scale build-up

The 330 PN, when operated at lower temperatures settings, does not accumulate mineral build-up. If however, the heater is used at the higher temperature settings and the water has a high mineral content, periodic descaling may be necessary. The heating coils should be flushed with a descaling solution.

5.6.1 Descaling heat exchanger

1. Disconnect electrical supply from the water heater.
2. Shut off the water supply to the water heater using (installer supplied) isolation valve.
3. Open hot water taps to drain and relieve pressure from the plumbing system.
4. Drain water from the unit's heat exchanger by disconnecting inlet and outlet water connections
5. Connect the line (A) from the outlet of the circulating pump (installer supplied) to the inlet water fitting on the water heater.
6. Using another line (B), connect to the water outlet fitting on the water heater. Route the other end of this line into a descaling reservoir.
7. Using a 3rd line (C) from the descaling reservoir, connect to the inlet side of circulating pump. Verify there is a filter on the end of the line in the descaling reservoir.
8. Make sure all connections are "hand tight."
9. Fill tank with descaling solution so lines inside are submersed. We recommend a straight white vinegar solution. If using a commercial descalant, refer to manufacturer's instructions on dilution with water.
10. Operate the circulating pump.
11. Make sure there are no leaks and the solution is flowing from the descaling reservoir through the heat exchanger and returning to the reservoir.

12. Run solution through the heat exchanger until the solution returning to the descaling reservoir comes out clear. (Changing to a fresh solution may be necessary during this process).

13. Disconnect all lines and drain all solution from heat exchanger. Properly discard of solution.

14. Position a container below the hot water outlet and connect cold water supply. Open cold water supply isolation valve and flush heat exchanger with clean water.

15. Shut cold water isolation valve and reconnect hot water supply to the water heater.

16. Reconnect electrical supply to unit, open water isolation valves, and return the unit to service.

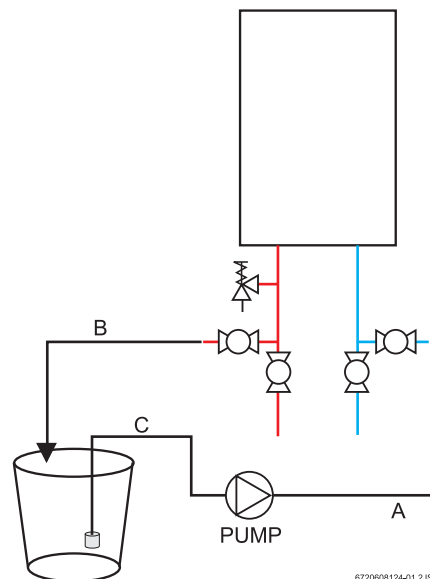


Fig. 26

6 Troubleshooting

6.1 Introduction

Many of the questions customers ask regarding operation of this unit can be answered by following the troubleshooting steps as outlined below. Visit our web site at www.boschpro.com for more detailed troubleshooting. For best results, perform each step before proceeding to the next. The suggested solutions may require that the cover be taken off. (See chapter 3.4).

6.2 Pilot does not light

1. Verify gas supply is on at Natural Gas meter or Propane Tank. Make sure all manual gas shut off valves are in the open position. Have licensed gas technician confirm adequate gas pressure at the inlet tap (chapter 3.9). If gas is not present, verify manufacturer supplied Maxitrol regulator is in the upright position. The arrow on the back of the regulator should point in the same direction as gas flow.
2. If the unit was just installed or the gas lines have been worked on, there may be air in the gas line. Centered in the sparking position, hold down the gas control slide button while hitting the pilot igniter button every few seconds. It may take several minutes to bleed air out of the gas line.
3. Verify a spark is being thrown at pilot area while gas control slide button, centered in the single flame position, is being firmly depressed. Repeatedly push in pilot igniter button to light the pilot. If no spark is present, verify proper wire connection to the electrode.
4. Pilot assembly may be blocked. Clean or replace the pilot orifice (chapter 5.3).

6.3 Pilot lights, but goes out when button is released

1. When lighting pilot ensure the gas control slide button is fully depressed and held down for at least 20 seconds after pilot is lit.
2. Verify gas type indicated in rating sticker located on right hand side of cover, coincides with the gas type you are using. NG is a natural gas unit and LP is for liquid propane.
3. Check all connections of the pilot safety circuit. The pilot safety circuit consists of a thermocouple, overheat sensor (ECO), flue gas sensor, safety spillage switch (models with Powervents only) and the electromagnet (See parts diagram for locations). Clean sensor connections with light sandpaper if corrosion is evident. The electromagnet connection is 5mm nut from the thermocouple which screws into a larger 17mm nut. Tighten both nuts snugly but do not over tighten.

4. Pilot flame should be blue in color and completely engulfing the tip of the thermocouple. If not, have a licensed gas technician verify gas pressure is in accordance with manufacturer's specifications (chapter 3.9) and clean or replace the pilot orifice (chapter 5.3).

5. Have a licensed gas technician verify the proper operation of the thermocouple by measuring the millivoltage from the thermocouple lead to ground. The proper reading should be 24mVDC or greater. If the reading is lower, the thermocouple may be defective. Call Bosch Water Heating for further instructions.

6.4 Pilot goes out during or after hot water use

1. Pilot outage during use typically results from the unit's safety overheat/high limit sensors interrupting the pilot circuit. The 330 PN does not have a thermostat. If inlet water is preheated, the unit will overheat, stopping the flow of gas. Plumb inlet with a cold water line only.
2. Failure to vent properly by reducing pipe diameter, improper use of elbows or not meeting required vent length are common causes that deactivate the pilot safety circuit. Confirm venting is in accordance with manufacturer's specifications (see chapter 3.7).
3. Confirm the combustion air requirements are being met in accordance with manufacturer's specifications (see chapter 3.6). Proper venting and combustion air will ensure a proper draft.
4. Confirm that the burners in the water heater go off immediately when the hot water is turned off. If they remain on or shut down slowly, then the overheat sensor (ECO) will interrupt the pilot circuit and shut off all gas to the heater. The water valve assembly, which actuates the burners, may be dirty and require periodic maintenance (every 2 - 5 years depending on water quality and use) (see chapter 5.2).
5. Check all connections of the pilot safety circuit. The pilot safety circuit consists of a thermocouple, overheat sensor (ECO), flue gas sensor and the electromagnet (See parts diagram for locations). Clean sensor connections with light sandpaper if corrosion is evident. The electromagnet connection is 5mm nut from the thermocouple which screws into a larger 17mm nut. Tighten both nuts snugly but do not over tighten.
6. Verify pilot flame completely engulfs the thermocouple tip. If pilot is too small, clean pilot orifice (see chapter 5.3).
7. If the water has a high mineral content, the heat exchanger may be scaled internally. This restricts the water path, causing the water to over heat which shuts all gas off to the heater. Instructions for descaling the heat exchanger are available at www.boschpro.com.

8. If steps 1 through 7 do not correct the problem, then confirm that the gas pressure is adequate. Ensure gas pressure is in accordance with manufacturer's specifications (see chapter 3.9). A gas pressure reading is needed to proceed further. Contact your original installer or a licensed gas technician to obtain this reading.

6.5 Burners do not light with water flow

1. Verify the pilot is lit.
2. Verify the gas control slide button is in middle position.
3. Verify the cold water supply is connected to the right side of the heater.
4. Close installer supplied cold water shut off valve (if none installed, install before proceeding). Open all hot water taps supplied by the heater. Wait 5 minutes and check all taps. Any water running is a sign of a plumbing crossover. Consult a local plumber or service person for help in correcting a plumbing crossover.
5. Verify flow through the water heater is sufficient. Turn temperature adjustment knob all the way clockwise. Fully open a hot water faucet and fill a quart container. If the container fills in 30 seconds or less, the flow rate (1/2 gallon per minute) is sufficient to activate the heater.
6. Inspect the water path outside of the heater for obstructions. Make sure all outlets (i.e. showerheads, faucet aerators and whole house filters) are clear of debris. Also, the water heater's inlet filter screen should be inspected and cleaned (see chapter 5.2).
7. The water valve assembly, which actuates the burners, requires periodic maintenance (every 2 - 5 years depending on water quality and use) (see chapter 5.2).

6.6 Hot water temperature fluctuates at tap

1. Close off installer supplied cold water shut off valve (if none installed, install before proceeding). Open all hot water taps supplied by the heater. Wait 5 minutes and check all taps. Water running is a sign of a plumbing cross-over. Consult a local plumber or service person for help in correcting a plumbing crossover.
2. Check for a clogged inlet water filter screen (see chapter 5.2).
3. Hot water is very hot out of the tap, requiring a lot of cold water to be added with it in order to attain a useable hot water temperature. The addition of too much cold will overpower and slow the flow within the tankless water heater, decreasing it below activation point, which shuts off the burners. The end result is nothing but cold water coming out of the outlet. Reduce the need for cold water mix by setting the gas

slide control button towards the single flame position for lower hot water temperatures. If the problem persists, go to www.boschpro.com for a more detailed service bulletin on this problem.

4. The 330 PN is designed to modulate gas flow to the burners when water flow varies. If the water pressure in the home is erratic and the water flow is not consistent while a tap is opened, then the temperature of hot water will fluctuate. The minimum water pressure for the home should be 30psi or greater. For installation on a private well system with the use of a pressure tank, the lowest pressure range setting recommended is 30-50 psi (2.07-3.45 bar). The use of a pressure reducing/regulating valve before the water heater (directly after pressure tank on well systems) is an effective way to maintain constant water pressure to the water heater. Watts brand 25AUB- 3/4" or N35B-3/4" pressure reducing/regulating valves or equivalent are suggested.

5. If the inlet water temperature is not steady then the hot water temperature from the water heater will fluctuate. The 330 PN modulates its burners when the flow rate is changed; it does not have a thermostat and will not adjust to changes in inlet water temperature.

6. If the inlet water temperature to the water heater is above 70°F, the heater may produce outlet temperatures that are too hot for most users. A temperature balance shower valve can automatically mix in cold water to reduce such hot water temperature. This can slow the flow within the tankless water heater, decreasing it below activation point, which shuts off the burners. In the event of any temperature instability with the use of a temperature balance shower valve, refer to shower valve manufacturer's instructions for internal adjustment setting. An adjustment should be made to minimize the amount of cold water the valve is adding.

7. The gas pressure also needs to be stable and adequate. Ensure gas pressure is in accordance with manufacturer's specifications (see chapter 3.9). A gas pressure reading is needed to proceed further. Contact your original installer or a local certified gas technician to obtain this reading.

8. A water valve, which has not been serviced, may be struggling to keep the gas valve open. The water valve requires periodic maintenance (every 2-5 yrs depending on water quality and use) (see chapter 5.2).

6.7 Water is too hot

1. Verify gas type indicated in rating sticker located on right-hand side of cover, coincides with the gas type you are using. NG is a natural gas unit and LP is for liquid propane.

2. Adjust the gas control slide button from three flame position towards the one flame position for cooler temperatures. If the water is still too hot, the temperature adjustment knob on the water heater maybe set too high. Lower the setting and test water

temperature. This dial turns counter clockwise for lower temperatures and clockwise for higher temperatures.

3. Inlet water is preheated. This model does not have a thermostat and thus will not modulate flame height in order to prevent over heating. It is designed for a cold water feed only. Replumb the heater with cold water to the inlet.

4. Increase the flow rate. Restrictions in the water path can slow the flow of water through the heater, resulting in very hot outlet temperatures. Restrictive showerheads and faucet aerators should be cleaned out or upgraded with less restrictive ones. In addition, the water heater's inlet filter should be cleaned and inspected (see chapter 5.2).

5. If water is still too hot, consult service bulletins on www.boschpro.com to lower outlet temperatures further.

6. If the water has a high mineral content, the heat exchanger may be scaled internally. This restricts the water path, causing the water to boil and produce extremely hot temperatures. Instructions for descaling the heat exchanger are available at www.boschpro.com.

6.8 Water is not hot enough

1. Verify gas type indicated in rating sticker located on right-hand side of cover, coincides with the gas type you are using. NG is a natural gas unit and LP is for liquid propane.

2. Flow at one particular tap is too great or too many fixtures are running at one time. Lower flow to stay within heater's specifications.

3. Ensure the gas control slide button is all the way to the right. In addition, the temperature adjustment knob on water heater maybe set too low. Turn the knob clockwise for higher temperatures and test the water temperature.

4. Shut off installer supplied cold water shut off valve (if none installed, install before proceeding). Open all hot water taps supplied by the heater. Wait 5 minutes and check all taps. Any water running is a sign of a plumbing crossover. Consult a local plumber or service person for help in correcting a plumbing crossover.

5. Inspect the water path outside of the heater for obstructions. Make sure all outlets (i.e. showerheads, faucet aerators and whole house filters) are clear of debris. Also, the water heater's inlet filter screen should be inspected and cleaned (see chapter 5.2)

6. The water valve may be dirty, prohibiting it from fully opening the gas valve. This part needs to be periodically serviced (every 2-5 yrs depending on water quality and use) (see chapter 5.2).

7. Gas pressure is too low. Ensure gas pressure is in accordance with manufacturer's specifications (see chapter 3.9). A gas pressure reading is needed to

proceed further. Contact your original installer or a local certified gas technician to obtain this reading.

6.9 Burners ignite without hot water flow

1. The water valve may be dirty and sticking, prohibiting it from fully closing the gas valve. This part needs to be periodically serviced (every 2-5 yrs depending on water quality and use) (see chapter 5.2).

6.10 Low hot water pressure

1. Confirm adequate flow rate through the unit. With cold supply shut off to the unit, disconnect hot outlet side to the unit. Place a half gallon jug under hot outlet to catch water. Open cold supply and measure flow rate out of the unit. With temperature adjustment knob set all the way clockwise, the flow rate should be close to 2gpm, filling the jug in 15 seconds. With the temperature adjustment knob set all the way counterclockwise, the flow rate should be close to 4gpm, filling the jug in 7 seconds. If the flow rate is not adequate, inspect and clean the inlet filter screen (see chapter 5.2).

2. Confirm the incoming water pressure to the unit is above the required 30psi.

3. Inspect the water path outside of the heater for obstructions. Make sure all outlets (i.e. showerheads, faucet aerators and whole house filters) are clear of debris.

4. Be sure to run only one major application at a time with this unit. Opening too many taps at one time can disperse water flow resulting in a diminished flow/pressure at all outlets.

5. If the water has a high mineral content, the heat exchanger may be scaled internally. This restricts the water path, causing diminished water flow. Instructions for descaling the heat exchanger are available at www.boschpro.com.

6.11 Noise when heater is running

1. Confirm adequate flow rate through the unit. With cold supply shut off to the unit, disconnect hot outlet side to the unit. Place a half gallon jug under hot outlet to catch water. Open cold supply and measure flow rate out of the unit. With temperature adjustment knob set all the way clockwise, the flow rate should be close to 2gpm, filling the jug in 15 seconds. With the temperature adjustment knob set all the way counterclockwise, the flow rate should be close to 4gpm, filling the jug in 7 seconds. If the flow rate is not adequate, inspect and clean the inlet filter screen (see chapter 5.2).

2. Inspect the water path outside of the heater for obstructions. Make sure all outlets (i.e. showerheads, faucet aerators and whole house filters are clear of

debris. Restrictions in the water path can slow water flow through the heat exchanger causing it to boil and make noise.

3. If the water has a high mineral content, the heat exchanger may be scaled internally. This restricts the water path, causing the water to boil resulting in noise and overheating. Instructions for descaling the heat exchanger are available at www.boschpro.com.

6.12 Burners do not operate cleanly; yellow flames when operating

1. Verify gas type indicated in rating sticker located on right-hand side of cover, coincides with the gas type you are using. NG is a natural gas unit and LP is for liquid propane.

2. Gas pressure may be inadequate resulting in improper combustion. Ensure gas pressure is in accordance with manufacturer's specifications (see chapter 3.6). A gas pressure reading is needed to proceed further. Contact your original installer or a licensed gas technician to obtain this reading.

3. For proper combustion at high elevations the inlet gas pressure should be set at installation to the value shown in table 3 on page 11 (while operating at maximum BTU). A gas pressure reading is needed to proceed further. Contact your original installer or a licensed gas technician to obtain this reading.


4. Ventilation is not adequate. Ensure adequate combustion air is being supplied to the unit in accordance with manufacturer's specifications (see chapter 3.6).

5. Make sure the water heater is vented properly. Check for proper draft and ensure venting is in accordance with manufacturer's specifications (see chapter 3.7).

6. The water heater has burners much like a furnace. It is essential that they remain clean and are supplied with adequate air for combustion. If the flames burn yellow or orange, it is strongly recommended that the burners be removed from the unit and cleaned. Once the burners are removed, the fins in the top of the heat exchanger can be accessed and brushed or vacuumed clean. Instructions to remove burners are available at www.boschpro.com.

7 Protecting the environment

Packing

The packing box may be fully recycled as confirmed by the recycling symbol .

Components

Many parts in the heater can be fully recycled in the end of the product life. Contact your city authorities for information about the disposal of recyclable products.

Saving water resources:

- ▶ Make sure you close all the taps after any use. Avoid leaving the taps dripping. Repair any leaking tap.
- ▶ Set the water heat to the temperature you want. This way you have the precise water flow needed (mixing cold water to regulate temperature will increase the water flow with consequent waste of water).

For increased safety shut off the appliance from the main water supply if you are staying away from home for a considerable time.

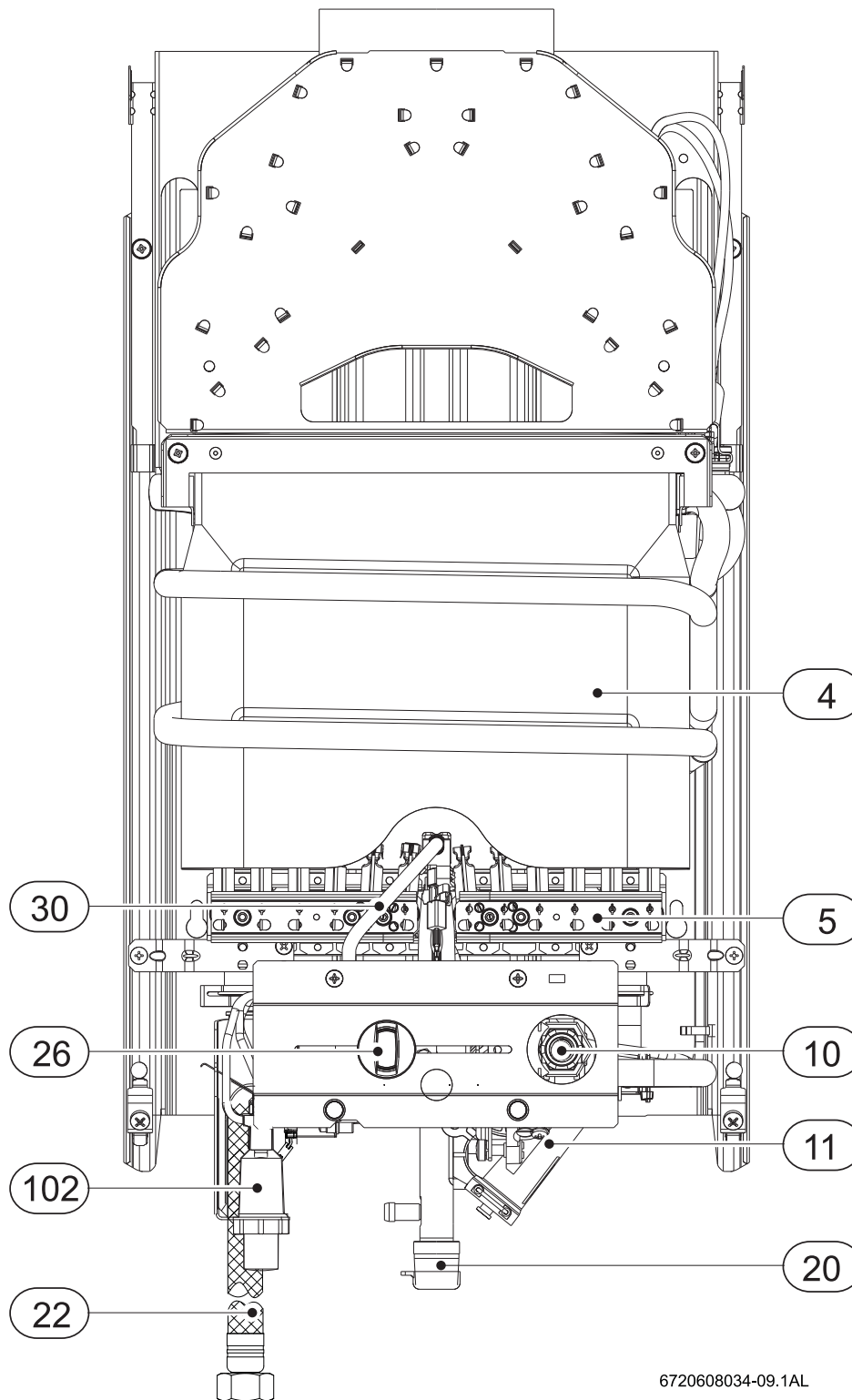
At below freezing temperatures, disconnect the plumbing connections to the heater and allow the heater to drain.

To prevent any freeze damage, introduce short bursts of compressed air (20-40 psi) through these connections to remove the residual water in the horizontal pipes and water valve.

Follow instructions in chapter 4.5 to remove any additional water remaining in the watervalue and heat exchanger.

8 Interior components and diagram parts list

8.1 Interior components

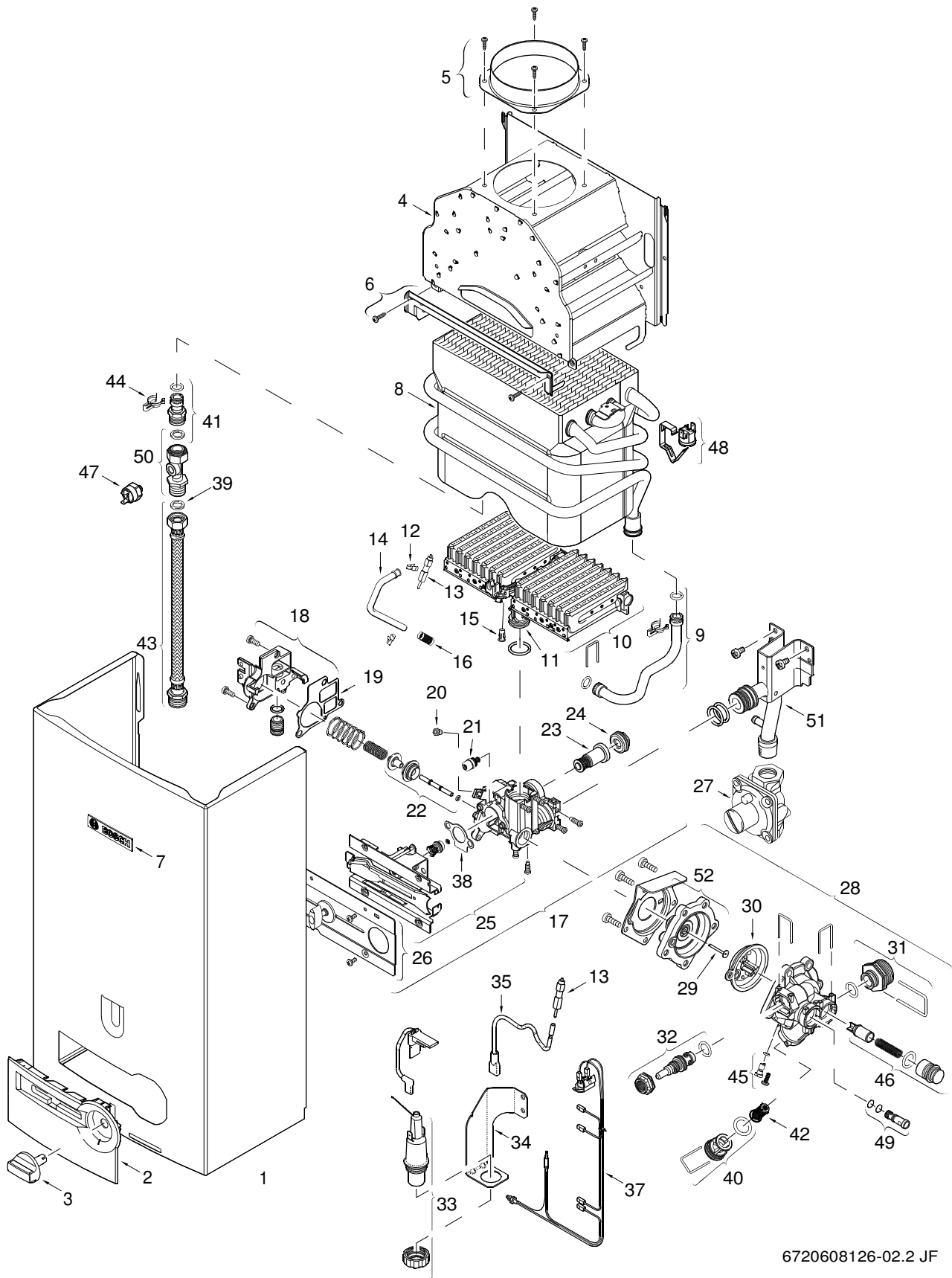


6720608034-09.1AL

Fig. 27 Functional scheme

4	Heat exchanger	22	Flexible hot outlet
5	Burner	26	Gas control slide
10	Temperature adjustment selector	30	Pilot gas tubing
11	Water valve	102	Piezo
20	Gas connection		

8.2 Components diagram



6720608126-02.2 JF

Fig. 28 Components Diagram

8.3 Parts list

Item	Description	Reference
1	Front cover	8 705 431 413 0
2	Shield	8 705 506 911 0
3	Temp. control knob	8 702 000 295 0
4	Draft Diverter	8 705 505 438 0
5	Exhaust pipe union Ø128	8 705 504 150 0
6	Angle bracket	8 708 003 190 0
7	Trade mark badge	8 701 103 135 0
8	Heat exchanger	8 705 406 384 0
9	Cold water pipe	8 700 715 036 0
10	Main burner NG	8 708 120 504 0
10	Main burner LP	8 708 120 617 0
11	Connector	8 705 209 062 0
12	Piezo clip (x10)	8 701 201 019 0
13	Sparking plug	8 748 107 089 0
14	Pilot gas pipe	8 700 707 369 0
15	Tube (x10)	8 740 609 002 0
16	Pilot screen	8 700 507 067 0
17	Gas valve NG	8 707 021 395 0
17	Gas valve LP	8 707 021 396 0
18	Throttle housing	8 705 502 067 0
19	Washer (x10)	8 701 004 044 0
20	Pilot injector LP	8 708 200 326 0
20	Pilot injector NG	8 708 200 327 0
21	Pilot valve	8 708 500 301 0
22	Poppet valve head (2) NG	8 708 500 358 0
22	Poppet valve head (3) LP	8 708 500 359 0
23	Electromagnet	8 707 201 028 0
24	Electromagnet cap	8 703 305 283 0
25	Valve operation housing	8 708 008 069 0
26	Guide plate	8 701 000 380 0
27	Gas pressure regulator LP	8 707 406 083 0
27	Gas pressure regulator NG	8 707 406 084 0
28	Water valve	8 707 006 286 0
29	Watervalue pushrod (10x)	8 703 204 051 0
30	Diaphragm (A)	8 700 503 079 0
31	Inlet water connection	8 700 306 110 0
32	Selector screw	8 708 500 332 0
33	Piezo igniter	8 708 108 051 0
34	Fixing bracket	8 701 302 181 0
35	Ignition lead	8 704 401 040 0
37	Flue gas safety device	8 707 206 445 0
38	Washer (x10)	8 701 004 043 0
39	Heat exchanger washer	8 700 103 658 0
40	Threaded bushing	8 700 306 148 0
41	Connector	8 700 306 187 0
42	Water Filter	8 700 507 059 0
43	Outlet Hose	8 700 703 139 0
44	Water connection clip	8 701 201 020 0
45	Plunger	8 703 502 039 0
46	Volumetric water governor	8 705 705 034 0
47	ECO	8 707 206 017 0
48	Temperature Limiter	8 707 206 435 0
49	Venturi	8 708 205 279 0
50	Hot water pipe	8 700 715 178 0
51	Gas supply pipe	8 700 715 351 0
52	Cover	8 705 500 105 0

Table 5

9 Fifteen Year Limited Warranty

General

BOSCH PRO water heaters are warranted by the Manufacturer (BOSCH) through *Bosch Thermotechnology Corp.*

Bosch Thermotechnology Corp. will furnish a replacement heat exchanger and will furnish a replacement of any other part which fails in normal use and service within the applicable periods specified below, in accordance with the terms of this warranty. The *Bosch Thermotechnology Corp.* replacement will be warranted for the unexpired portion of the original warranty. This warranty will be valid only for water heaters in possession of the original purchaser as recorded on the warranty card.

The Heat Exchanger

If the heat exchanger fails within fifteen (15) years after the original installation and operation *Bosch Thermotechnology Corp.* will furnish a replacement heat exchanger. However, if the water heater is installed in other than a single family dwelling this heat exchanger warranty is limited to two (2) years from date of original installation and operation.

Exceptions

This warranty will not apply:

- **1.** to defects or malfunctions resulting from failure to properly install, operate or maintain the unit in accordance with the printed instructions provided;
- **2.** to damage or abuse, accident, neglect or freezing and other acts of nature;
- **3.** to damage resulting from operation with either the flame sensor rod or overheat sensor removed;
- **4.** to failure of the heat exchanger resulting from the operation of the water heater in a corrosive atmosphere or at water temperatures exceeding the maximum rating, or if the water heater is not supplied with potable water;
- **5.** to defects or damage cause by any attachment or modification, including any energy-saving device.

All Other Parts

If any other part fails within two (2) years after original installation and operation, *Bosch Thermotechnology Corp.* will furnish a replacement part free of charge.

Shipping costs

In addition to supplying the replacement part(s), *Bosch Thermotechnology Corp.* will provide ground service delivery for these parts. Expedited or upgraded shipping will be charged to the customer.

Service Labor Costs

This warranty does not cover any labor costs associated with service, removal or re-installation of

part(s). All such costs must be borne by the Purchaser. Additionally, this warranty does not cover any labor costs associated with service, removal or re-installation of the original water heater or a replaced water heater.



Note: the water heater must be free of damaging scale deposits and not subject to gas pressures greater than those shown on the rating plate, which must not be altered, defaced or removed.

How to Make a Claim

Any claim for warranty parts should be made to your local dealer, distributor or to *Bosch Thermotechnology Corp.* If *Bosch Thermotechnology Corp.*, please contact the Technical Support Department:

BOSCH THERMOTECHNOLOGY CORP.
50 Wentworth Avenue
Londonderry, NH 03053
Tel. 866-330-2730
www.boschpro.com

In most cases, the dealer or distributor will be able to promptly honor your claim and subsequently notify *Bosch Thermotechnology Corp.* However, all replacements are made subject to validation by *Bosch Thermotechnology Corp.* of in-warranty coverage. The damaged or defective item must be made available in exchange for the replacement.

Miscellaneous

No one is authorized to make any other warranties on behalf of *Bosch Thermotechnology Corp.* It is expressly understood that the replacement warranty of *Bosch Thermotechnology Corp.* shall be in lieu of any and all other warranties, express or implied, including warranties of merchantability or fitness for a particular use or purpose, and further that *Bosch Thermotechnology Corp.* shall not be liable for any loss or damage directly or indirectly arising from the use of the hot water heater, or for any consequential damages arising from such use (including damages from water leakage). *Bosch Thermotechnology Corp.* sole liability with respect to any defect shall be for the replacement of the defective part(s). Some states do not allow such limitations and exclusions, so the above may not apply to you.

This warranty gives specific legal rights. You may also have other rights which vary from state to state.



6720644951

Installer Checklist, to be performed by installer upon installation

Serial Number _____
(8 digit serial number is located on rating plate on right side panel)

Gas Pressure Reading* Static _____ Operating _____

Building Water Pressure _____ Range if on Well system _____

Average Winter Temperature _____

Average Summer Temperature _____

Installing Company _____

Installer name _____

Address _____

Phone _____

* See Chapter 3.8 and gas pressure table (to be filled out by installer)

Installation manual should be left with the owner after the installation is tested and completed

BOSCH THERMOTECHNOLOGY CORP.

50 Wentworth Avenue
Londonderry, NH 03053 USA
Tel. 866-330-2730
www.boschpro.com

Bosch Termotecnologia SA
Estrada de Cacia
3800 - 533 Cacia - PORTUGAL