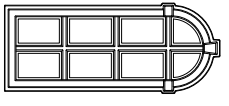
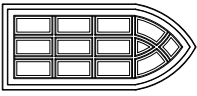
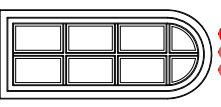
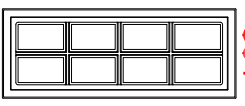


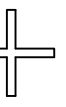



**Cupola Data**  
 Overall Height = 14'  
 Base Width = 6'  
 Unit Weight = 800 lbs.

**Optional Window Panels**

- 310  Keystone
- 303  Venetian
- 309  Round Top
- 301  Squared

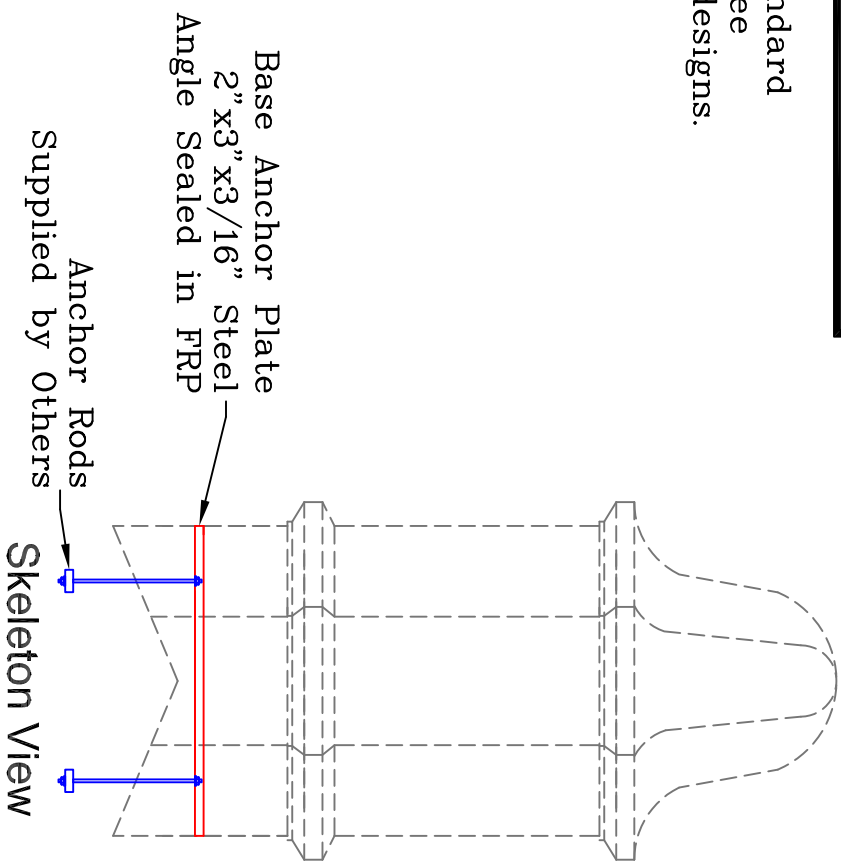
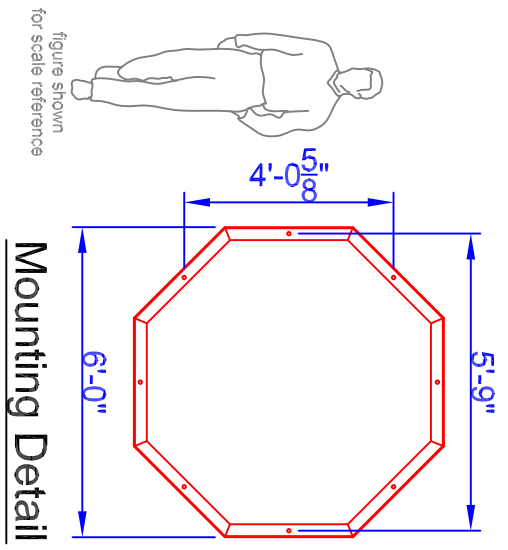
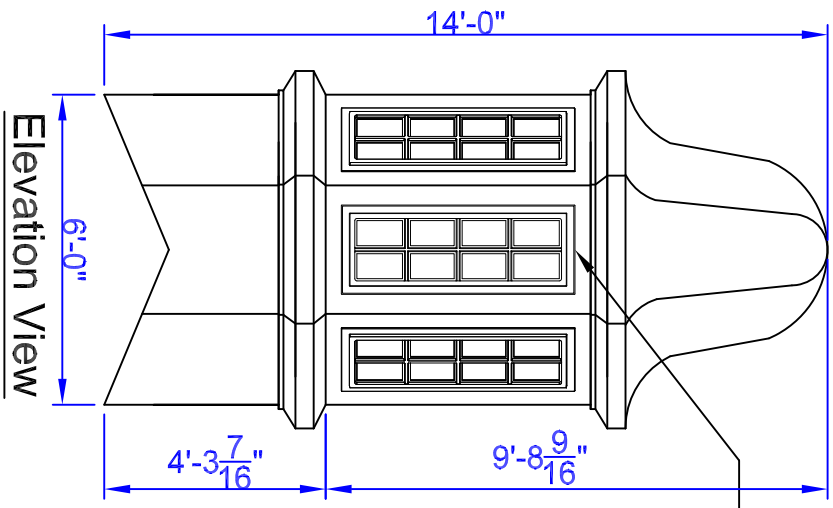
Note: Windows also available without panes.

**Optional Cupola Finials**

-  36" Cross
-  8"Ø Sphere
-  36" Aluminum Spire
-  8"Ø Sphere

Weather/vane selection at:  
[www.whitehallproducts.com](http://www.whitehallproducts.com)

Base Panels: WR comes standard with 8 K-glass windows. See above for optional window designs.



Note: All drawings are the property of Piedmont Fiberglass. Dimensions & designs may be altered to accommodate manufacturing.



**Piedmont Fiberglass Inc.**  
 PO Box 1089  
 Taylorsville, NC 28681  
 Phone: 828-632-8883  
 Fax: 828-632-5585  
[www.piedmontfiberglass.com](http://www.piedmontfiberglass.com)

Model: **Cupola**

Scale: **scale**  
 Drawn By: **TJD/JEM**  
 Created On: **2/12/07**  
 Updated On: **11/9/10**

Old Fashioned Craftsmanship With Modern Composites' Technology