

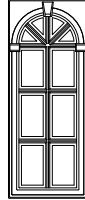
Cupola Data

Overall Height = 10'-3"
 Base Width = 4'
 Unit Weight = 275 lbs.

Base Panel: WR comes standard with 8 K-glass windows. See above for optional window designs.

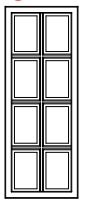
Optional Window Panels

304



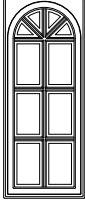
Keystone

311



Squared

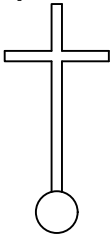
306




Round Top

Note: Windows also available without panes.

Optional Cupola Finials

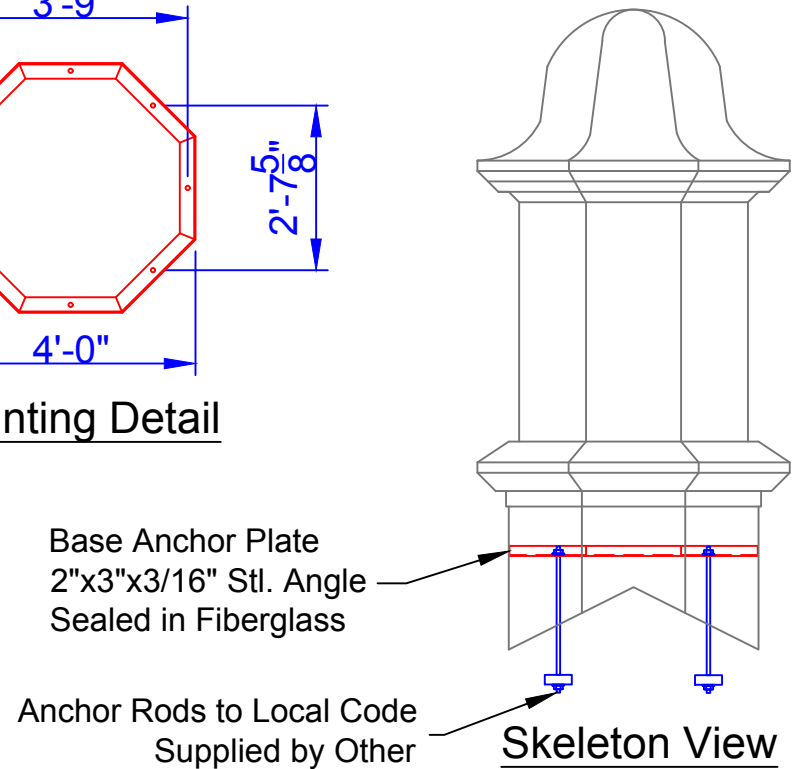
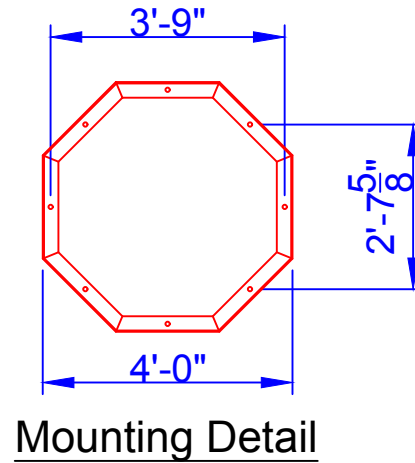
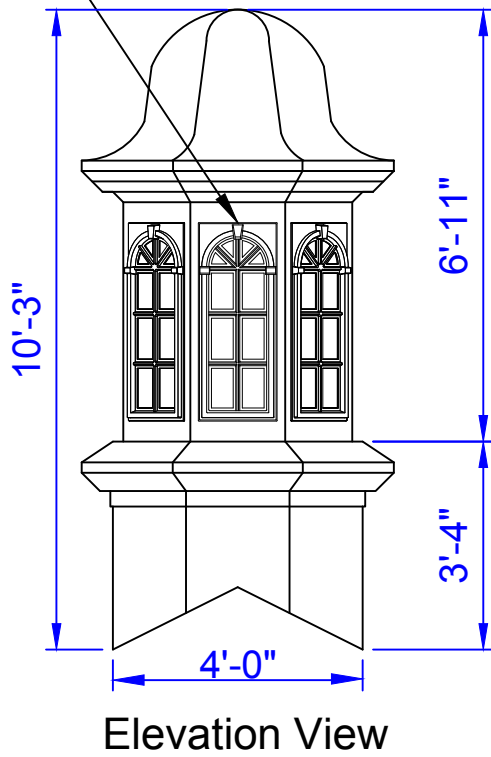


36" Cross
8"Ø Sphere



36" Aluminum Spire
8"Ø Sphere

Weathervane selection at :
www.whitehallproducts.com



PIEDMONT
 COMPOSITES & TOOLING

33 Lewittes Rd.
 Taylorsville, NC 28681
 Phone: 828-632-8883
 Fax: 828-632-5585
www.piedmontcomposites.com

Model :

CUPOLA

900WR

Scale:
 N/A

Drawn by:
 C.BOTHOS

Created On

-

Updated On
 03/27/19

Note: All drawings are the property of Piedmont Composites & Tooling, LLC. Variation in material thickness, dimension and weight may occur. PCT reserves the right to change or modify design at anytime without notice.