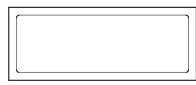



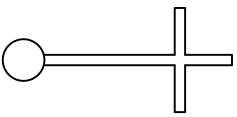



**Cupola Data**  
 Overall Height = 10'-3"  
 Base Width = 4'  
 Unit Weight = 275 lbs.

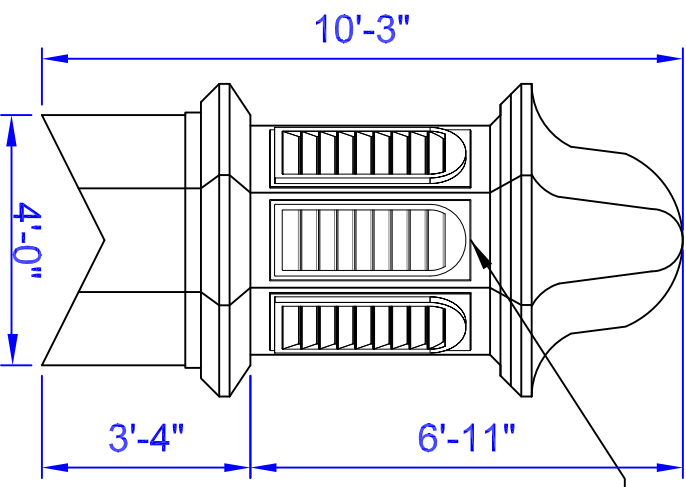
**Available Standard Panels**

Decorative		601
Sq. Louver		104
Round Top Louver		108
Scallop		501

**Optional Cupola Finials**

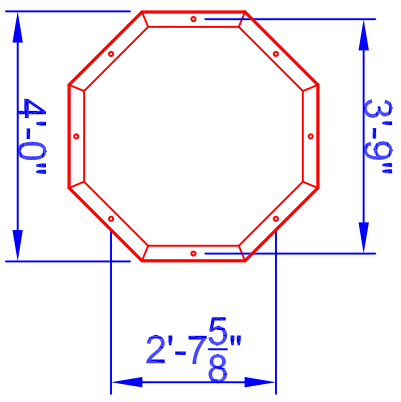
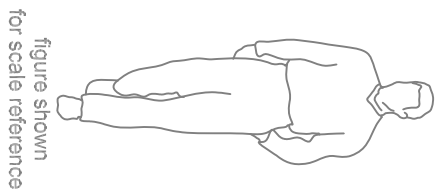
	36" Cross 8"Ø Sphere		36" Aluminum Spire 8"Ø Sphere
---	-------------------------	---	----------------------------------

Weatherane selection at :  
[www.whitehallproducts.com](http://www.whitehallproducts.com)



**Elevation View**

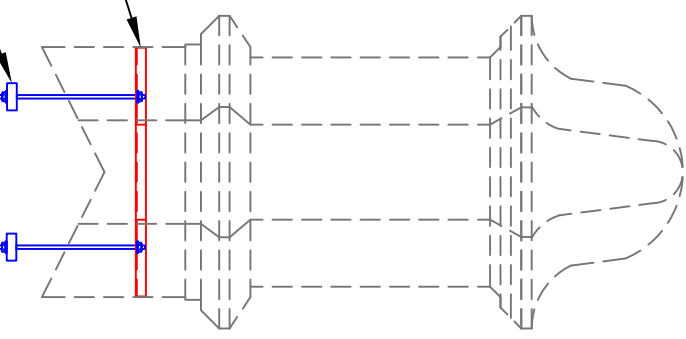
Base Panels – See Available Options Above



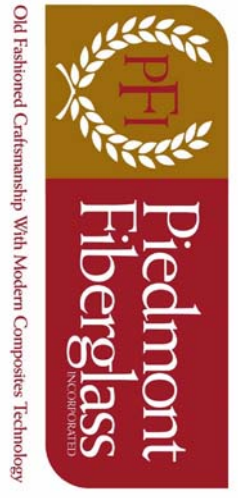
**Mounting Detail**

Base Anchor Plate  
 2" x 3" x 3/16" Steel Angle  
 Sealed in FRP  
 Anchor Rods  
 Supplied by Others

**Skeleton View**



Note: All drawings are the property of Piedmont Fiberglass. Dimensions & designs may be altered to accommodate manufacturing.



**Piedmont Fiberglass Inc.**  
 PO Box 1089  
 Taylorsville, NC 28681  
 Phone: 828-632-8883  
 Fax: 828-632-5585  
[www.piedmontfiberglass.com](http://www.piedmontfiberglass.com)

**Cupola**  
 Model: **900-LR**

Scale: **scale**  
 Drawn By: **TJD/JEM**  
 Created On: **2/10/07**  
 Updated On: **11/23/10**