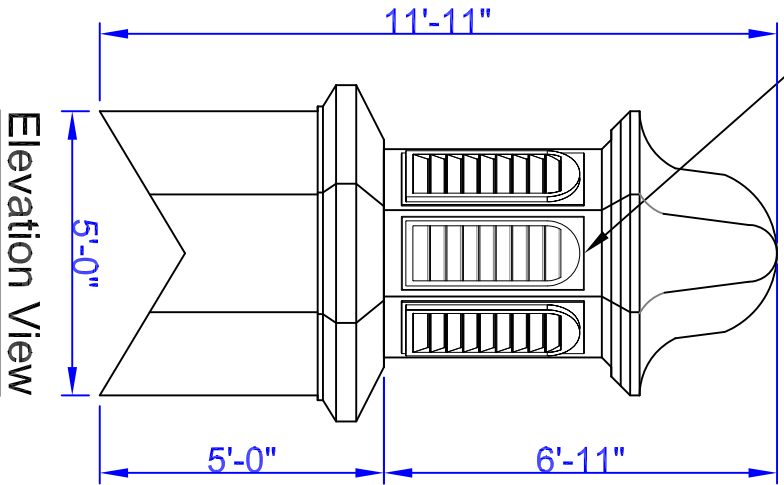
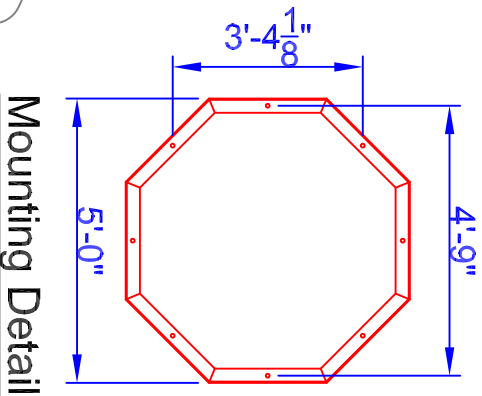
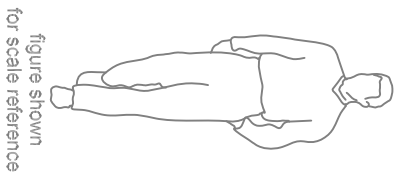


Cupola Data
 Overall Height = 11'-11"
 Base Width = 5'
 Unit Weight = 575 lbs.

Base Panels – See Available Options Above



Elevation View



Mounting Detail

Available Standard Panels

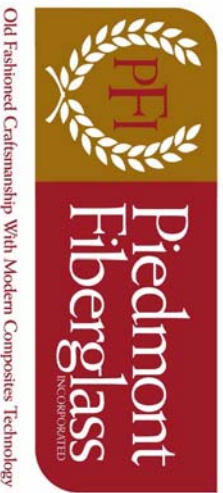
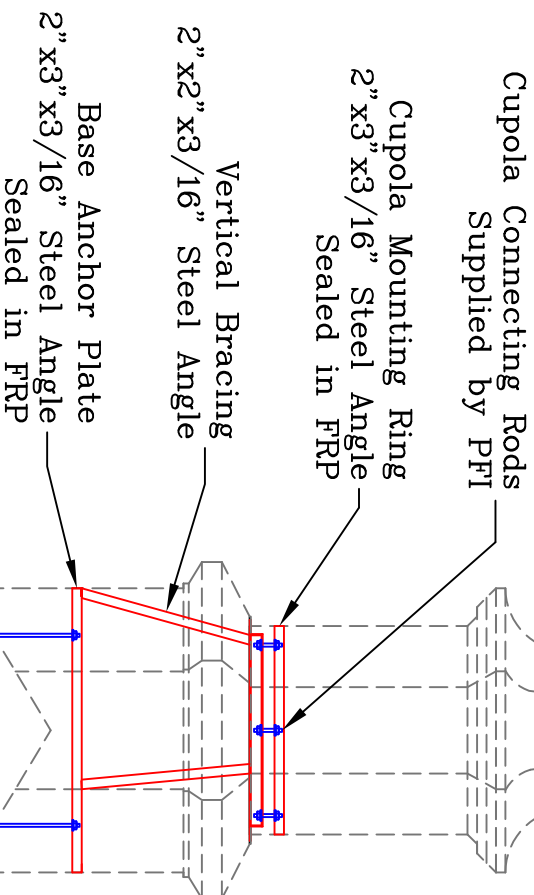
Decorative	601
Sq. Louver	104
Round Top Louver	108
Scallop	501

Optional Cupola Finials

	36" Cross 8"Ø Sphere
	36" Aluminum Spire 8"Ø Sphere

Weatheravane selection at :
www.whitehallproducts.com

Note: All drawings are the property of Piedmont Fiberglass. Dimensions & designs may be altered to accommodate manufacturing.



Old Fashioned Craftsmanship With Modern Composites Technology

Piedmont Fiberglass Inc.
 PO Box 1089
 Taylorsville, NC 28681
 Phone: 828-632-8883
 Fax: 828-632-5585
www.piedmontfiberglass.com

Cupola

Model:

830-SLR

Scale: **scale**

Drawn By: **TJD/JEM**

Created On: **2/10/07**

Updated On: **11/16/10**