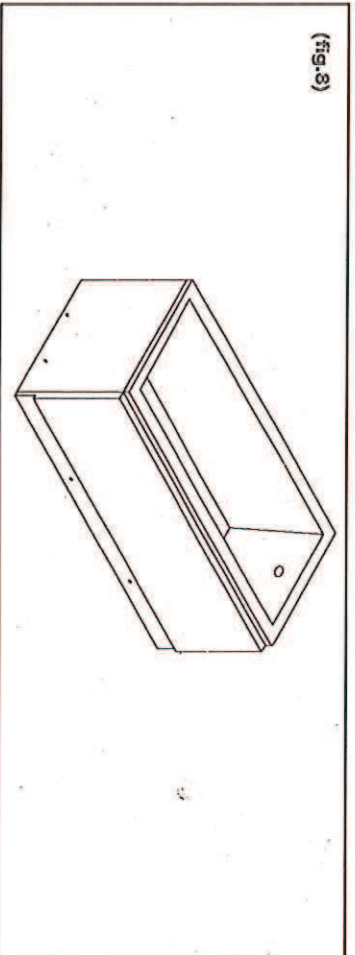
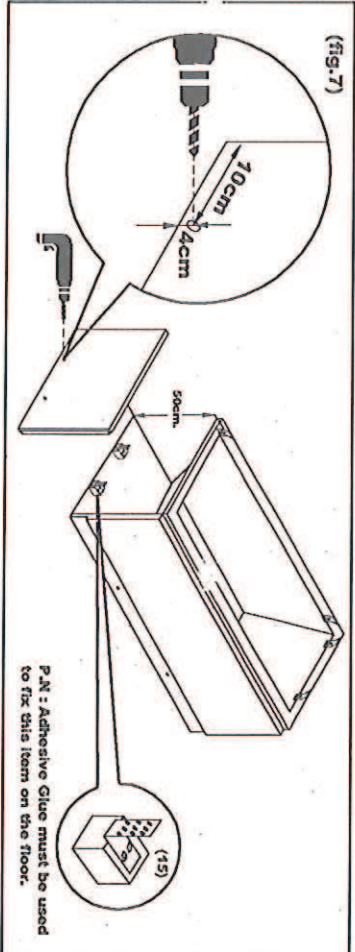
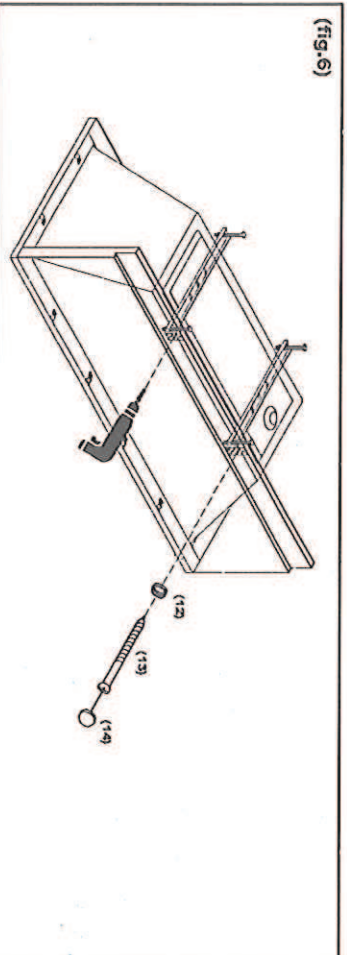
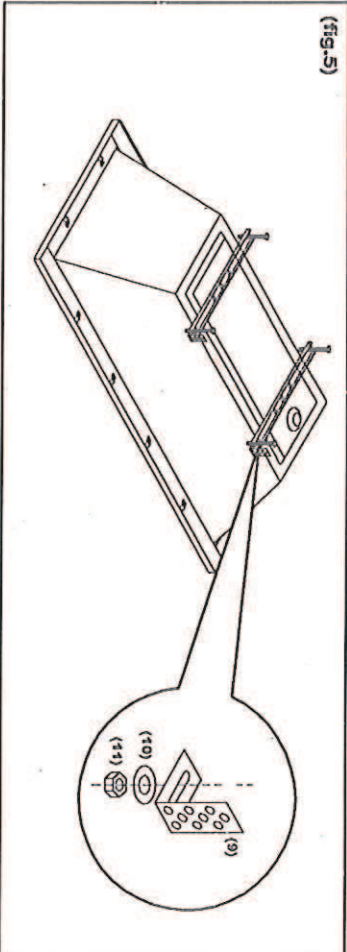
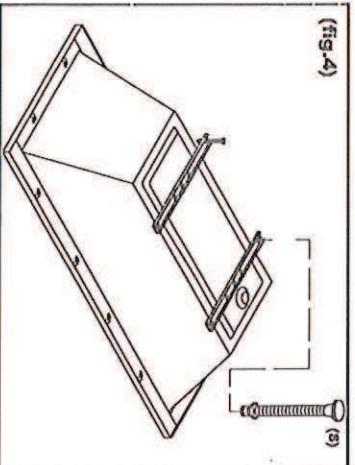
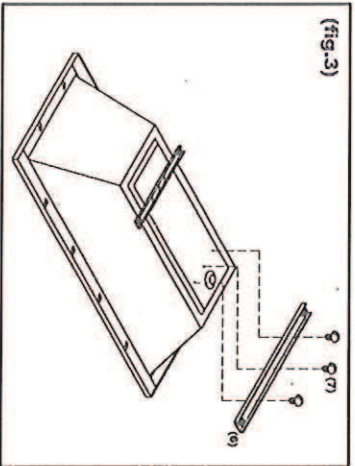
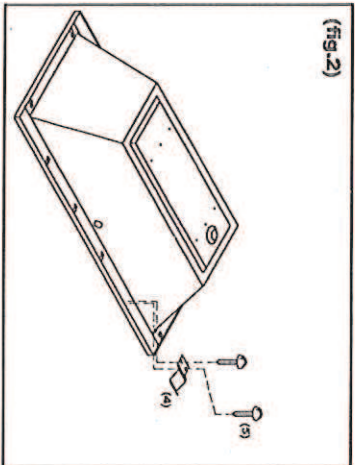
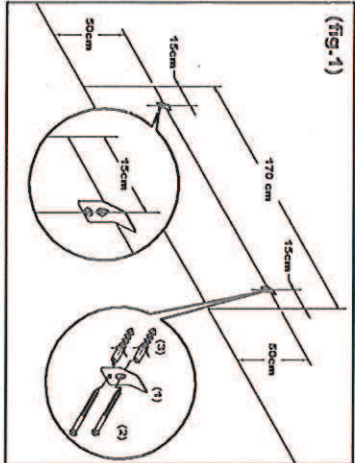


MOUNTING INSTRUCTIONS

(Overlap side panel Right - Left Direction)



P.N : Adhesive Glue must be used to fix this item on the floor.

Item Check List		Item	1	2	3	4	5	6	7	8	9	10	11	12	13	14	15
		Qty.	4	3	3	4	2	3	4	2	2	2	2	2	2	2	2

- (*) Items delivered with bathtub.
- (^) Items delivered with front panel.
- (~) Items delivered with Side panel.