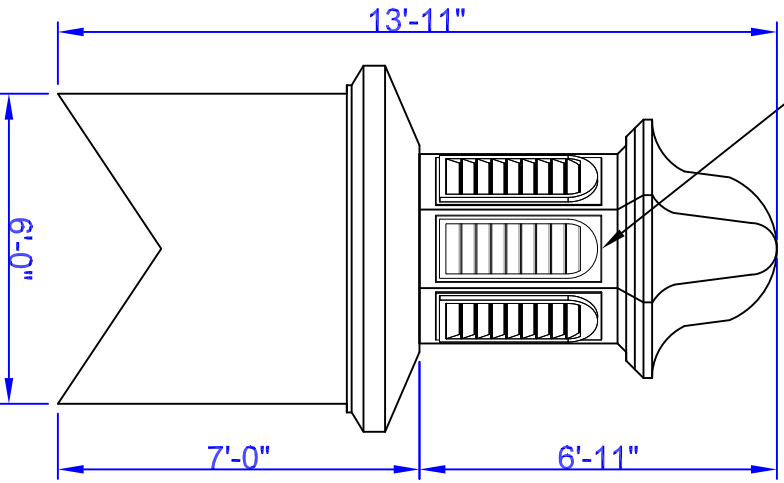


Cupola Data
 Overall Height = 13'-11"
 Base Width = 6'
 Unit Weight = 800 lbs.

Base Panels – See Available Options Above



Elevation View

Note: All drawings are the property of Piedmont Fiberglass. Dimensions & designs may be altered to accommodate manufacturing.

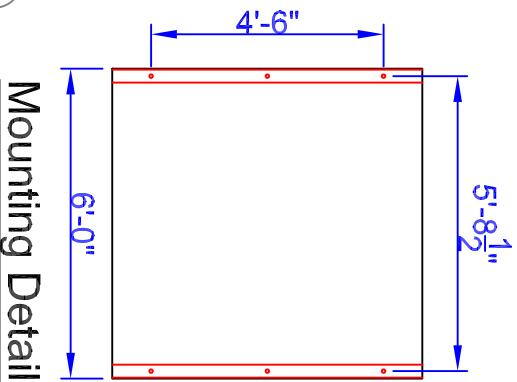
Available Standard Panels

601	Decorative
104	Sq. Louver
108	Round Top Louver
501	Scallop

Optional Cupola Finials

36" Cross 8"Ø Sphere	36" Aluminum Spire 8"Ø Sphere
-------------------------	----------------------------------

Weathervane selection at:
www.whitehallproducts.com



Mounting Detail

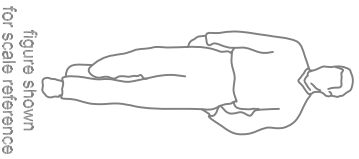
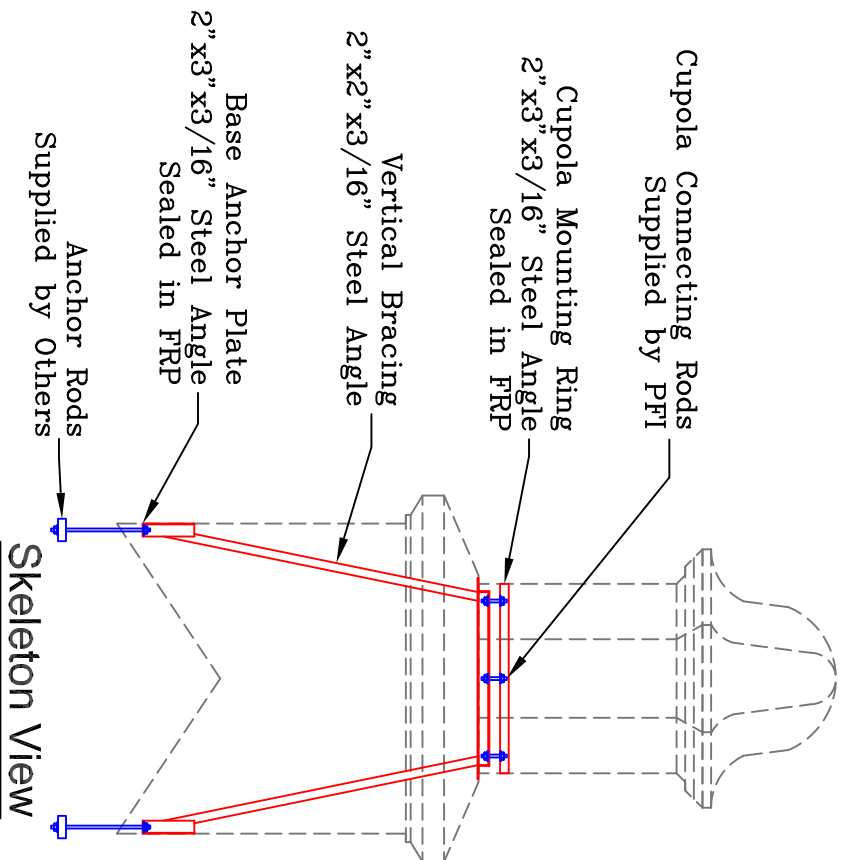


figure shown for scale reference



Skeleton View



Old Fashioned Craftsmanship With Modern Composites' Technology

Piedmont Fiberglass Inc.
 PO Box 1089
 Taylorsville, NC 28681
 Phone: 828-632-8883
 Fax: 828-632-5585
www.piedmontfiberglass.com

Cupola

Model: **860-LR**

Scale: **scale**

Drawn By: **TJD/JEM**

Created On: **2/13/07**

Updated On: **11/19/10**