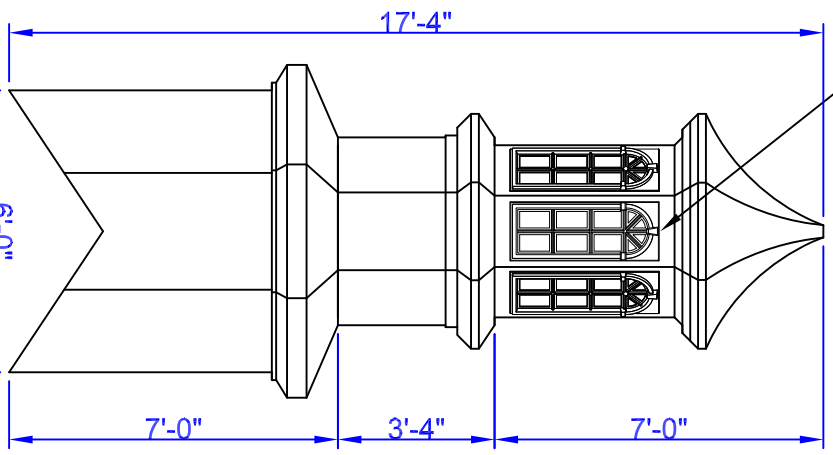


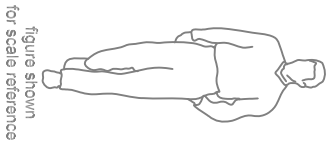
Cupola Data
 Overall Height = 17'-4"
 Base Width = 6'
 Unit Weight = 925 lbs.

Base Panel: WP comes standard with 8 K-glass windows. See above for optional window designs.



Elevation View

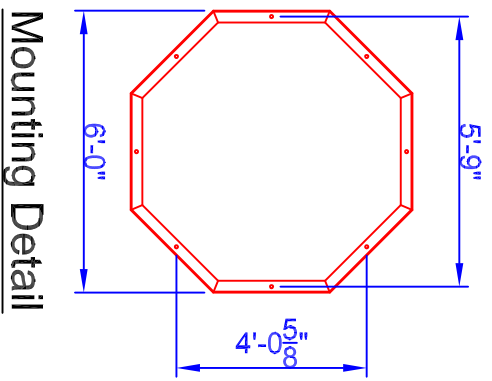
Note: All drawings are the property of Piedmont Fiberglass. Dimensions & designs may be altered to accommodate manufacturing.



Optional Window Panels

304 Keystone
 311 Squared
 306 Round Top

Note: Windows also available without panes.

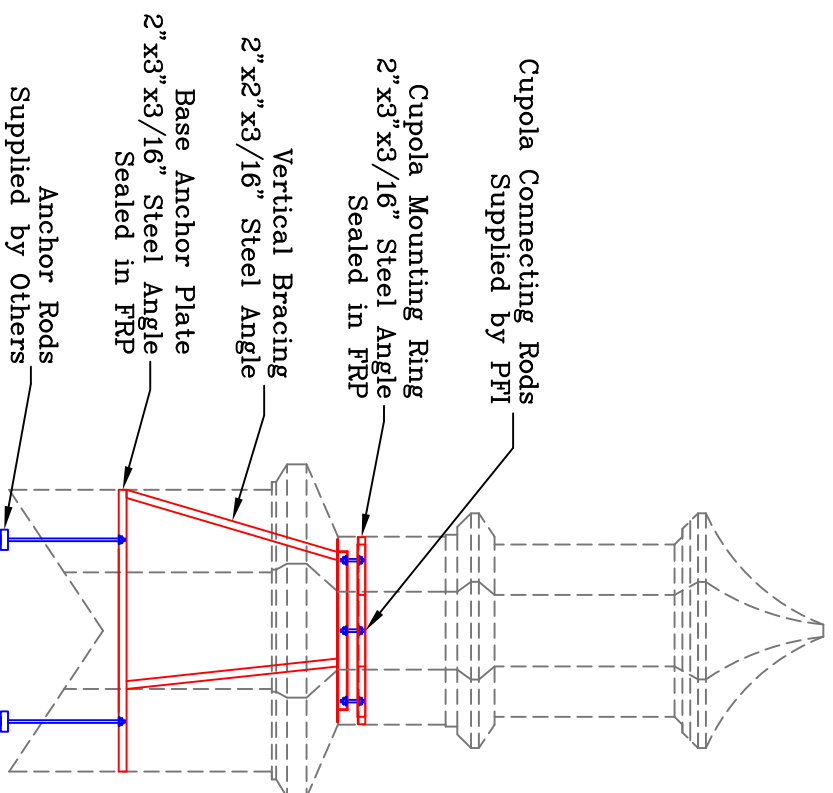


Mounting Detail

Optional Cupola Finials

36" Cross
 8"Ø Sphere
 36" Aluminum Spire
 8"Ø Sphere

Weather vane selection at:
www.whitehallproducts.com



Skeleton View

PFI
Piedmont Fiberglass
 INCORPORATED

Old Fashioned Craftsmanship With Modern Composites Technology

Piedmont Fiberglass Inc.
 PO Box 1089
 Taylorsville, NC 28681
 Phone: 828-632-8883
 Fax: 828-632-5585
www.piedmontfiberglass.com

Model: **Cupola**

Scale: **scale**
 Drawn By: **TJD/JEM**
 Created On: **2/18/07**
 Updated On: **12/03/10**

970-WP