

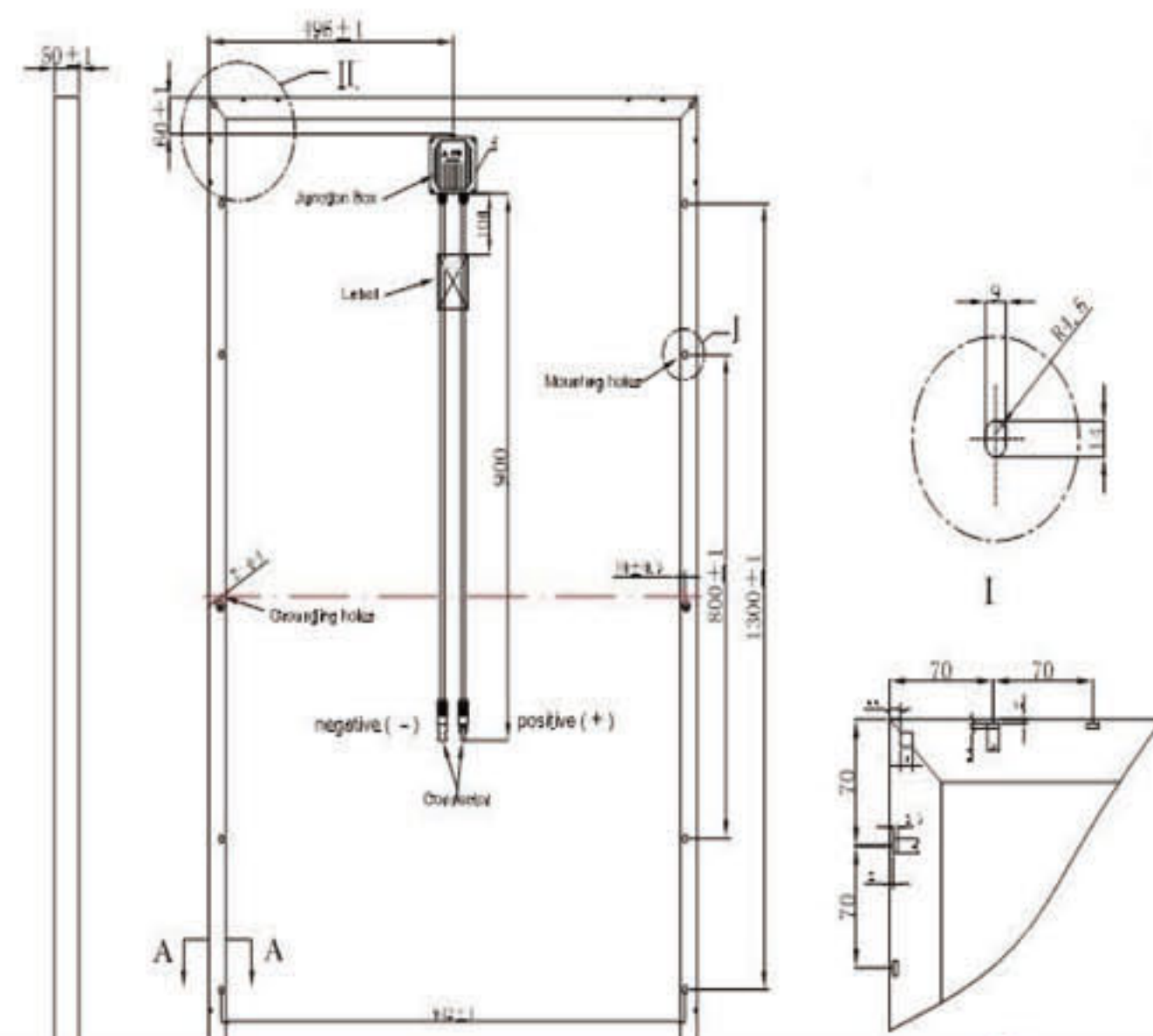
SOLAR PHOTOVOLTAIC MODULE

PRODUCT OVERVIEW

- INE's modules have various items, optimally manufactured and adjusted to meet the demands of the current market;
- Simple and easy installation with scientifically designed module dimension.
- Fully complying to TUV,IEC,CE testing standards.

MODULE CHARACTERISTICS

- High module conversion efficiency, through superior manufacturing technology.
- High transmission low iron tempered glass, strong mechanical resistance.
- Standard waterproof junction box, with bypass diode.
- High endurance to different atrocious weather.
- Excellent performance under low light environments.
- Custom designed modules according to clients' requirements.



INE23060 Series



Parameters	INE-230P	INE-235P	INE-240P	INE-245P	INE-250P	INE-255P
Peak power Pm(W)	230±3%	235±3%	240±3%	245±3%	250±3%	255±3%
Open circuit voltage Voc(V)	36.6	37.2	37.2	37.2	37.8	37.8
Max. power voltage Vmp(V)	29.5	30.0	30.0	30.0	30.5	30.5
Max. power current Imp(A)	7.80	7.83	8.00	8.17	8.20	8.36
Short circuit current Isc(A)	8.42	8.46	8.65	8.74	8.85	8.95
Dimensions(L*W*H)	1650*992*50					
Weigh(kg)	19.5					
Max. over-current (A)	15					
Max. system voltage (V)	1000V DC					
Application Class	Class A					
Mono crystalline silicon solar cell	156*156*0.19mm					
No. of cells and connections	60 series					
No. of bypass diodes	6					
Bypass diode rating (A)	10					
Bypass diode max. junction temperature(°C)	200					
Bypass diode thermal resistance(°C/W)	3.0					
STC	Irradiance:1000W/m ² ,Cell temperature:25°C,AM:1.5					
Guarantee	10-year limited product warranty					
Limited performance warranty	10 years at 90% of the minimal rated power output, 25 years at 80% of the minimal rated power out put.					

Infinity New Energy Co.,Ltd

Add: Jinwan Industrial Zone

Zhouzhuang , Jiangyin, Jiangsu, China.214423

TEL: +86 510 86905687 FAX: +86 510 86905687

www.infinitynewenergy.com

Email: info@infinitynewenergy.com

