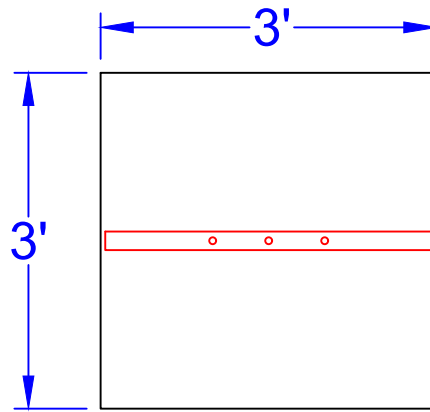


Cupola Data

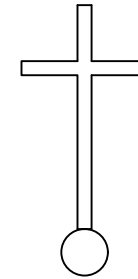
Overall Height = 3' 9"
Base Width = 3'
Unit Weight = 75 lbs.



Steel Anchor Plate
(2"x2"x3/16" Stl. Angle)
Sealed in Fiberglass

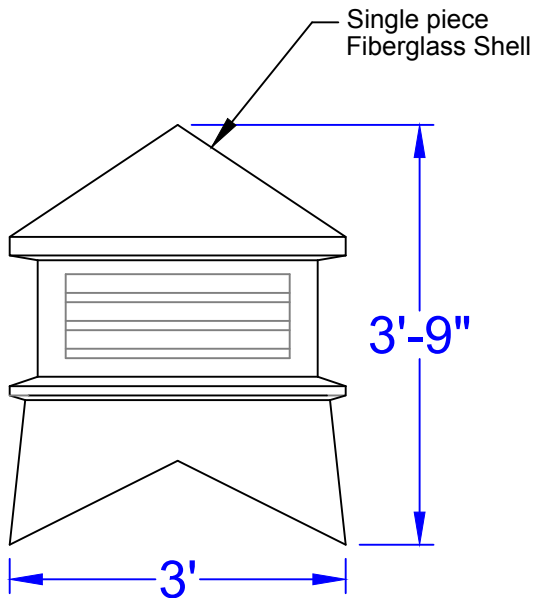
Mounting Detail

Optional Cupola Finials

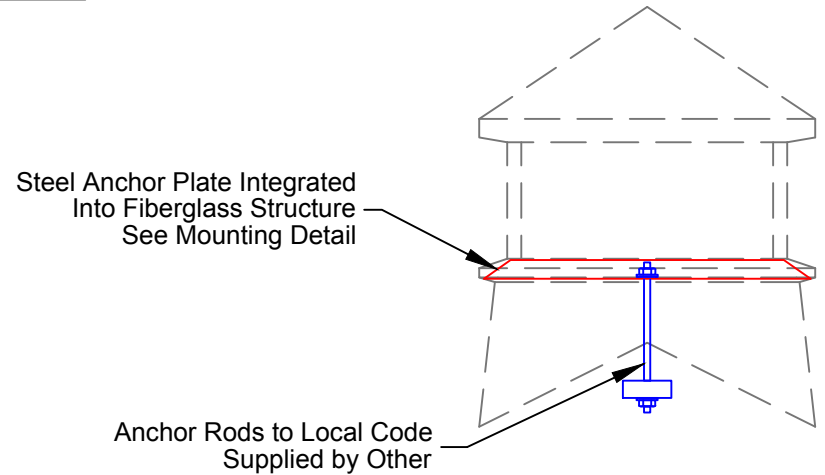


24" Cross
5"Ø Sphere

Weathervane selection at :
www.whitehallproducts.com



Elevation View



Skeleton View



PIEDMONT
COMPOSITES & TOOLING

33 Lewittes Rd.
Taylorsville, NC 28681
Phone: 828-632-8883
Fax: 828-632-5585
www.piedmontcomposites.com

CUPOLA

Model :

300

Scale:
N/A

Drawn by:
K.SHERRILL

Created On
N/A

Updated On
05/07/19

Note: All drawings are the property of Piedmont Composites & Tooling, LLC. Variation in material thickness, dimension and weight may occur. PCT reserves the right to change or modify design at anytime without notice.