

CEILING LIGHT FIXTURE SCHEDULE						
Number	Description	QTY	Manufacturer	Elec.	NOTE	Other Requirements
A	S232-2550-DUE	10	L.S.	(2) F-321B/SPX41ECC	Surface Mount Vertical Inside Casework	wired thru ceiling, separate breaker, lamp on continuously
D	S232-55010-DUE	9	L.S.	(2) F-321B/SPX41ECC	MOUNT HORIZONTAL ON SPANNER SOFFIT	wired thru ceiling and attach to installed casework
E	S22550-DUE	5	L.S.	(2) F-321A/SPX41ECC	MOUNT HORIZONTAL ON SPANNER SOFFIT	wired thru ceiling and attach to installed casework
H	(1) 18W TRACK FS41WH HEAD (4) 14WH FS41WH	5	Juko	75W PAF-20	Surface Mount	Separate Switch
Is	Lay-In Light Fixture	1	-	-	-	-
J	H5-242-B-J-50-1835-1835-M77LE-AP-SI COAX BLUE	3	LRL	50W MED	MOUNT 6\"/>	
K	EXIT SIGN (MODEL # NP35RW)	2	NAVILITE	-	WALL MOUNTED ABOVE EXIT	Separate Switch

NOTE LIGHTS (A) TO BE ON SEPARATE BREAKER AND LEFT ON CONTINUOUSLY.
 NOTE LIGHTS A, B, AND D TO BE WIRED THRU CEILING AND ATTACHED WHEN CASEWORK IS INSTALLED.

- ELECTRICAL NOTES:**
- ALL WORK TO STRICTLY COMPLY WITH ALL FEDERAL, STATE & LOCAL CODES.
 - ALL EMERGENCY AND EXIT LIGHTS SHALL BE BUILDING STANDARDS AND APPROVED BY OWNER.
 - POSITIONS OF NON-DIMENSIONED LIGHTS SHALL BE SITE CONFIRMED.
 - ALL DIMENSIONS SHALL BE SITE CONFIRMED.
 - REFER TO ARCHITECTURAL REFLECTIVE CEILING PLAN FOR EXACT LOCATION OF LIGHT FIXTURES.
 - CHECK WITH STORE OWNER FOR RE-LOCATION OF/OR FOR ADDITIONAL TRACK LIGHTING.
 - ELECTRICIAN TO PROVIDE ALL EMERGENCY AND EXIT LIGHTING AS REQUIRED.
 - PHONE AND DATA BY ELECTRICIAN, TERMINATIONS AND JACKS BY OWNER'S PHONE PROVIDER.
 - CHECK WITH OWNER FOR SPECIFICATIONS OF EXTERIOR/INTERIOR SIGNAGE, NIGHT LIGHTS AND DIMMERS, MUST BE INCLUDED.
 - CAT-5 TELEPHONE/DATA WIRE TO BE DIFFERENT COLORS-ONE FOR DATA AND ONE FOR PHONE.
 - TERMINATION OF WIRES TO BE DONE BY OWNER'S PHONE SYSTEM INSTALLER AND COMPUTER INSTALLER.
 - CHECK WITH OWNER ON STEREO SPEAKER LOCATION AND HOOK UP.

GENERAL BID NOTES:

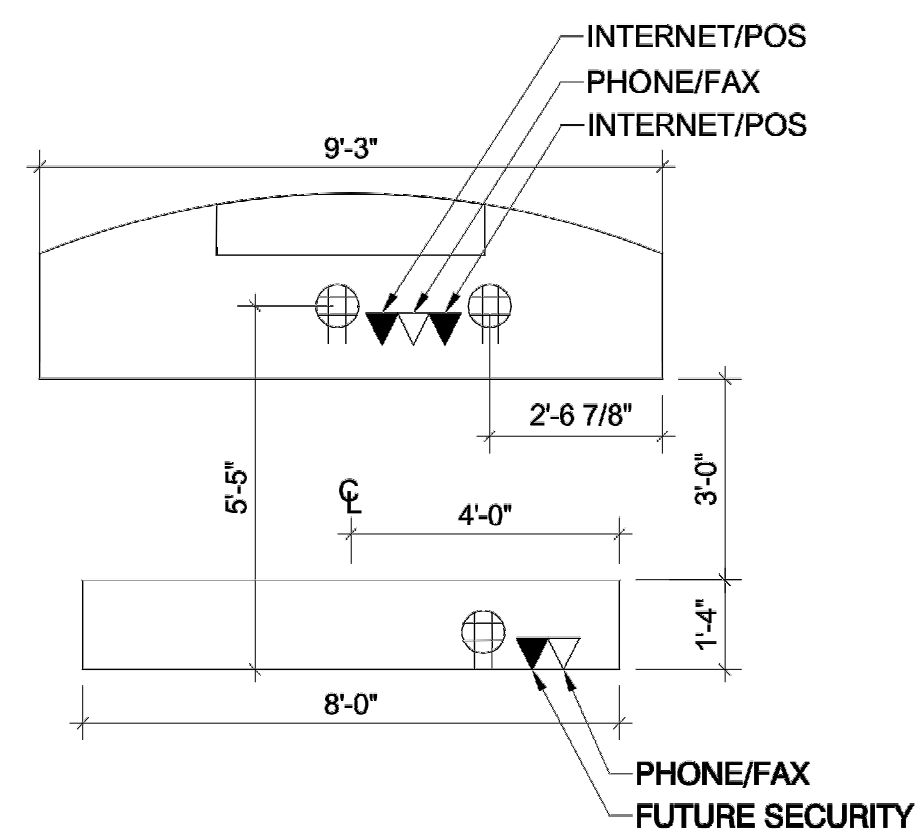
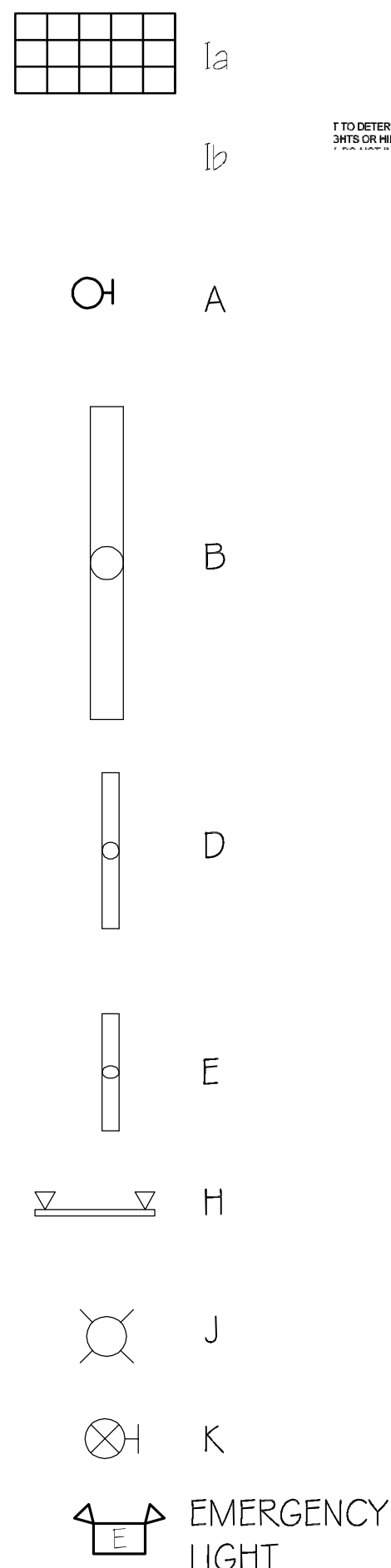
- ALL LIGHTING FIXTURES TO BE PROVIDED AND INSTALLED BY GC. NOTE SCHEDULE OF FIXTURES TO BE INSTALLED AFTER CASEWORK INSTALLATION. ALL FIXTURES TO BE RE-USED TO BE RE-LAMPED, CLEANED AND TO LIKE-NEW CONDITION.
- ALL MILLWORK AND FIXTURES AS NOTED BY KEYNOTE #2 PROVIDED BY SYMPATECO, INC. 1-800-652-1923 EXT. 1201
- SEE OWNER FOR EXTERIOR SIGNAGE SPECIFICATIONS. J-BOX ON FRONT AND REAR FASCIA FOR SIGNAGE SHOWN AS EXISTING, GC TO VERIFY, CHECK WITH OWNER AND LANDLORD FOR HOOK-UP LOCATIONS.
- GC TO VERIFY ALL EXISTING CONDITIONS AND REVIEW SPACE BEFORE BID ACCEPTANCE. REPORT ANY DISCREPANCIES TO JENNA WILEY OR VIA EMAIL: JENNAW@SYMPATECO.COM.

APPENDUMS WILL BE ISSUED BEFORE FINAL BIDS ARE ACCEPTED AND AWARDED.
 **NOTE: CONTACT BRIAN WEHRS AT 402-201-9108 WITH ANY QUESTIONS REGARDING PLANS FOR BIDDING.

Data and Electrical Notes:

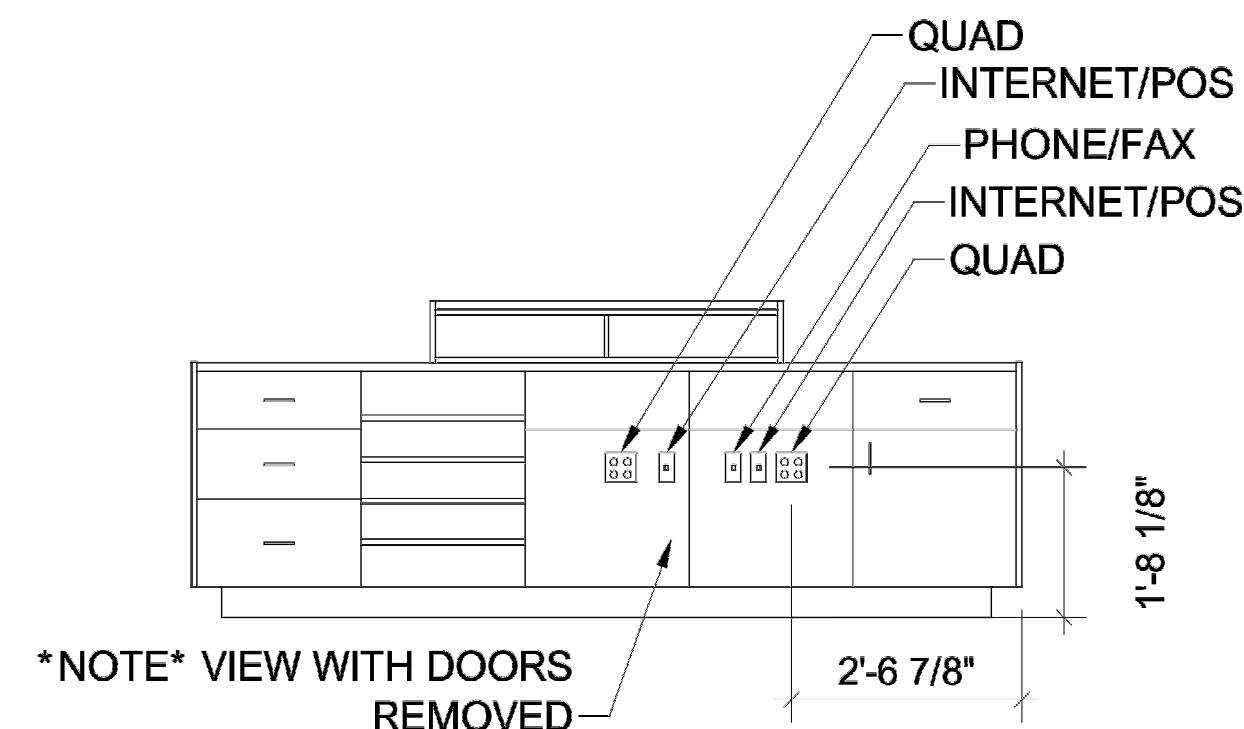
COMPLETE NUTRITION SIGNAGE:
 THE ELECTRICAL CONTRACTOR IS RESPONSIBLE FOR THE FINAL CONNECTION OF THE OWNER SUPPLIED SIGNAGE FROM OMAHA NEON. THE SIGN COMPANY WILL ONLY BE AUTHORIZED TO PROVIDE AN ELECTRICAL FLEX LINE FROM THE EXTERIOR SIGN INTO THE SPACE. SINCE THERE ARE NO PHOTO CELLS ON THE SIGNAGE THAT OMAHA NEON IS PROVIDING, THE ELECTRICAL CONTRACTOR ALSO NEEDS TO BE RESPONSIBLE FOR PROVIDING A TIME CLOCK AND SETTING THE TIME CLOCK WITH THE TIMES DICTATED BY THE OWNER OR LANDLORD. THE TIME CLOCK SHOULD BE LOCATED NEAR THE ELECTRICAL PANEL.

Light Fixture Legend



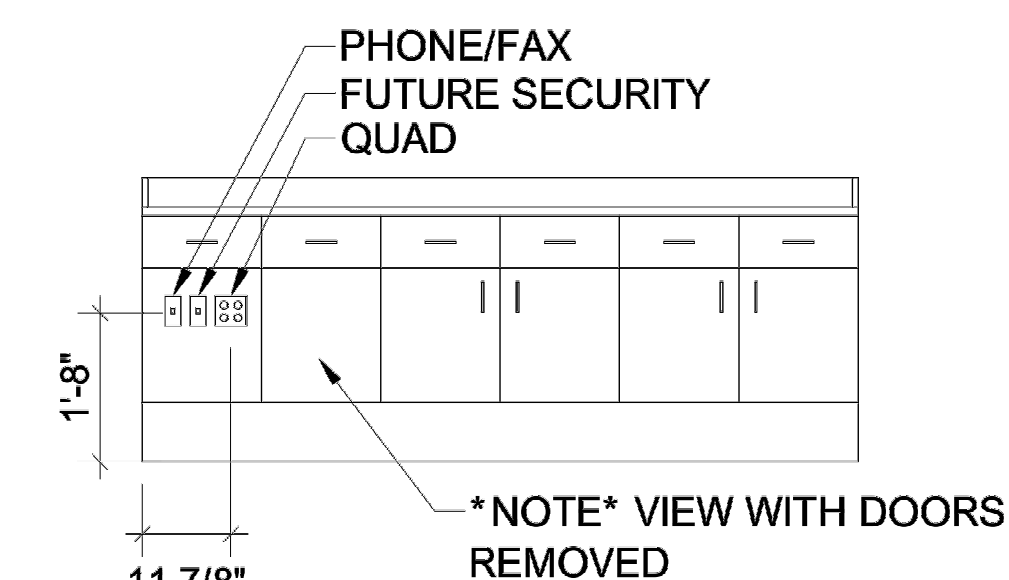
CASH WRAP WIRING NOTES:

- GO TO PROVIDE TWO CONDUITS UNDER THE SLAB LINKING THE FRONT CASH WRAP TO THE REAR CASH WRAP. ONE CONDUIT FOR PHONE/FAX AND ONE FOR CAT-5 NETWORK CABLE.
- BASE OF CABINETS IN CASH WRAP HAVE ACCESS DOOR FOR WIRING.
- ALL J-BOXES MOUNTED INSIDE CASH WRAP ON THE BACK WALL.



NOTE VIEW WITH DOORS REMOVED

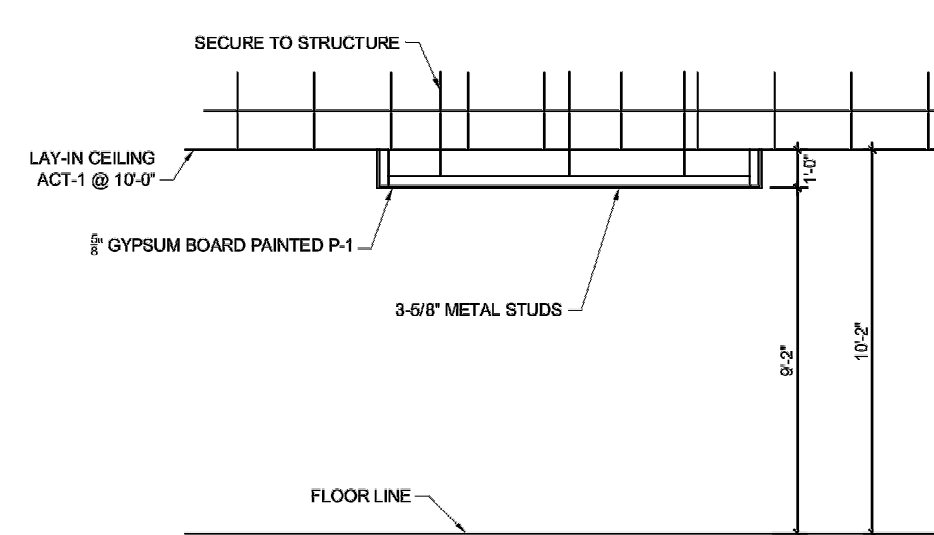
1 A17 FRONT CASH WRAP SCALE: 1" = 1'-0"



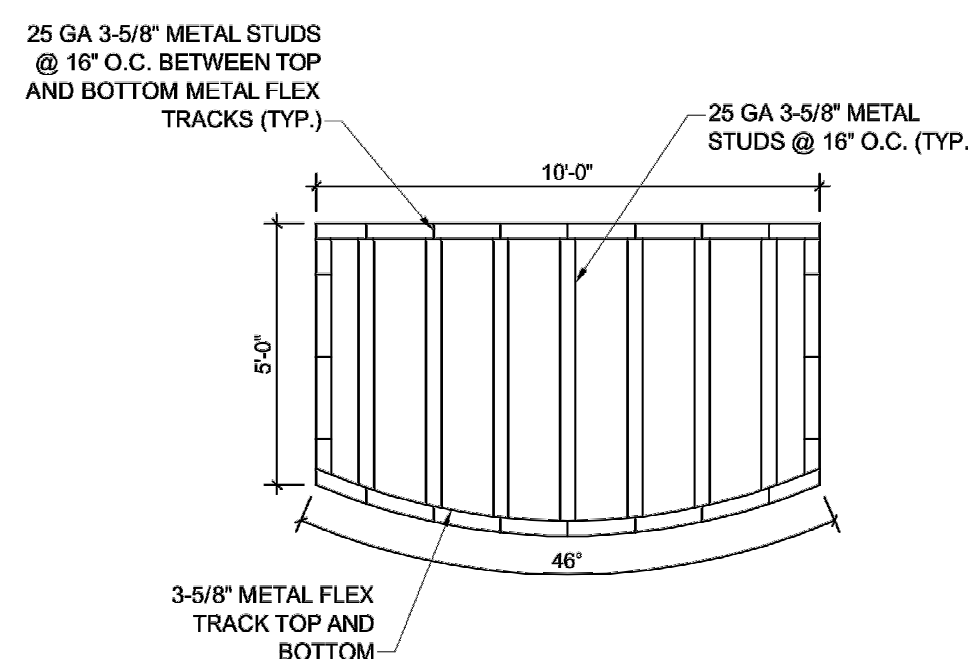
NOTE VIEW WITH DOORS REMOVED

2 A17 REAR CASH WRAP SCALE: 1" = 1'-0"

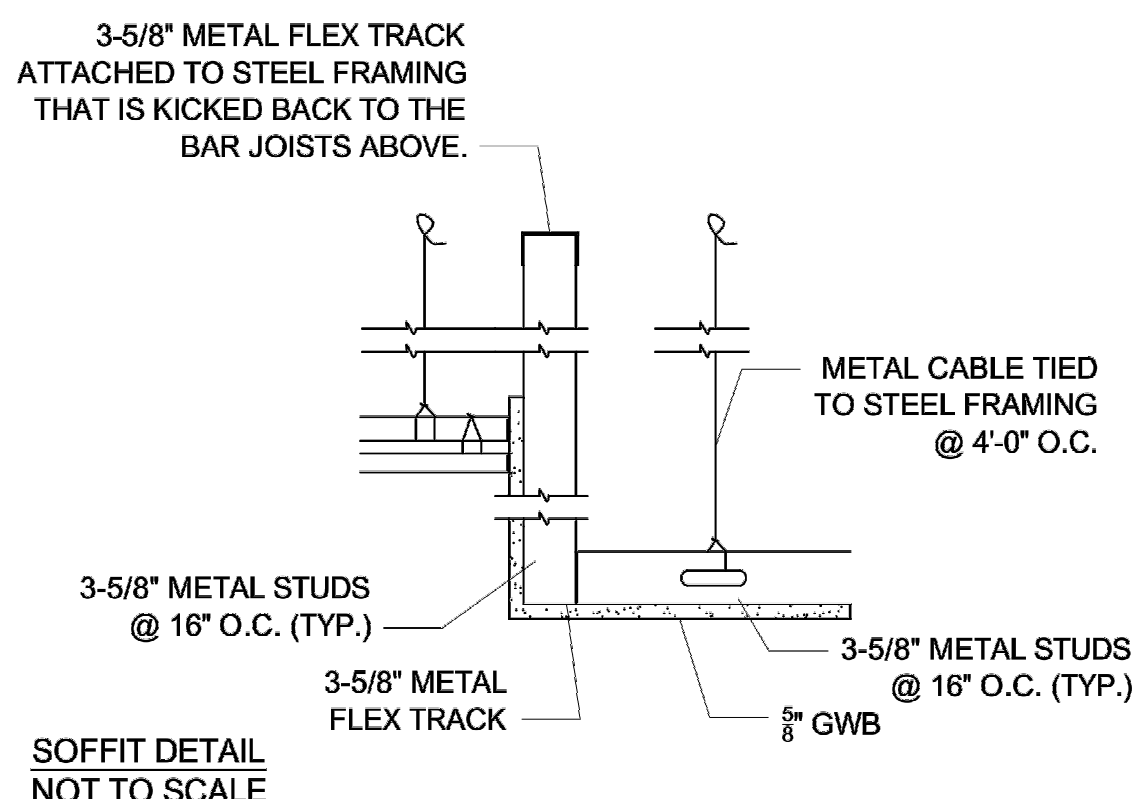
TO DETERMINE A FAIR AND EQUITABLE SOLUTION AFTER OR HIDDEN DAMAGE, PLEASE PHONE OUT



SOFFIT DETAIL NOT TO SCALE



SOFFIT DETAIL NOT TO SCALE



SOFFIT DETAIL NOT TO SCALE

Architect:

Thomas McInerney ARCHITECT
 1208 Marcy Street
 Iowa City, Iowa 52240-3331
 www.thomasarchitect.com
 319-331-0365
 thomas@thomasarchitect.com

ITEMS SHOWN ARE DIAGRAMMATIC AND ARE SHOWN FOR THE LIMITED PURPOSE OF INDICATING PROPOSED LOCATIONS OF THE DESIGN. CONTRACTORS SHALL PROVIDE WORK IN ACCORDANCE WITH ALL APPLICABLE CODES AND REGULATIONS REQUIRED BY THE AUTHORITY HAVING JURISDICTION. CONTRACTOR SHALL COORDINATE THE INSTALLATION OF NEW SYSTEMS WITH EXISTING SYSTEMS.

Thomas McInerney Architect reserves the right to determine a fair and equitable solution to any problems, mistakes, oversights or hidden damage. Please do not hesitate to phone our office at 319-331-0365, especially immediately upon discovery a conflict with the Scope of Work.

Please do not instinctively produce a solution or proceed with work that would result in a change order requiring reimbursement by the owner.

Any solutions outside this policy shall be with prior approval and will be at the franchisee's or contractor's expense.

Project:

Complete Nutrition
 640 S. 50th St. #2170
 West Des Moines, Iowa 50265

Contact:

Brian Wehrs
 Access Comercial
 402-201-9108

Project number: 11.27

Note: © COPYRIGHT UNAUTHORIZED COPYING, DISCLOSURE OR CONSTRUCTION WITHOUT WRITTEN PERMISSION BY THOMAS MCINERNEY, ARCHITECT, IS PROHIBITED.

Issue date:

Date Description

2011.12.14 review

Sheet Title:

REFLECTED CEILING PLAN

Sheet Number:

A-401