

DHI-VTO2202F-P

IP Villa Door Station



- 2MP CMOS camera
- Mechanical button
- Night vision & voice indicator
- PoE
- 160° angle of view
- Compatible with VTH5222CH-S1 and VTNS1006A-2
- Group call
- Power supply by 2-wire
- Aluminium alloy plate
- IP55&IK07
- Surface mounted and flush mounted

Technical Specification

System Parameter

Host Processor	Embedded processor
Camera	CMOS Low Illumination 2MP HD Colorful 160° Fisheye Camera
Angle of view	H:160°
Focal length	1.95 mm
WDR	Support
Noise reduction	Noise suppression and echo cancellation
Video encoding	H.264
Frame rate	PAL:25 fps NTSC:30 fps
Audio encoding	G.711 U
Video bit rate	256K to 2M
Light compensation	IR Supplement

Port

RS-485 Port	1
Alarm Output	1
Lock Control	1 set
Door Status Detection	1 set
Eoc	1 set
Exit Button	1
Tamper Switch	1 set
Network Interface	1
Power Output	12V/100mA

Alarm Parameter

Tamper Alarm	Support
Door Sensor Timeout Alarm	Support
Alarm Input	Support
Alarm Output	Support

User Parameter

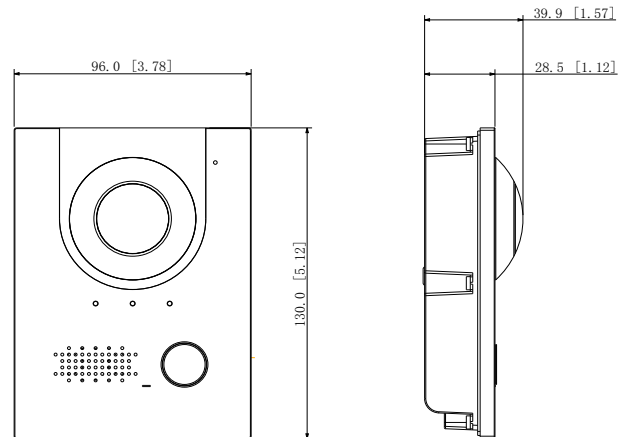
Audio Input	Built-in Omnidirectional Microphone
Audio Output	Built-in Loudspeaker
Status Indicator	calling&communication&unlocked
Communication Methods	Digital communication
Unlock Mode	Remote unlocking
Auto Snapshot	Support
Leave Videos or Text Messages	Support
Storage	Extended 64 G TF Card
WEB Configuration	Support
Real-Time Monitor	Support

Normal Parameter

Network Update	Online update
Housing material	Aluminum
Power supply mode	2-Wire Interface or PoE
Rated Power	12V DC
Rated Current	1A
Installation method	Supports surface mounted and flush mounted

Dimensions	130 mm×96 mm×28.5 mm (5.1"×3.78"×1.1")
Working Temperature	-30°C to +60°C (-22°F to +140°F)
Working Humidity	10%–90%
Atmospheric Pressure	86kPa–106kPa
Power Consumption	≤12W
Total Weight	0.35kg/0.77lb
Environmental Requirement	Outdoor

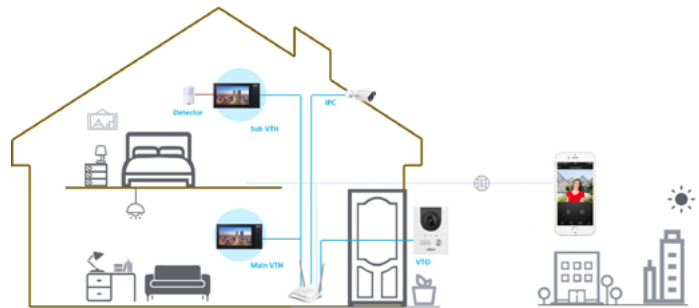
Dimensions (mm[inch])



Ordering Information

Type	Name	Model	Description
IP System	IP indoor monitor	DHI-VTH2421FW	Used in IP system
2-Wire System	2-Wire Controller	DHI-VTNS1006A-2	Used in 2-wire system
	2-Wire Indoor Monitor	DHI-VTH5222CH-S1	Used in 2-wire system
Accessory	BOX	VTM115	Surface mounted Box
		VTM114	Flush mounted Box (Front and back)

Application



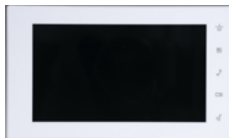
Relevant Products



DHI-VTH2421FW



DHI-VTNS1006A-2



DHI-VTH5222CH-S1

Accessories

Optional:



VTM115



VTM114(Front)



VTM114(Back)