

cage assembly instructions

Select Cage
Model: # 3154
Hammeritone Models

exterior: 35 $\frac{3}{8}$ "L x 23 $\frac{1}{2}$ "W x 67"H (floor to playtop perch)
w/seed guards: 43 $\frac{3}{4}$ "L x 32"W
interior: 34 $\frac{1}{2}$ "L x 22 $\frac{3}{4}$ "W x 36 $\frac{1}{2}$ "H
wire: [gauge] 9 & 9 [spacing] $\frac{3}{4}$ "

getting started!

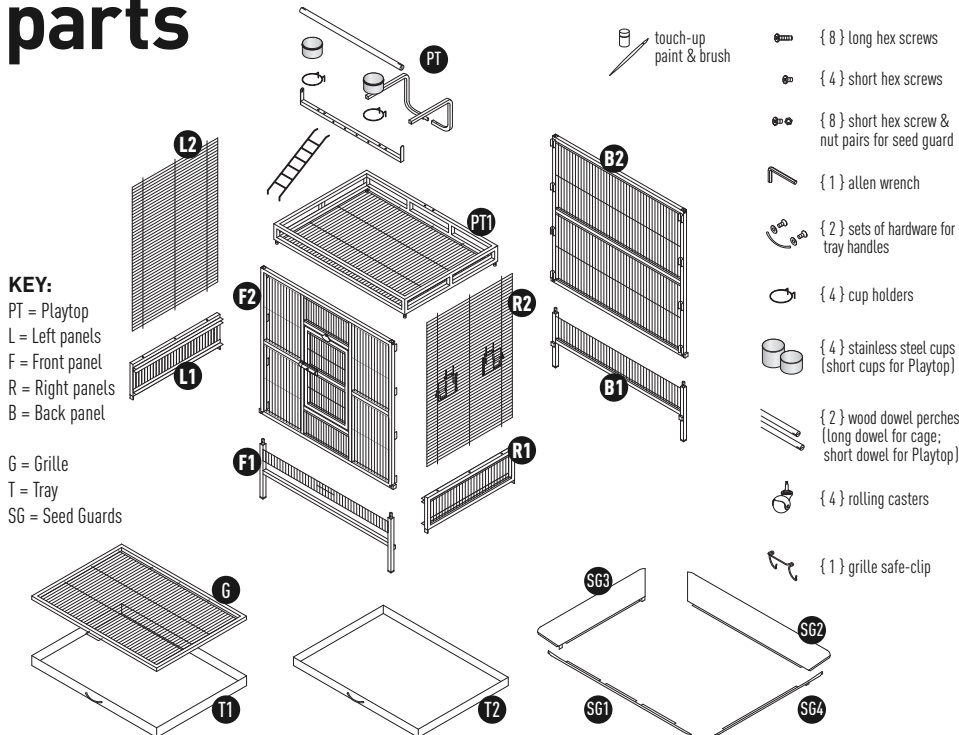
READ THESE NOTES FIRST:

- **Enlist A Friend:** While this large cage may be assembled by one person, the assembly would be made easier with two people.
- **Count Hardware:** Extra screws may be included. If the screw count is *short*, please contact Prevue Customer Service.
- **Review All Parts:** If wires are bent during shipping, they may be straightened with needle nose pliers. For seriously damaged pieces, please contact Prevue Customer Service.

- **Tools:** An allen wrench is included. You will need a small-head slot or phillips screwdriver. You may need needle nose pliers to remove slugs or straighten wires. You may use your own hand tools, but **we do NOT recommend power tools!** Parts can be over-tightened and damaged. Prevue is not responsible for this type of damage.

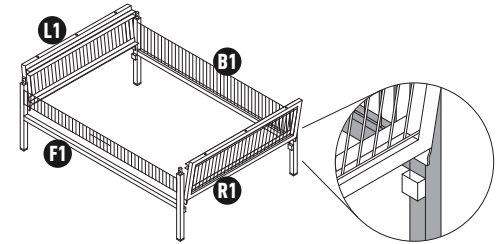
Review these instructions thoroughly before attempting to assemble the cage. If you require assistance, please contact Prevue Customer Service at 800.243.3624 or through links online at prevuepet.com

parts



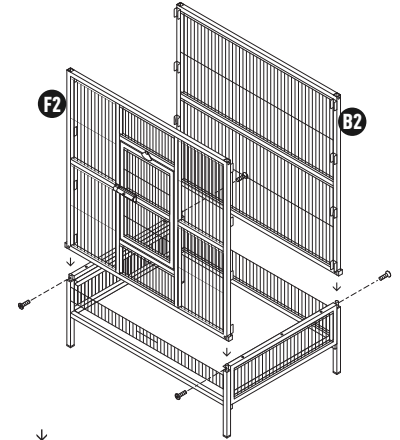
steps

1^a **Assemble the base:** Insert the tabs on **side lower (L1 & R1)** panels into the sleeves on the legs of **front lower (F1) & back lower (B1)** frame panels (see detail). The tray/grille channels on the side panels should face the inside of the cage.



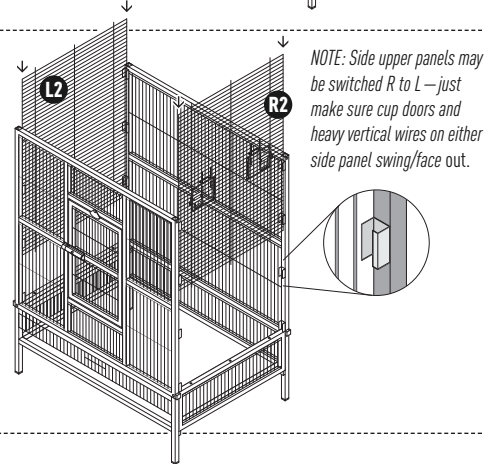
1^b Insert the **front upper (F2)** panel over the corner posts of the front lower frame.

Secure the front panel with a long hex screw in each lower corner. The hex screw will pass through the hole in the **front upper panel** frame leg, through the hole in the **front lower panel** corner post, and to the threaded receiving hole in the opening of the **side lower panel**.



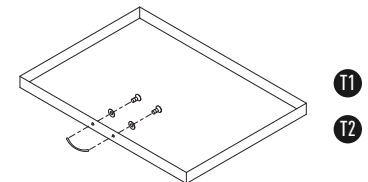
Follow the same procedure for the back. Insert the **back upper (B2)** panel over the corner posts of the back lower frame, align the side frames and secure the corners with the long hex screws.

2 **Assemble the sides:** Slide the **right side upper (R2)** panel down through the channel guides along the inner front & back panel frame legs. The third channel guide down is hooked for an extra level of stability (see detail).



Three heavy vertical wires on the side panel extend below lowest horizontal wire. Align the extended wires with the corresponding holes along top surface of the side lower panel. Repeat for the **left side upper (L2)** panel.

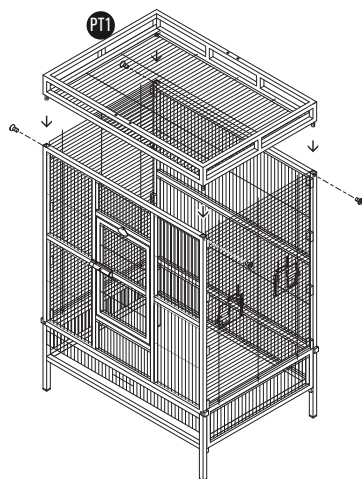
3^a If you have someone helping you, have them assemble the **playtop tray (T2)** and **bottom tray (T1)** handles. Put a washer on the small slothead screw, poke the washer/screw combo through the hole from tray inside, align it with the handle, and tighten snugly.



3^b

With the playtop tray (T2) removed, insert the **playtop rack (PT1)** frame onto the cage, aligning the corner posts of the playtop with the open ends of the front & back panel frames. The extended vertical wires at the top of both side panels will align with corresponding holes on the underside of the playtop rack.

Once all wires have been aligned and playtop has been nestled into place, secure the playtop with short hex screws in each corner.

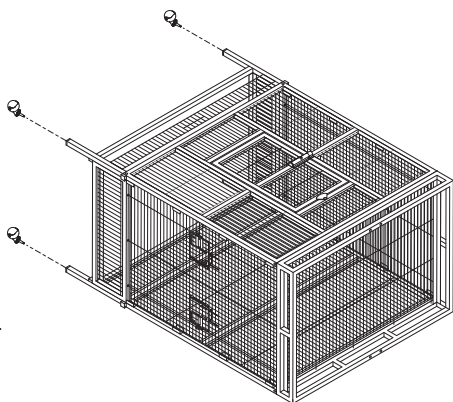


4

If you have help, lower the cage to the floor and insert the **rolling casters**.

→ If you do not have assistance, and are lowering the cage by yourself, be very careful, as it is a heavy cage. Cushion the floor with heavy couch pillows to add an extra level of protection.

After inserting casters, return cage to upright position.



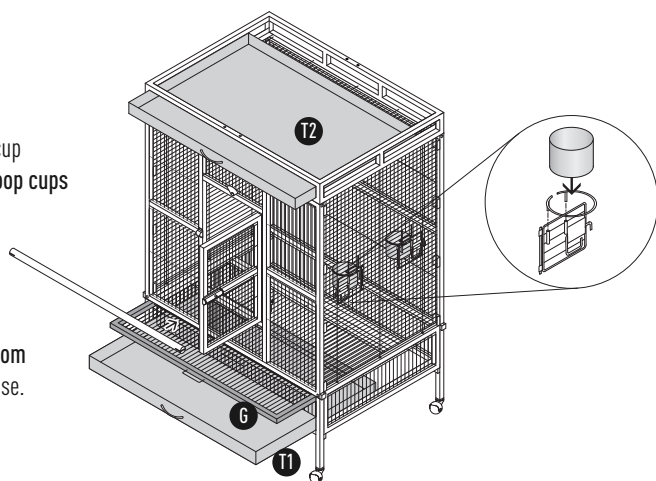
5^a

Insert the **playtop tray (T2)** into place at the top.

Insert **cup holders** into the cup doors, and insert the deep **coop cups** into the holders (see detail).

Insert the long **perch** into the inside of the cage.

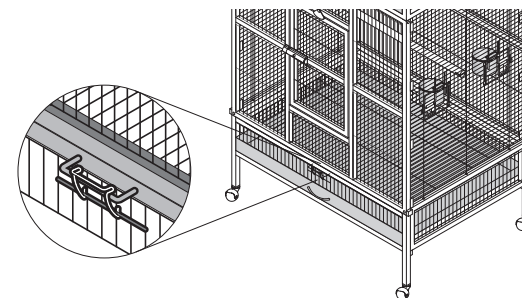
Insert the **grille (G)** and **bottom tray (T1)** into place at the base.



5^b

To keep the grille securely in place, a **safe-clip** is included. Locate the short horizontal bar on the front panel under the grille, and centered directly under the grille handle.

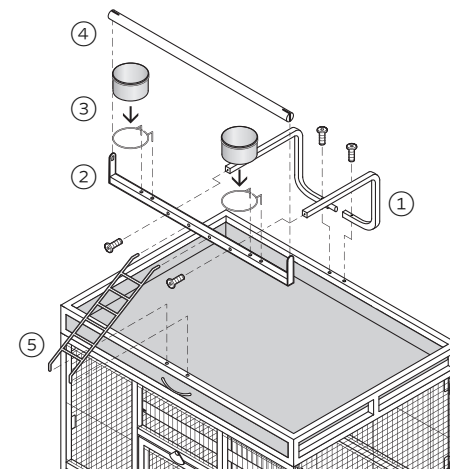
Hook the open-ends of the safe-clip onto the short horizontal bar. Hook the upper part of the safe-clip over the handle on the grille (see detail).



6

Assemble the Playtop unit:

- ① U-bar ships as two pieces. Pre-assemble U-bar before attaching to back edge of playtop frame with two long hex screws.
- ② Attach **cup/perch bar** to U-bar with two long hex screws.
- ③ Insert **cup holders** and **short coop cups** into holders on cup/perch bar.
- ④ Slide shortest **perch** onto cup/perch bar.
- ⑤ Install **ladder**. Fit the ladder's top posts into holes on face of cup/perch bar; the bottom posts into holes on front top edge of playtop frame.



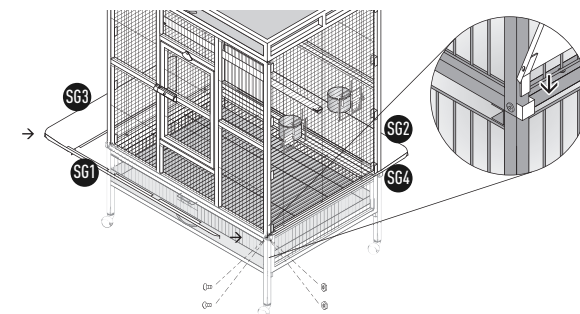
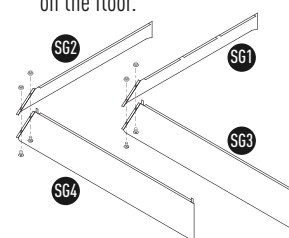
7

Assemble the seed guards: Left & right side seed guards (SG3 & SG4) are interchangeable & have tabs at the corners which fit into sleeves on the frame legs of the front/back (F1 & B1) panels.

To make assembly easier, pre-assemble (upside-down) the SG4/SG2 pair and the SG1/SG3 pair on the floor.

Slip the side/back (SG4/SG2) seed guard pair into place (see detail). Slip the front/side (SG1/SG3) pair into place.

Align the holes at the front (SG1 + SG4) corner and secure guards together with screw & nut pairs. Finish with the back (SG3 + SG2) corner.



★ Your cage is now fully assembled!