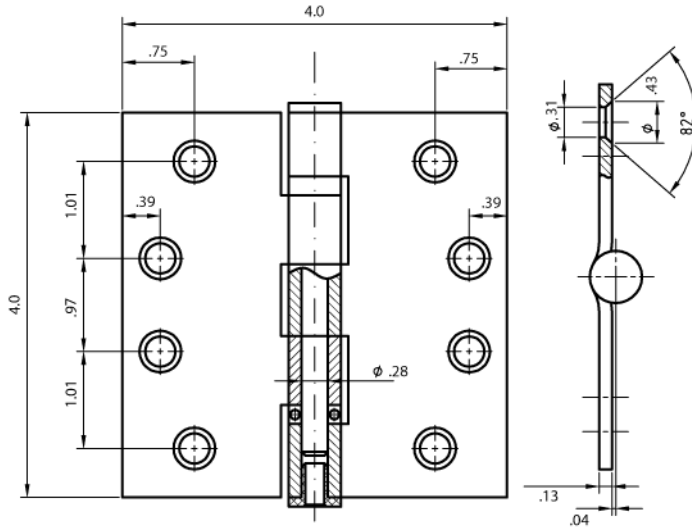


BALL BEARING 4" X 4" COMMERCIAL HINGE

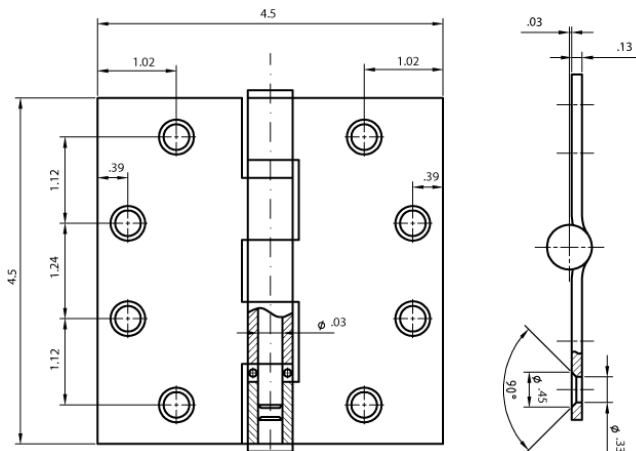


SPECIFICATIONS

- #10 X 1/2" Machine screws (12-24NC) standard
- #10 x 1 1/4" Wood screws standard
- Gauge 0.13" Steel
- Box packed 1.5 pair (3 pcs) per box.
15 Pair / CTN, 20 Lbs
- Priced per pair (2 Hinges)
- Base Metal is Steel or Stainless Steel

Description	Radius	US26D Dull Chrome		US10B Oil Rubbed Bronze	
		Item No.	CH4016	Item No.	CH4012
4" x 4" Ball Bearing Hinge	Sq.	List Price		List Price	
4" x 4" Ball Bearing Hinge NRP (Non-Removable Pin)	Sq.	Item No.	CN4016	Item No.	CN4012
		List Price		List Price	

BALL BEARING 4 1/2" X 4 1/2" COMMERCIAL HINGE



SPECIFICATIONS

- #12 X 1/2" Machine screws (12-24NC) standard
- #12 x 1 1/4" Wood screws standard
- Gauge 0.134" Steel
- Box packed 1.5 pair (3 pcs) per box
15 Pair / CTN, 34 Lbs
- Priced per pair (2 Hinges)
- Base Metal is Steel or Stainless Steel

Description	Radius	US26D Dull Chrome		US10B Oil Rubbed Bronze		US32D Stainless Steel Coming Soon	
		Item No.	CH4516	Item No.	CH4512	Item No.	CH4510
4 1/2" x 4 1/2" Ball Bearing Hinge	Sq.	List Price		List Price		List Price	
4 1/2" x 4 1/2" Ball Bearing Hinge NRP (Non-Removable Pin)	Sq.	Item No.	CN4516	Item No.	CN4512	Item No.	CN4510
		List Price		List Price		List Price	

