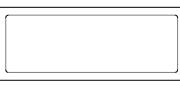

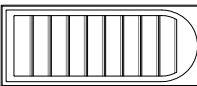

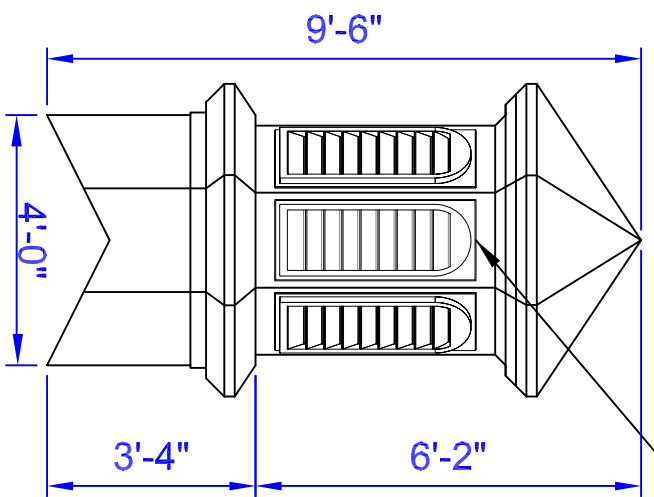


Cupola Data
 Overall Height = 9'-6"
 Base Width = 4'
 Unit Weight = 275 lbs.

Available Standard Panels

	601
	104
	108
	501

Base Panels – See Available Options Above



Elevation View

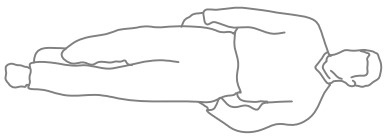
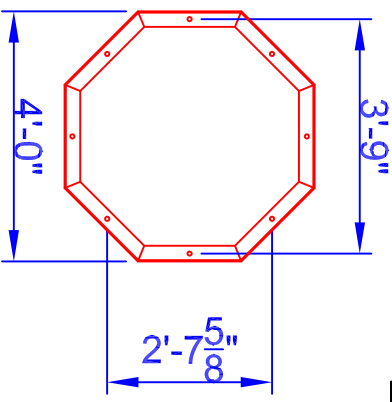
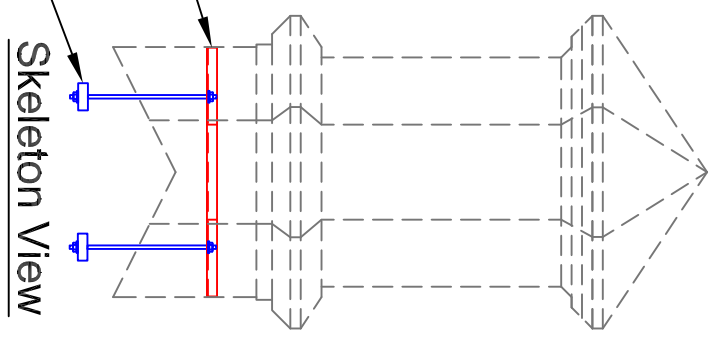


figure shown for scale reference



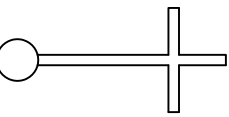

Mounting Detail

Base Anchor Plate
 2" x 3" x 3/16" Steel Angle
 Sealed in FRP
 Anchor Rods
 Supplied by Others



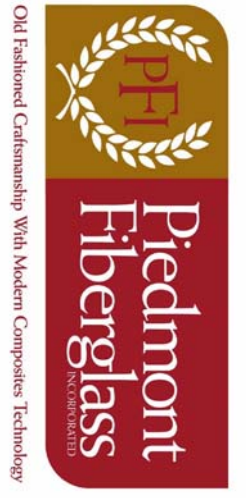
Skeleton View

Optional Cupola Finials

	36" Cross 8"Ø Sphere		36" Aluminum Spire 8"Ø Sphere
---	----------------------	---	-------------------------------

Weatheravane selection at:
www.whitehallproducts.com

Note: All drawings are the property of Piedmont Fiberglass. Dimensions & designs may be altered to accommodate manufacturing.



Piedmont Fiberglass Inc.
 PO Box 1089
 Taylorsville, NC 28681
 Phone: 828-632-8883
 Fax: 828-632-5585
www.piedmontfiberglass.com

Cupola
 Model: **900-LPK**

Scale: **scale**
 Drawn By: **TJD/JEM**
 Created On: **2/10/07**
 Updated On: **11/23/10**