

**A** RED

**C** BLACK

**E** WHITE

**G** ORANGE

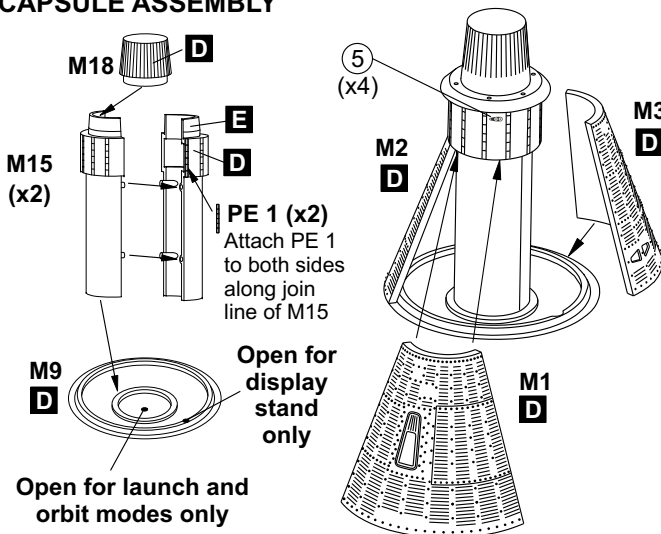
**B** ALUMINIUM

**D** METALLIC BLACK/BLUE

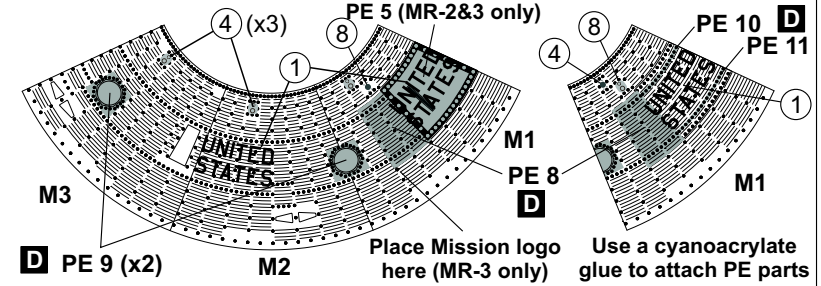
**F** TITANIUM

**#** Apply Decal

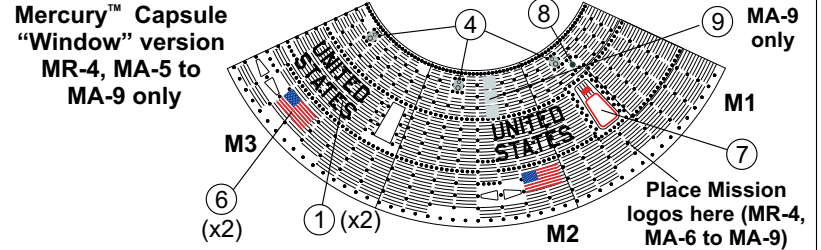
## CAPSULE ASSEMBLY



## Mercury™ Capsule "Porthole" version MR-1 to MR-3, MA-1 to MA-4 only

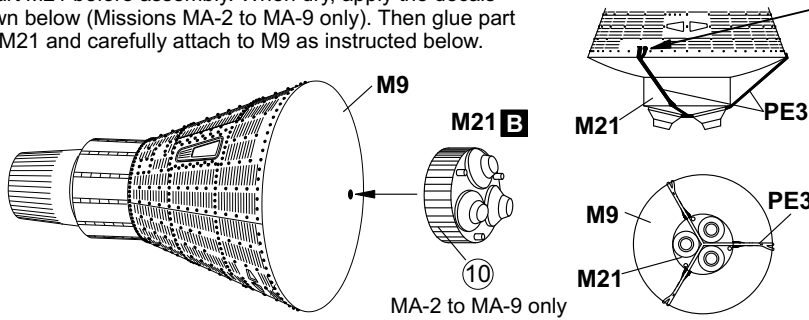


## Mercury™ Capsule "Window" version MR-4, MA-5 to MA-9 only



## RETRO-PACK ASSEMBLY (Launch and Orbit modes only)

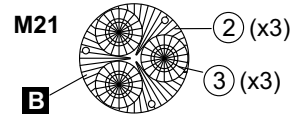
Paint part M21 before assembly. When dry, apply the decals as shown below (Missions MA-2 to MA-9 only). Then glue part PE3 to M21 and carefully attach to M9 as instructed below.



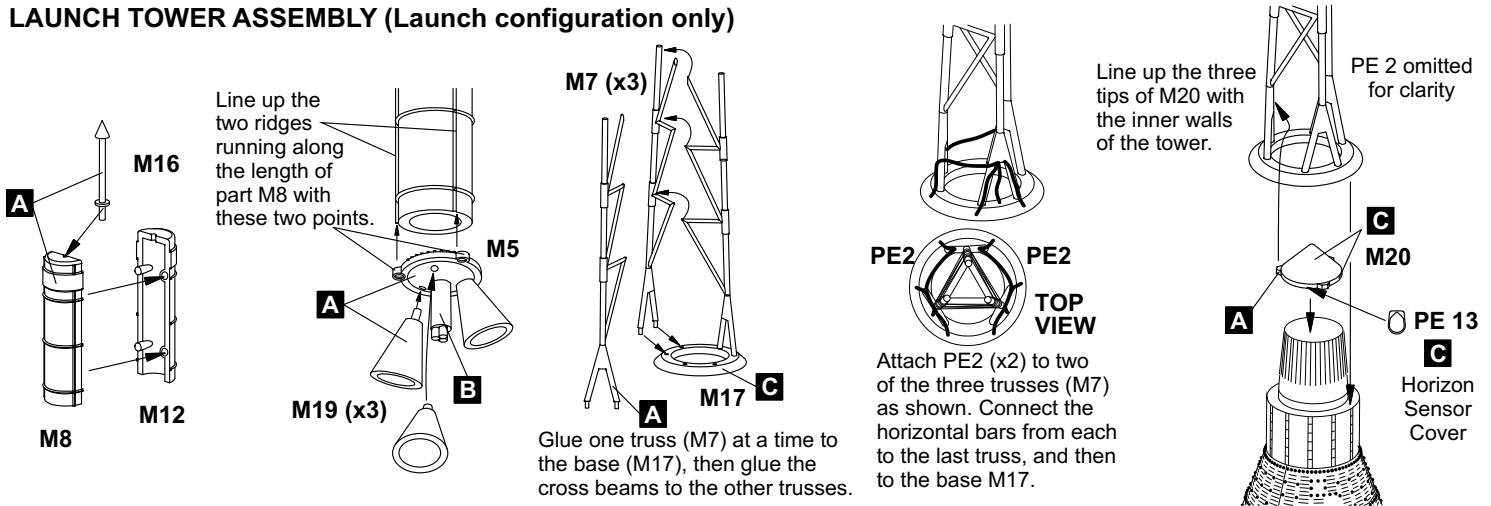
Attach PE3 to M21, and then attach both to the bottom of the capsule, rotating the assembly until the PE parts line up with the capsule's areas as shown. Carefully bend the tips of PE3 to lie flush with the capsule.

### For Missions MA-2 to MA-9 only:

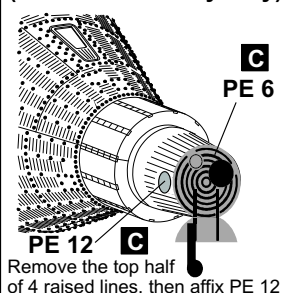
Apply decal 10 around the cylindrical section, in line with decal #3 (x3). Then apply decal #2 (x3)



## LAUNCH TOWER ASSEMBLY (Launch configuration only)

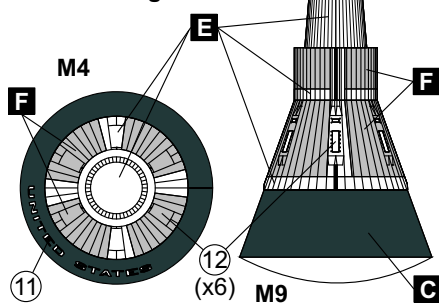


## DESTABILIZING FLAP and HORIZON SENSOR (Orbit and re-entry only)

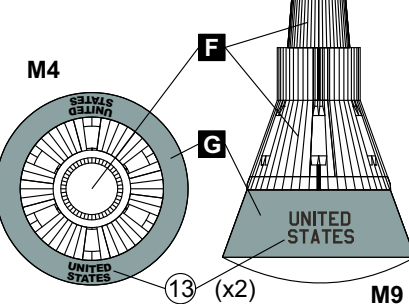


## Mercury™ Capsule Boilerplate

### Mission: "Big Joe"



### Mission: MR-BD



## DISPLAY STAND

