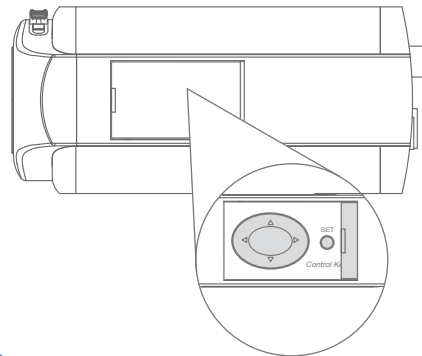
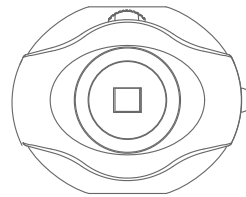


CQ3TP6522 ~ CQ3TP6523

650 TVL CAMERAS



The CQ series integrates the latest CCD technologies enabling to truly deliver a super high resolution of 650 TVL in colour and 700 TVL in mono. The cameras boast a complete range of features to fully capture all details and meet demanding high risk security applications such as highways, airports, banks, casinos and embassies.

 650 TVL 700 TVL	 12VDC 24VAC	 230VAC	 RS485	 OSD	 MOTION DETECTION	 PRIVACY ZONES
 DSS	 WDR	 IR	 DNR	 x8	 FACE DETECTION	 / 1x Na

FEATURES

- True Day/Night Wide Dynamic Range
- Super high resolution 960H CCD:
650 TVL in colour, 700 TVL in Mono
- 3D DNR: the ultimate in digital noise reduction
- New Extended Auto White Balance for accurate colour resolution under Sodium lighting
- Frame integration for enhanced sensitivity in low-light
- 0.01 Lux @ F=1.2, 50IRE, DSS off
- IR sensitive
- Motion detection, face detection with alarm output
- Privacy masking features
- Full OSD for easy configuration and RS485 remote control
- IR lamp switch input
- Digital zoom x8
- Lens not included

- CQ3TP6522: dual voltage 12VDC/24VAC**
- CQ3TP6523: 230VAC**

GENERAL SPECIFICATIONS	
Video Standard	PAL
Image Sensor	1/3" Sensitive CCD colour image sensor
Number of Pixels	960(H) x 582(V), 550K pixels
Scanning Frequency	2:1 Interlace H: 15625Hz V: 50.0Hz
Horizontal Resolution	Day Mode: 650 TV Lines Night Mode: 700 TV Lines
Minimum Illumination	Day Mode: 0.3 Lux @ F=1.2 50IRE, No DSS Night Mode: 0.01 Lux @ F=1.2 50IRE, No DSS
S/N Ratio	50 dB
WDR Range	68 dB
Video Output	1.0Vpp 75Ω BNC unbalanced
Auto iris control	Video / DC Drive separate output
IRIS connector	Video: 3pin push lock terminal block on rear DC: 4pin connector on rear
Lens mount	CS mount, C mount by adaptor
Back focus adjustment	By screw
Bracket mounting Hole	1/4" Top and Bottom
Power source	Dual Power: 24VAC +/- 20%, 12VDC +/- 20% (CQ3TP6522) Mains Power: 90VAC ~ 230VAC (CQ3TP6523)
Power consumption	5.7W Max
Power Indicator	3mm Green LED on Rear Panel
Operating temperature	-10°C~+50°C
Storage temperature	-20°C~+60°C
Dimensions	73.5mm (W) x 58mm (H) x 126mm (L)

FUNCTIONAL SPECIFICATIONS	
Exposure Control	Auto Electronics Shutter / Manual Electronics Shutter / Video Auto IRIS / DC Auto IRIS
AES	1/60(1/50) ~ 1/100000
MES	8 step: 1/60 (1/50), 1/100 (1/120), 1/250, 1/500, 1/1k, 1/2k, 1/5k, 1/10k
Back light compensation	6 areas selectable and level adjustable
AGC max gain	36 dB
White balance control	AWB / Ex-AWB / Push / Manual
AWB	Standard: 2500K ~ 9500K Extended: 1800K ~ 18000K
MWB range	Preset, R Gain and B Gain adjustable
Digital Noise Reduction	3D DNR Off / Auto / Low / Middle / High
Day & Night	Auto / Day / Night
Day / Night configuration	Individual setup for day mode and night mode
Chroma	Level 0-15 adjustable
Sync System	INT / Line Lock
Line Lock	Phase adjust range: 0~270 Frequency range: 50Hz +/- 1Hz
Privacy zone	Up to 4 areas adjustable
Remote control	RS485, two-way communication
IR lamp trigger	External relay contact input for IR switching
Gamma compensation	0.45 default, 8 step selectable
Digital zoom	8x max
Motion detection	Off / Object / Face in zone / Face, with alarm output

