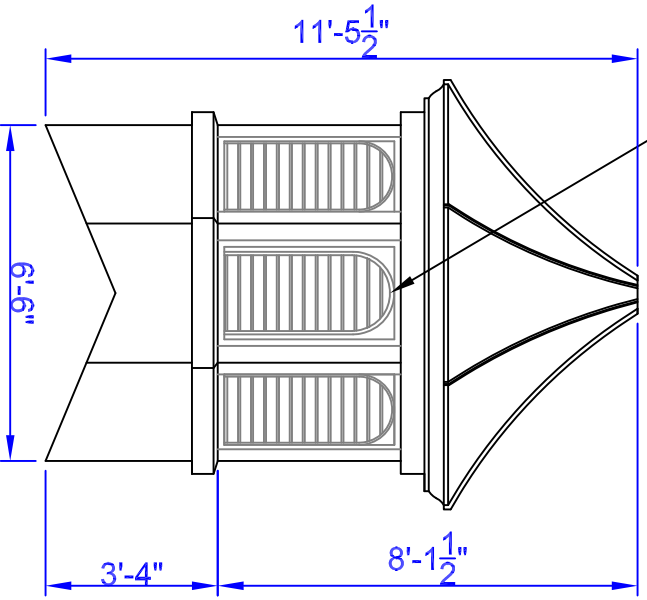
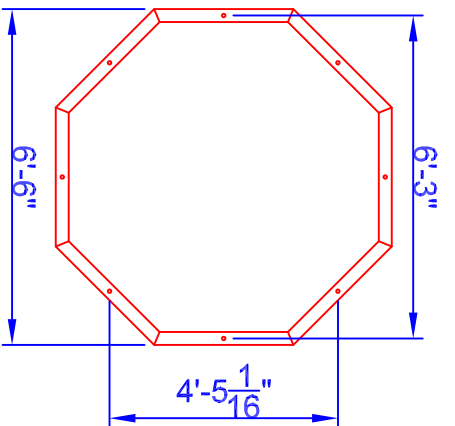


Cupola Data
 Overall Height = 11' 5-1/2"
 Base Width = 6'6"
 Unit Weight = 800 lbs.

Base Panel: 660-L comes standard with 8 louvers shown below.



Elevation View



Mounting Detail

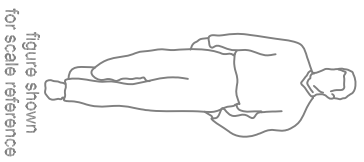


figure shown for scale reference

Optional Cupola Finials

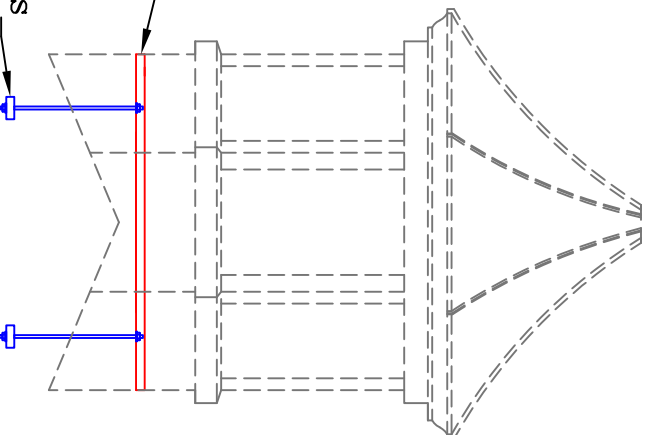
	36" Cross 8"Ø Sphere
	36" Aluminum Spire 8"Ø Sphere

Weather vane selection at :
www.whitehallproducts.com

Base Anchor Plate
 2"x3"x3/16" Steel
 Angle Sealed in FRP

Anchor Rods
 Supplied by Others

Skeleton View



Note: All drawings are the property of Piedmont Fiberglass. Dimensions & designs may be altered to accommodate manufacturing.



Old Fashioned Craftsmanship With Modern Composites' Technology

Piedmont Fiberglass Inc.

PO Box 1089

Taylorsville, NC 28681

Phone: 828-632-8883

Fax: 828-632-5585

www.piedmontfiberglass.com

Cupola

Model:

660-L

Scale: **scale**

Drawn By: **TJD/JEM**

Created On: **9/17/07**

Updated On: **11/9/10**