

Project:	
Date:	
Note:	

SIMPLY RELIABLE

LED LINEAR STRIP LIGHT 4' 30W GL03 SERIES



DESCRIPTION

With its slim design, this new linear strip light seamlessly blends flat high quality housing and precision optics to produce a sleek, subtle aesthetic that meets most office ceiling application needs. It is ideal for office spaces, supermarkets, and meeting rooms.

APPLICATIONS

- Street & Tunnel
- Park
- Gas Station
- Parking
- Industrial Site

SPECIFICATIONS		GL03-30W-4F-40K-PDN	GL03-30W-4F-50K-PDN
Ordering	Brand	Builders Pack	Builders Pack
	SKU	31-55022-40	31-55022-50
Photometric	Color Temp. [CCT]	4000K	5000K
	Lumens [lm]	3846.12 lm	3835.12 lm
	Efficacy [lm/W]	127.06 lm/W	127.2 lm/W
	SDCM	≤6	
	Render Index [Ra]	≥80	
	R9	≥0	
	Duv	≤0.006	
Electrical	Beam Angle	120°	
	Rated Voltage	AC 120-277V	
	Frequency	50/60Hz	
	Lamp Wattage	30W	
	Lamp Current	300mA	
Lifetime [at 120-227V]	Power Factor	≥0.9	
	L70 Lumen Maintenance Life [Hours]	≥50000	
	L90 Lumen Maintenance Life [Hours]	≥36000	
Technical Requirements	Warranty [Years]	5	
	Certifications	UL I FCC I RoHS I CE	
	THD	≤20%	
	Ripple Current	≤5%	
	Frequency of LED Current	≥120Hz	
	Flicker	No Flicker	
	Electrostatic Discharge [ESD]	4KV Contact discharge / 8KV Air discharge	
Surge Protection	2KV		

LIBERTY LED LLC

Project:	
Date:	
Note:	

SIMPLY RELIABLE

	Dimming	1-10V
	Sensor	No
	Emergency Power	Optional
	Ingress Protection [IP]	IP20
	Noise	N/A
Operation and information	Start Time	≤1S
	Operating Temp.	-4°F~+113°F
	Storage Temp.	-22°F~+149°F
	Housing/Case [Color, Material]	High quality steel with high reflectance paint
	Optical -Lens [Material]	PC
	Mounting / Installation	Chain Mount
	Environment	Indoor / Suitable for damp location
Size/Weight	Product Size [LWH]	47.8" x 2.56" x 2.67"
	Product Net Weight	4.63 lbs
Distribution Curve		
Shipping	Master Carton Size	49.75" x 10.63" x 7.75"
	Pcs / Carton	6pcs
	Gross Weight	34.39 lbs
	Pcs / Pallet	240pcs
	Pcs / 20' GP	2112pcs (No Pallet) 1920pcs (Palletized)
	Pcs / 40' GP	4752pcs (No Pallet) 4320pcs (Palletized)
	Pcs / 40' HQ	5616pcs (No Pallet) 5184pcs (Palletized)
	Pcs / 45' HQ	/




*Package specifications are subject to change without notice.

Project:	
Date:	
Note:	

LAMP CODE DEFINITIONS

Category	Wattage	Size	CCT	DLC Degree	Dimmable	Sensor
GL03 = Strip Light	30W	4F = 4FT	4000K 5000K	P = Premium	D = 1-10V	N = No Sensor

ACCESSORIES

SKU	Description	Image
31-55028-A	Linkable Butt Connector	
31-55029-A	18" Linkable Cable	
31-55035-A	Suspension Installation (2*Cable + 2*V Hook)	

Project:	
Date:	
Note:	

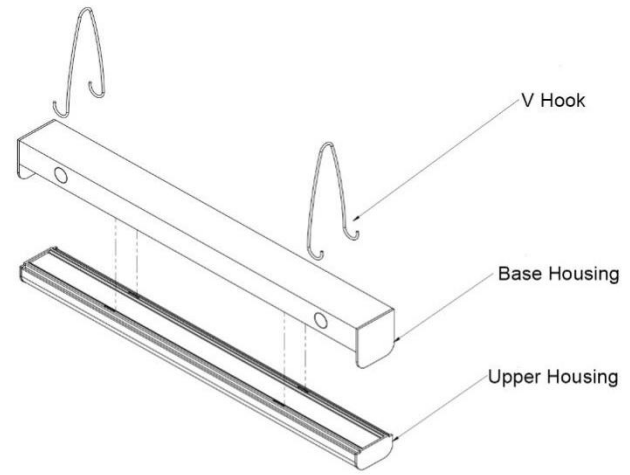
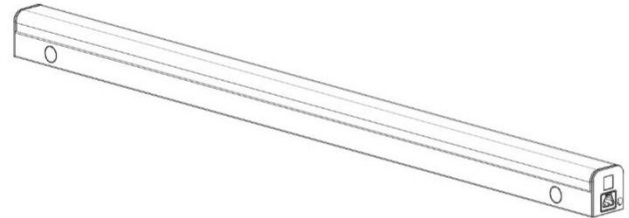
INSTALLATION DIAGRAM

Tools Required:
Screwdriver
Wire Strippers

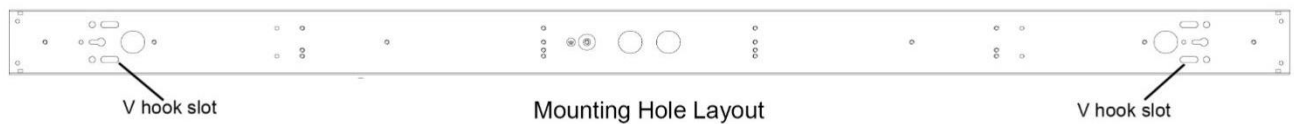
1. Remove optical assembly from back housing by grasping lens approximately 8" from one end of housing and pulling optical assembly away from housing.
2. Disconnect wiring quick-connects between optical assembly and housing.
3. Remove appropriate knockout(s) on fixture housing at desired location of incoming power entry.
4. If incoming power is entering fixture through conduit, attach conduit at knockout removed in Step 3.
5. **Surface Mount:** Attach housing to mounting surface at desired location using appropriate hardware (supplied by others) for the mounting surface. Multiple holes and keyhole slots are present in the back surface of the housing for mounting.

Suspension Mount: Attach mounting cable/ chain (provided by others) to the V hooks. Attach V hooks to the base housing by securing the hooks into the correct slots.

7. Make wiring connections per the wiring diagram below using the included wire nuts.
8. Reconnect wiring quick connects that were disconnected in Step 2 above.
9. Replace optical assembly on housing by positioning assembly on housing and gently pushing optical assembly back into place. Make sure optical assembly is retained along its entire length.



For Suspension Mount



Standard Wiring Diagram

