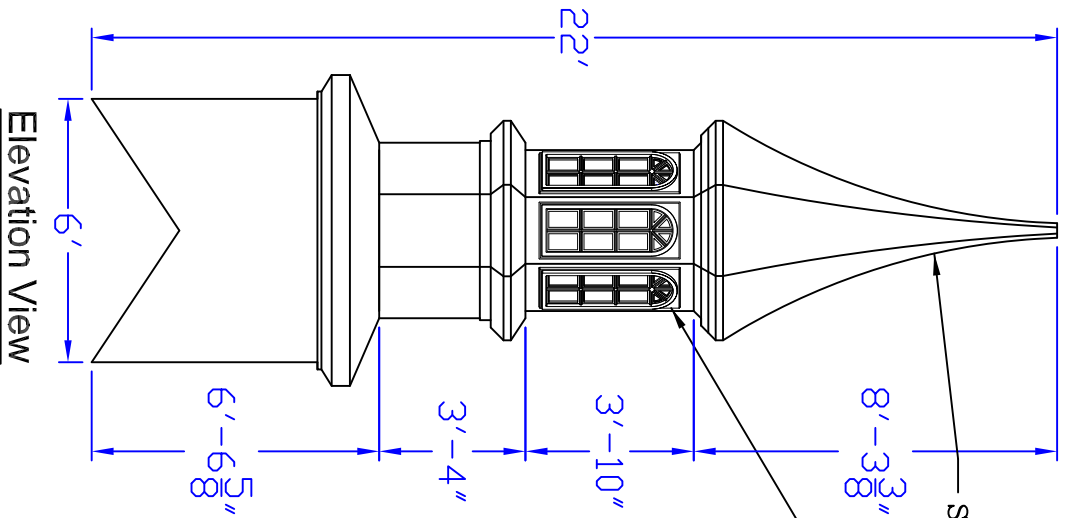
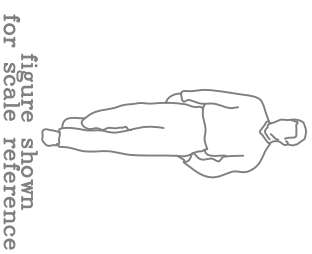


Cupola Data
 Overall Height = 22'
 Base Width = 6'
 Unit Weight = 925 lbs.



Single Piece Fiberglass Shell

Base Panels: 740-W Comes Standard With 8 K-Glass Windows. See Above for Optional Window Designs

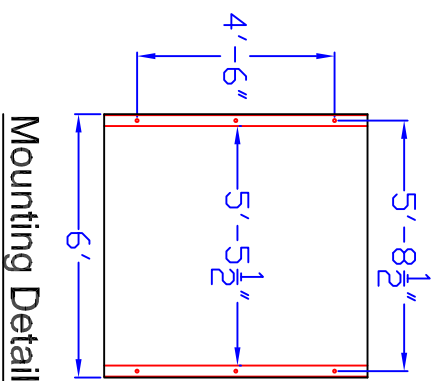


Optional Cupola Finials

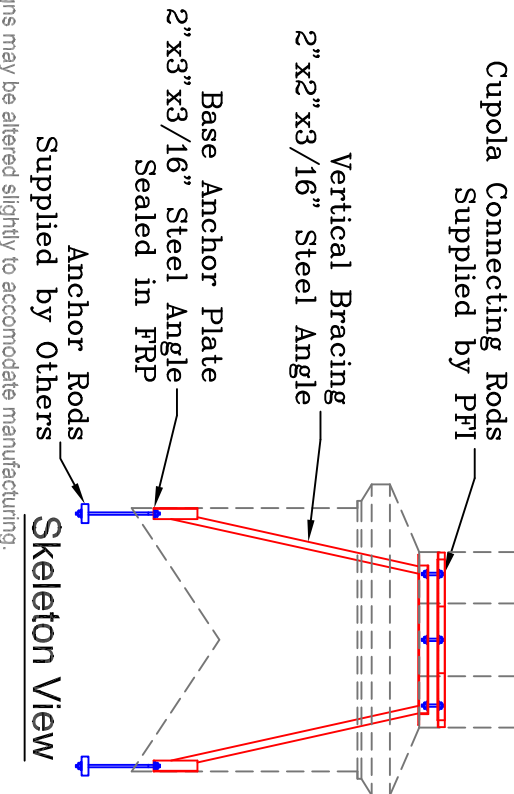
36" Cross 8" Sphere
 36" Aluminum Spire 8" Sphere
 Weatherane selection at:
www.whitehallproducts.com

Optional Window Panels

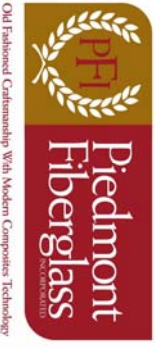
304 Keystone
 311 Squared
 306 Round Top
 Note: Windows also available without panes.



Mounting Detail



Note: All drawings are the property of Piedmont Fiberglass Inc. Dimensions and designs may be altered slightly to accommodate manufacturing.



P.O. Box 1089
 Taylorsville, NC 28681
 Phone: 828-632-8883 Fax: 828-632-5585
www.PiedmontFiberglass.com

CUPOLA
740-W

Model :
 Scale:
 Drawn by: JEM
 Created On 10/20/10
 Updated On 1/15/10