

Project:	
Date:	
Note:	

SIMPLY RELIABLE

LED LINEAR STRIP LIGHT 8' 40W TR11 SERIES



DESCRIPTION

1. High lighting efficiency 130 lm/W, Ra≥80;
2. 1-10V dimmable driver, AC 120-277V;
3. Reduces energy consumption up to 60%;
4. For cover, no glass, no fragileness;
5. Suitable for damp location;
6. 5 years warranty.

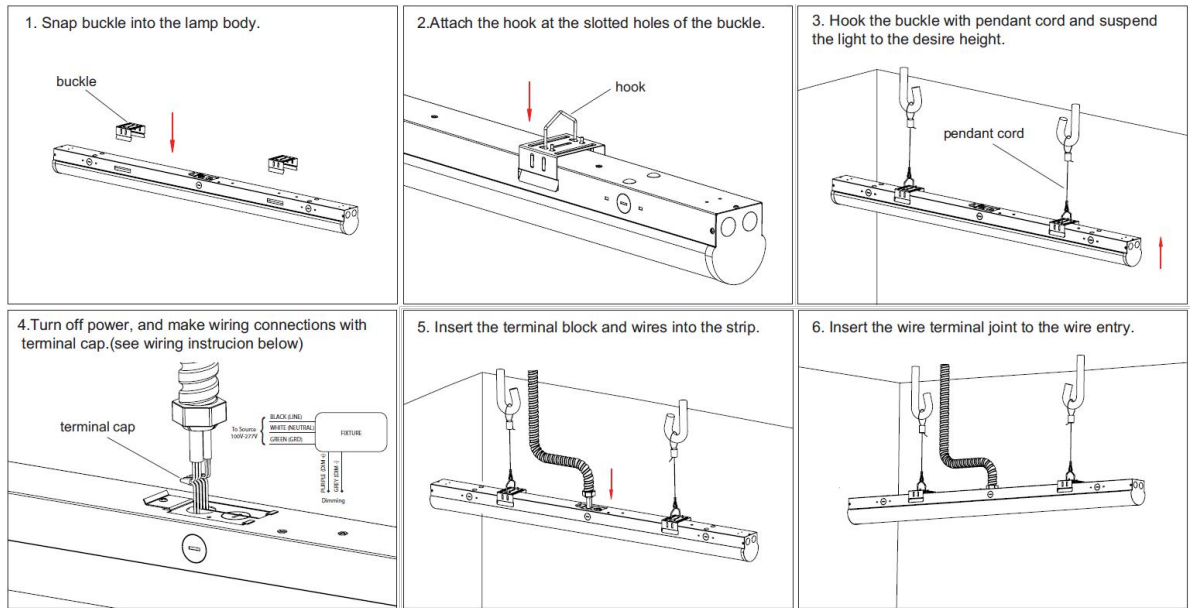
APPLICATIONS

- Commercial: Stores, Offices and Hallways
- Industrial: Lower Ceiling Warehouses, Manufacturing
- Retail: Stores, Storage Areas and Closets
- Residential: Garages

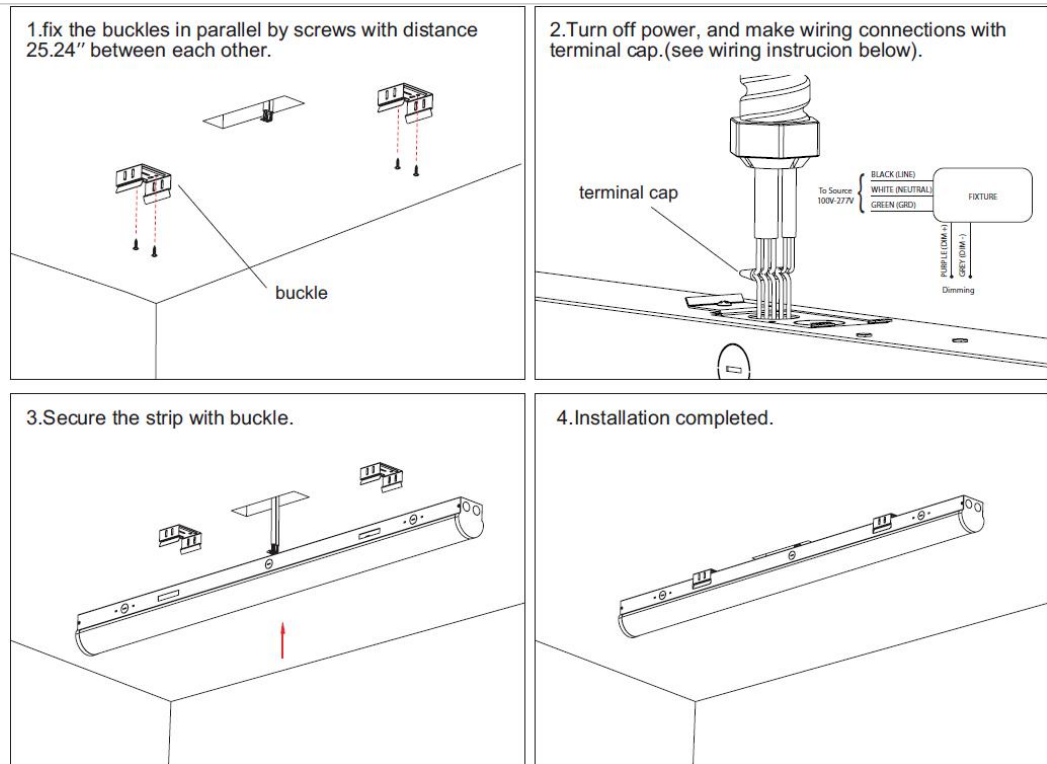
SPECIFICATIONS		TR11-40W-240-40K	TR11-40W-240-50K
ORDERING	Brand	Builders Pack	Builders Pack
	SKU	57-55018-40	57-55018-40
GENERAL PERFORMANCE	Power Consumption	40W	40W
	Color Temp. (CCT)	4000K	5000K
	Lumens Delivered (lm)	5919 lm	5876 lm
	Efficacy (lm/W)	135.04 lm/W	135.58 lm/W
	CRI	≥80	
	L70/L90 Lifetime (Hours)	50,000 / 36,000 hours	
	Equivalency	80-150W MH	
ELECTRICAL	Power Factor	≥0.9	
	Input Voltage	AC 120-277V	
	Dimming	1-10V	
PHYSICAL	Mounting	Pendant Mounted / Surface Mounted	
	Operating Temp.	-4°F ~ + 113°F	
	Storage Temp.	-22°F ~ + 149°F	
	Ingress Protection (IP)	IP20	
QUALIFICATION	Certifications	UL RoHS FCC CE	
	Material Usage	Steel & PC Cover	
	Environment	Indoor	
	Warranty	5 years	
DIMENSIONS	Product Size	96" x 3.11" x 3.26"	
	Gross Weight	6.92 lbs	

Project:	
Date:	
Note:	

CHAIN INSTALLATION



SURFACE MOUNTED INSTALLATION



**INSTALLATION
DIAGRAM**

terminal cap

To Source 100W-277V

BLACK (LINE)
WHITE (NEUTRAL)
GREEN (GND)

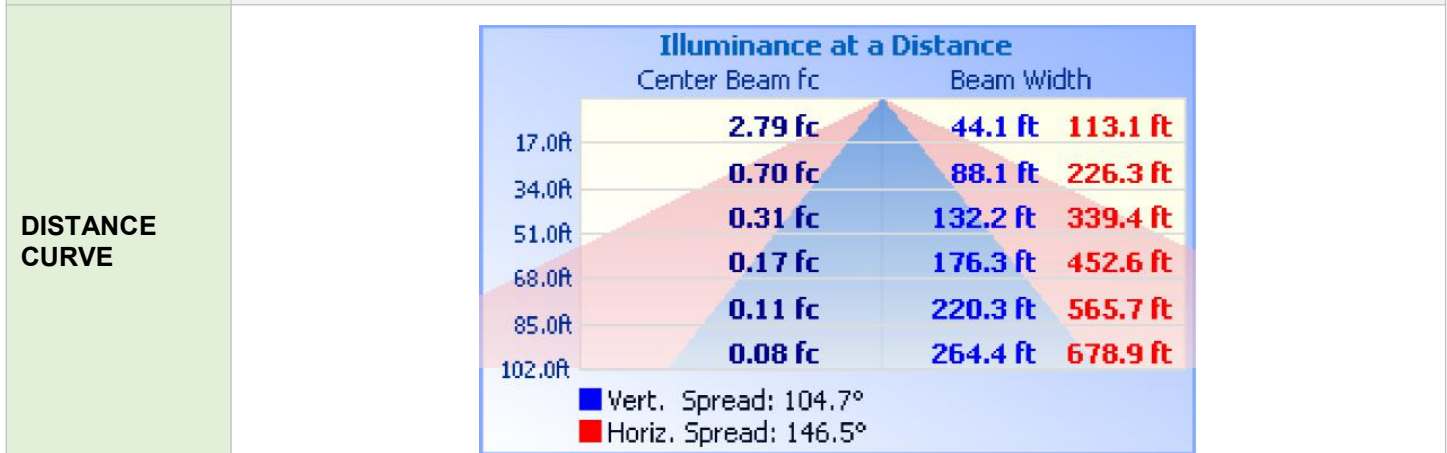
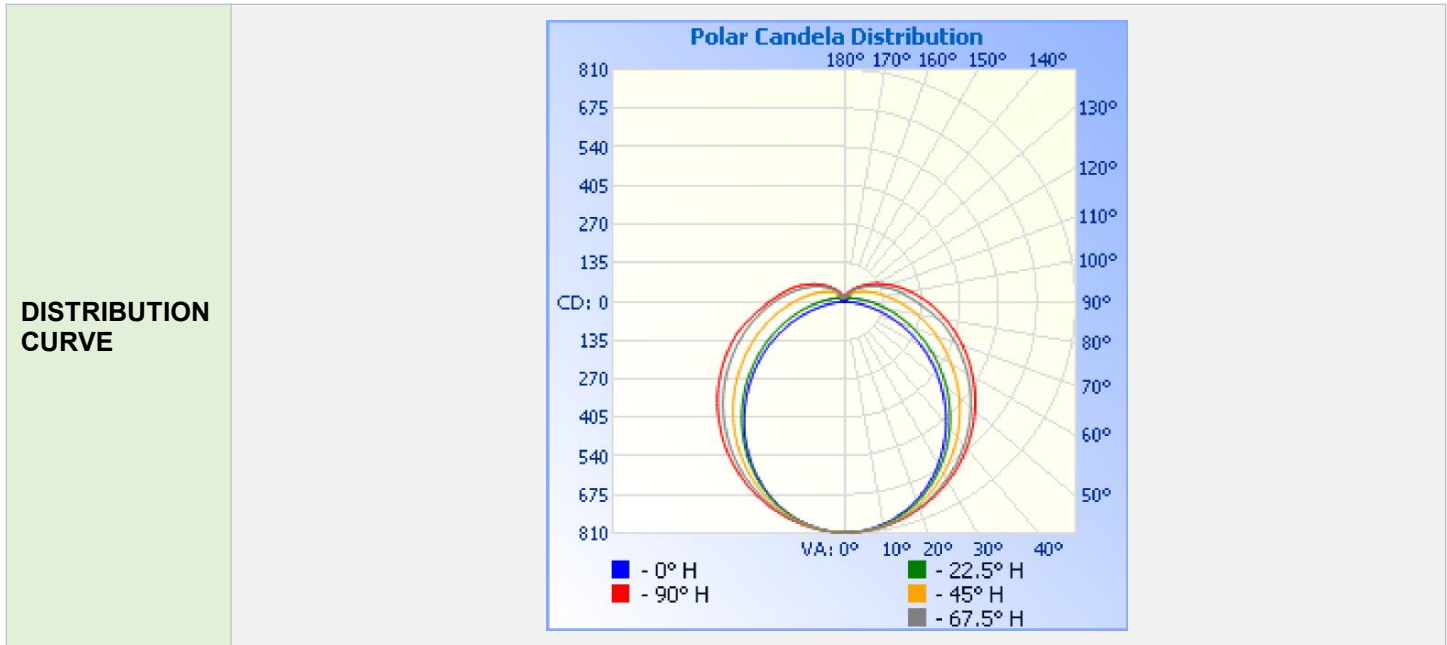
FIXTURE

RED (DIM+)
BLUE (DIM-)

Dimming

Project:	
Date:	
Note:	

SIMPLY RELIABLE



SHIPPING

Pcs / Carton	4pcs
Master Carton Size	97.64" x 10.63" x 9.06"
Pcs / Pallet	144pcs
Pcs / 20' GP	744pcs (No Pallet) 688pcs (Palletized)
Pcs / 40' GP	1376pcs (No Pallet) 1488pcs (Palletized)
Pcs / 40' HQ	1652pcs (No Pallet) 1872pcs (Palletized)
Pcs / 45' HQ	1928pcs (No Pallet) 2012pcs (Palletized)

*Package specifications are subject to change without notice.


LAMP CODE DEFINITIONS

Internal Use	Wattage	Size	CCT	Category
TR11	40W	240 = 8'	40K = 4000K 50K = 5000K	-

Project:	
Date:	
Note:	

SIMPLY RELIABLE

ACCESSORIES

SKU	Description	Image
57-55013-A	Suspension Chain (4' x 1pcs / 8' x 2pcs)	
57-55014-A	Surface Mount Plate (4' x 1pcs / 8' x 2pcs)	
57-55026-A	End-to-End Link Connector	
79-92017	LED Emergency Power Supply 8W	