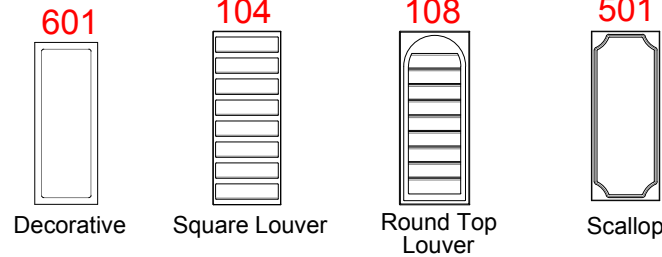


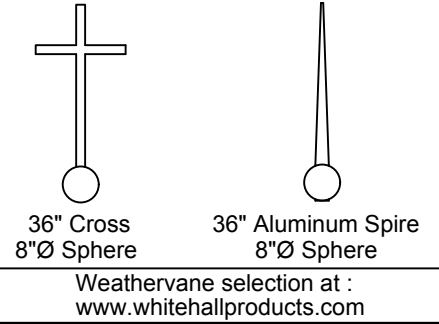
Cupola Data

Overall Height = 11'-2"
 Base Width = 5'
 Unit Weight = 575 lbs.

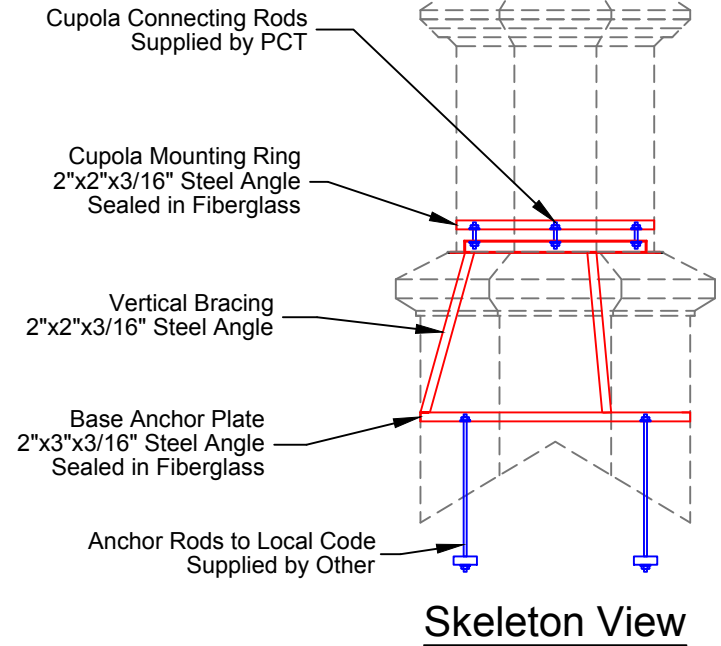
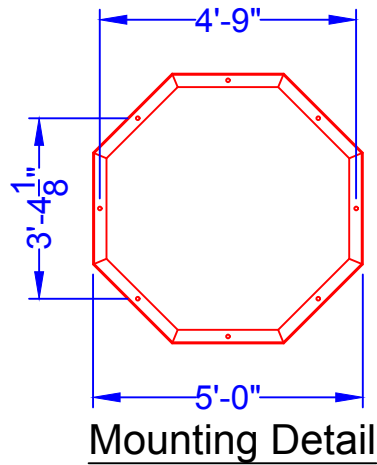
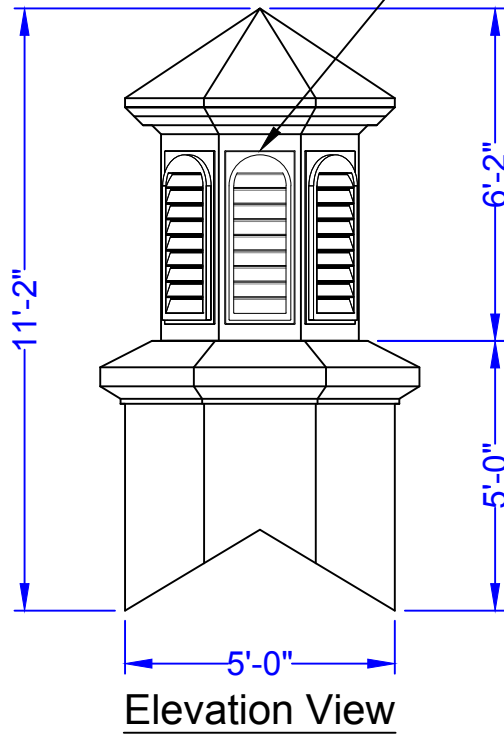
Available Standard Panel Styles



Optional Cupola Finials



Base Panel - See Available Standard Panel Styles Above



33 Lewittes Rd.
 Taylorsville, NC 28681
 Phone: 828-632-8883
 Fax: 828-632-5585
www.piedmontcomposites.com

Model :

CUPOLA

830SLPK

Scale: N/A
 Drawn by: K.SHERRILL
 Created On: N/A
 Updated On: 05/09/19

Note: All drawings are the property of Piedmont Composites & Tooling, LLC. Variation in material thickness, dimension and weight may occur. PCT reserves the right to change or modify design at anytime without notice.