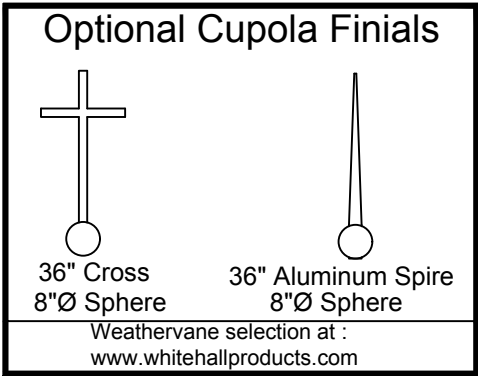
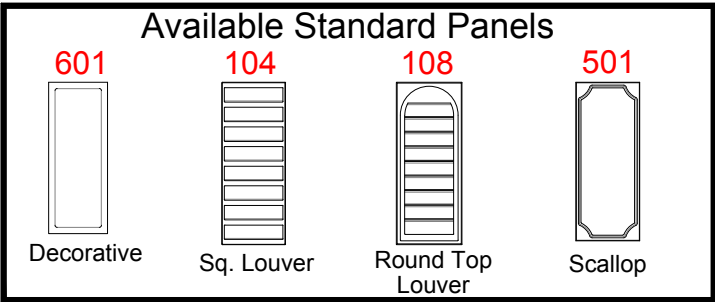
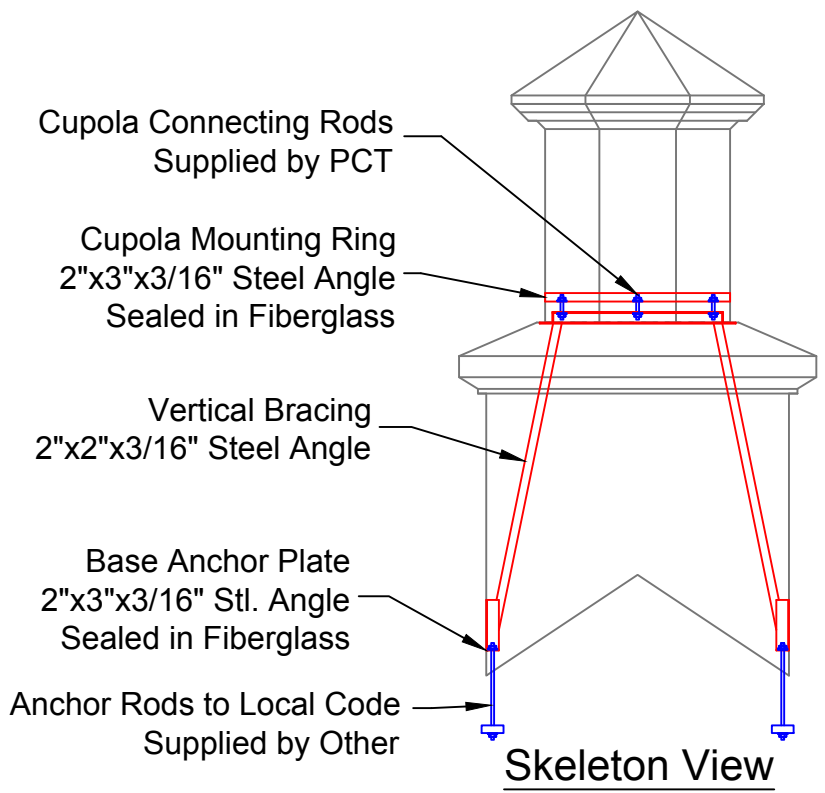
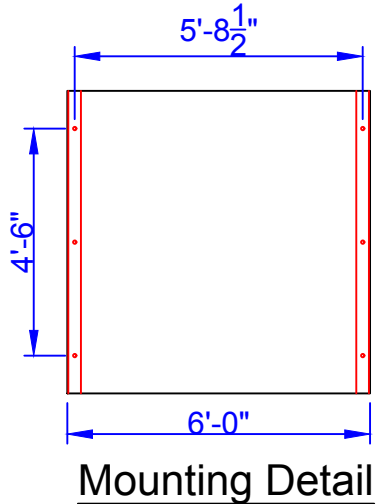
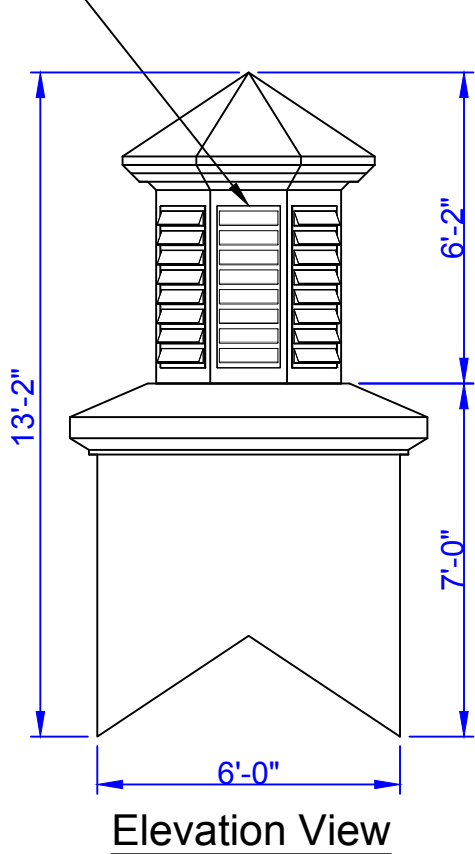


**Cupola Data**  
 Overall Height = 13'-2"  
 Base Width = 6'  
 Unit Weight = 800 lbs.



Base Panels - See Available Options Above



**PIEDMONT**  
 COMPOSITES & TOOLING

33 Lewittes Rd.  
 Taylorsville, NC 28681  
 Phone: 828-632-8883  
 Fax: 828-632-5585  
 www.piedmontcomposites.com

Model :

**CUPOLA**  
**860LPK**

Scale:  
 N/A  
 Drawn by:  
 C.BOTHOS  
 Created On  
 -  
 Updated On  
 03/27/19

Note: All drawings are the property of Piedmont Composites & Tooling, LLC. Variation in material thickness, dimension and weight may occur. PCT reserves the right to change or modify design at anytime without notice.