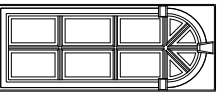


Cupola Data
 Overall Height = 7'
 Base Width = 3'-8"
 Unit Weight = 125 lbs.

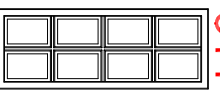
Optional Window Panels

304



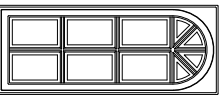
Keystone

311



Squared

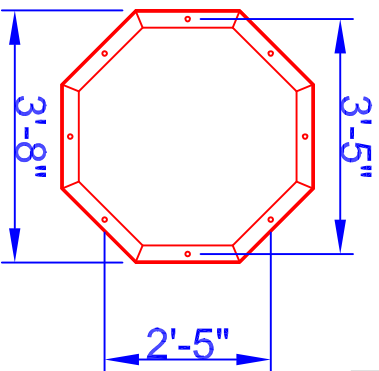
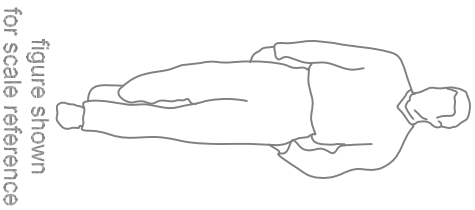
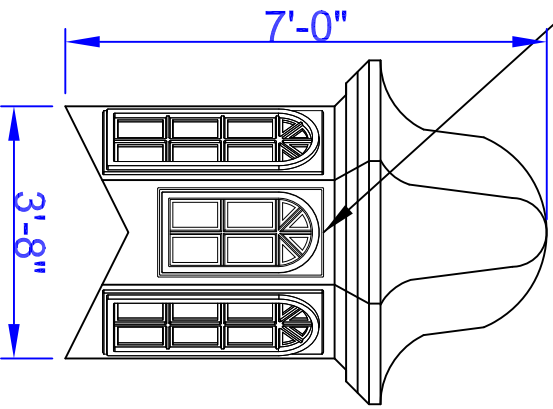
306



Round Top

Note: Windows also available without panes.

Base Panel: WR comes standard with 8 K-glass windows. See above for optional window designs.

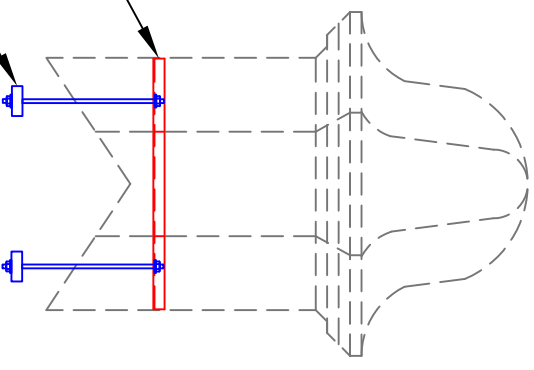


Mounting Detail

Base Anchor Plate
 2" x3" x3/16" Steel Angle
 Sealed in FRP

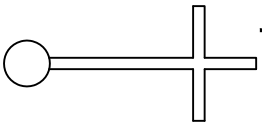
Anchor Rods
 Supplied by others

Skeleton View

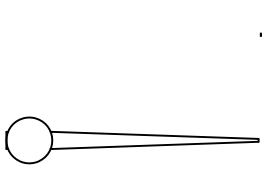


Note: All drawings are the property of Piedmont Fiberglass. Dimensions & designs may be altered to accommodate manufacturing.

Optional Cupola Finials




36" Cross
8"Ø Sphere



36" Aluminum Spire
8"Ø Sphere

Weathervane selection at :
www.whitehallproducts.com



Piedmont Fiberglass
 INCORPORATED

Old Fashioned Craftsmanship With Modern Composites Technology

Piedmont Fiberglass Inc.
 PO Box 1089
 Taylorsville, NC 28681
 Phone: 828-632-8883
 Fax: 828-632-5585
www.piedmontfiberglass.com

Model: **Cupola**

800-WR

Scale: **scale**

Drawn By: **TJD/JEM**

Created On: **2/10/07**

Updated On: **11/11/10**