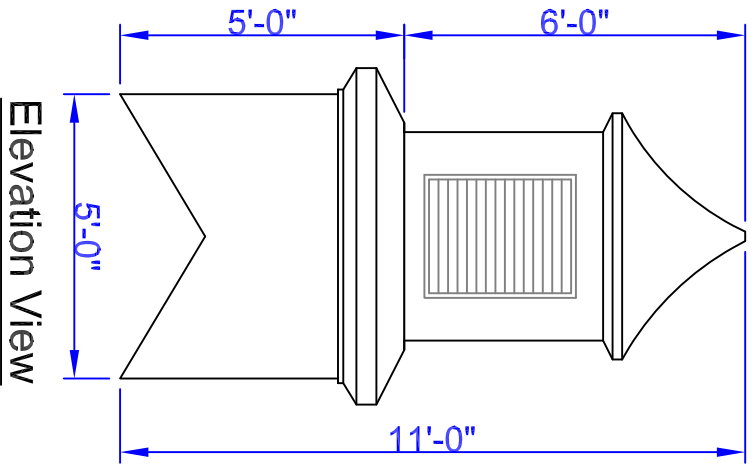
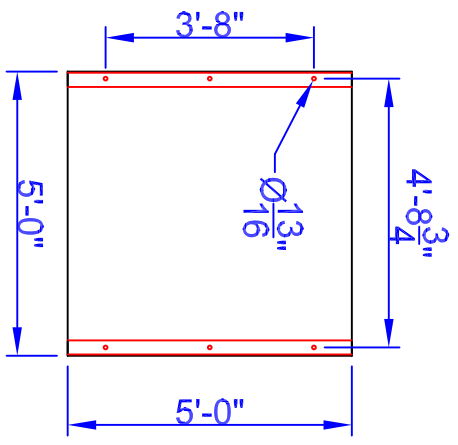


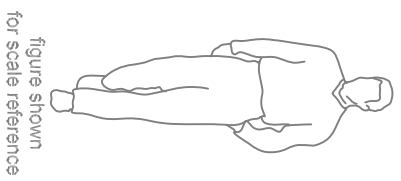
Cupola Data
 Overall Height = 11'
 Base Width = 5'
 Unit Weight = 575 lbs.



Elevation View



Mounting Detail

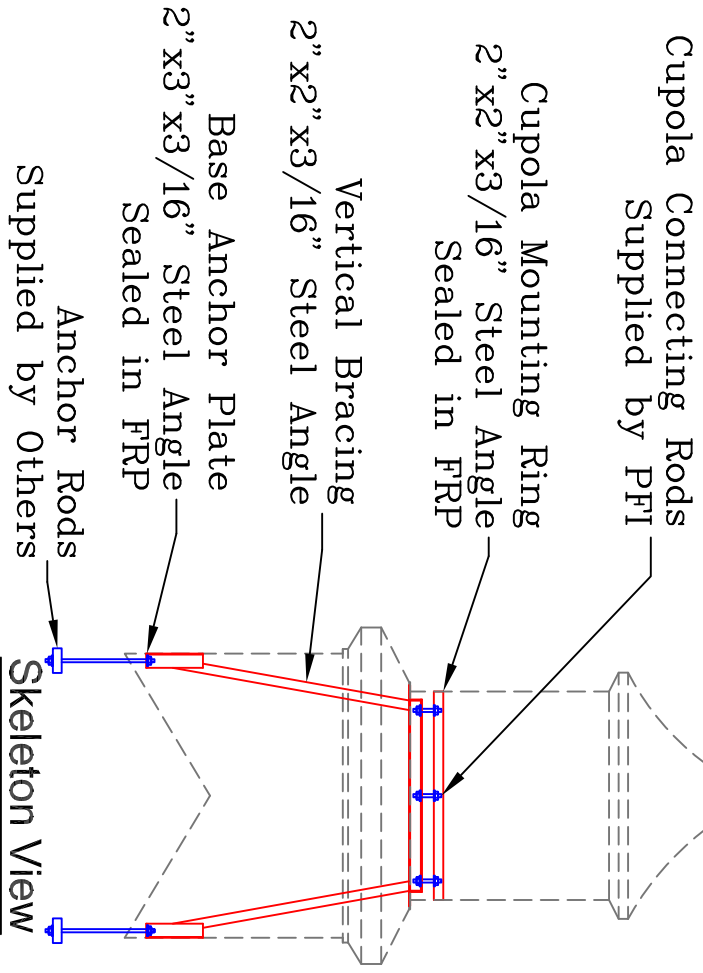


Optional Cupola Finials

36" Cross
8"Ø Sphere

36" Aluminum Spire
8"Ø Sphere

Weathervane selection at :
www.whitehallproducts.com



Note: All drawings are the property of Piedmont Fiberglass. Dimensions & designs may be altered to accommodate manufacturing.



Piedmont Fiberglass Inc.
 PO Box 1089
 Taylorsville, NC 28681
 Phone: 828-632-8883
 Fax: 828-632-5585
 www.piedmontfiberglass.com

Cupola

Model: **500-LP**

Scale: **Scale**

Drawn By: **TJD/JEM**

Created On: **2/19/07**

Updated On: **11/8/10**