

Cupola Data
Overall Height = 17'
Base Width = 5'
Unit Weight = 575 lbs.

Optional Cupola Finials

36" Cross
 8" Ø Sphere

36" Aluminum Spire
 8" Ø Sphere

Weathervane selection at:
www.whitehallproducts.com

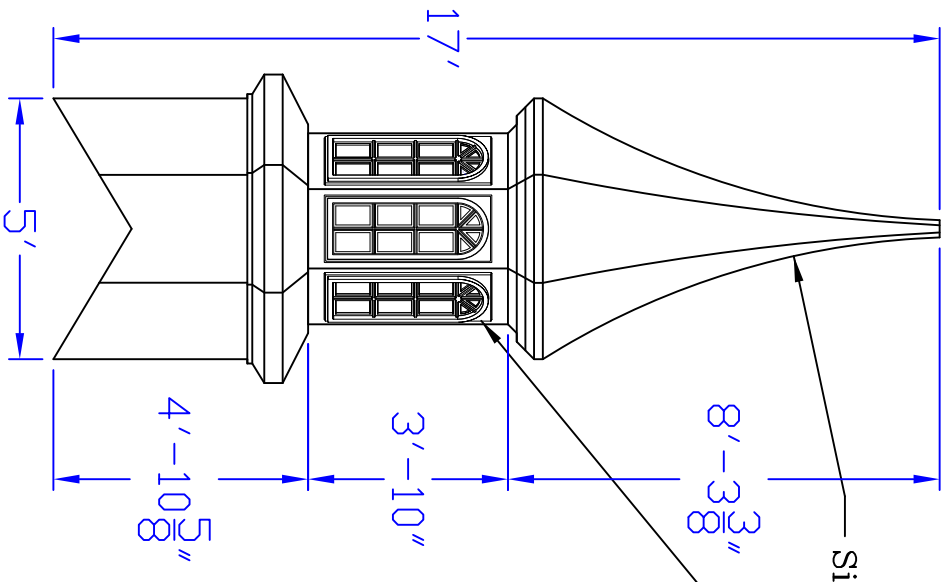
Optional Window Panels

304 Keystone
 311 Squared
 306 Round Top

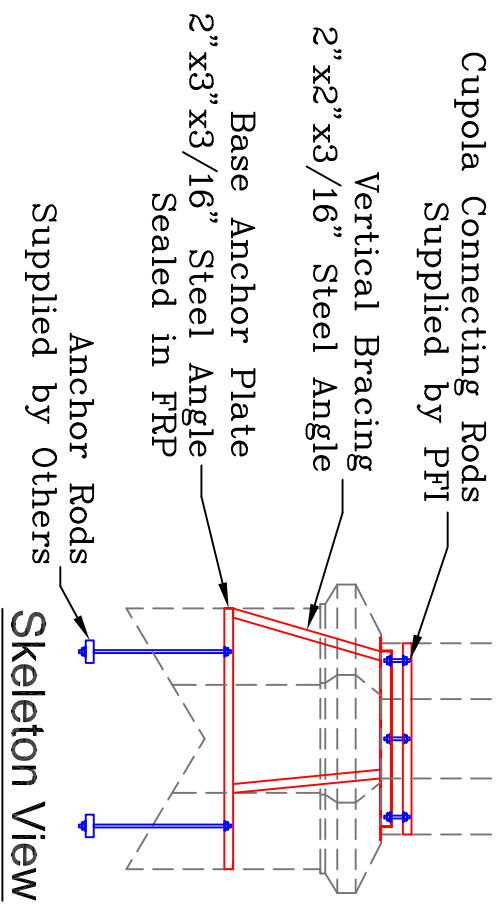
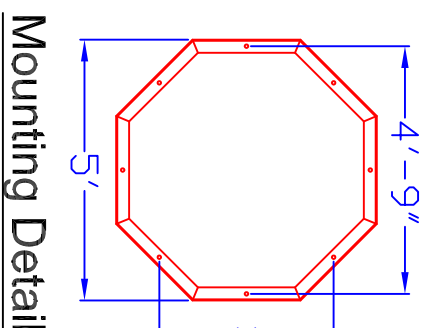
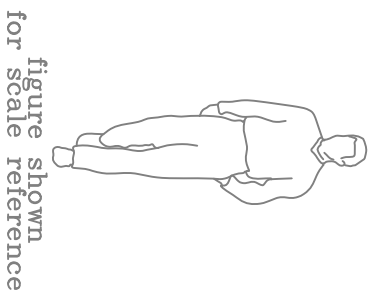
Note: Windows also available without panes.

Single Piece Fiberglass Shell

Base Panels: 720-W Comes Standard With 8 K-Glass Windows. See Above for Optional Window Designs



Elevation View



Note: All drawings are the property of Piedmont Fiberglass Inc. Dimensions and designs may be altered slightly to accommodate manufacturing.



P.O. Box 1089
 Taylorsville, NC 28681
 Phone: 828-632-8883 Fax: 828-632-5585
www.PiedmontFiberglass.com

Model: **CUPOLA**

720-W

Scale: **SCALE**
 Drawn by: **JEM**
 Created On: **10/20/10**
 Updated On: **11/5/10**