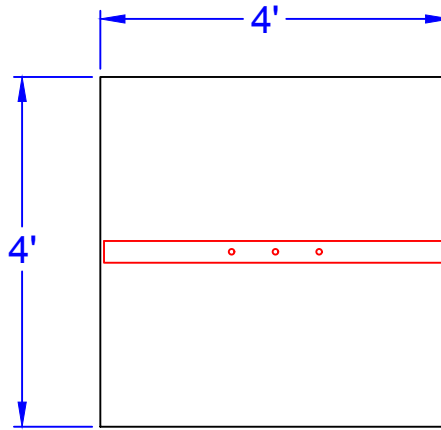


Cupola Data
 Overall Height = 5'
 Base Width = 4'
 Unit Weight = 125 lbs.



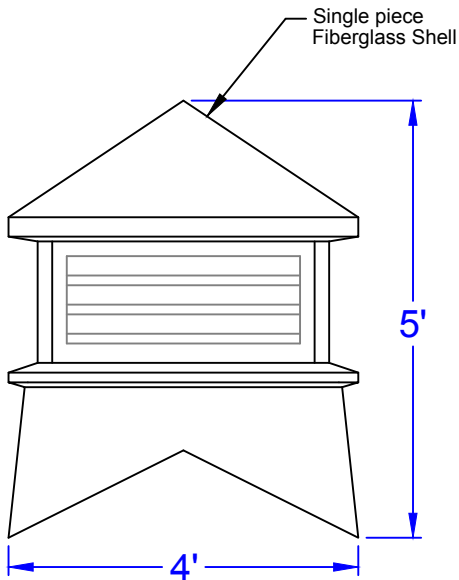
Steel Anchor Plate
 (2"x2"x3/16" Stl. Angle)
 Sealed in Fiberglass

Mounting Detail

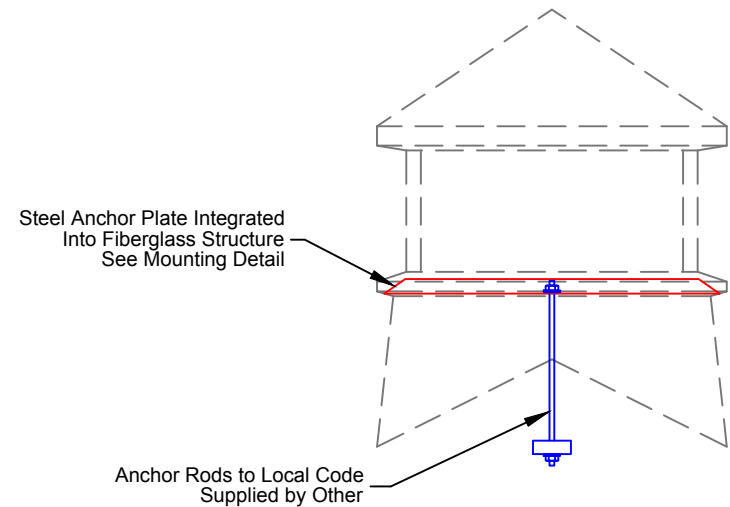
Optional Cupola Finials

24" Cross
 5"Ø Sphere

Weathervane selection at :
www.whitehallproducts.com



Elevation View



Skeleton View



PIEDMONT
 COMPOSITES & TOOLING

33 Lewittes Rd.
 Taylorsville, NC 28681
 Phone: 828-632-8883
 Fax: 828-632-5585
www.piedmontcomposites.com

CUPOLA

Model :

400

Scale:
 N/A

Drawn by:
 K.SHERRILL

Created On
 N/A

Updated On
 05/07/19

Note: All drawings are the property of Piedmont Composites & Tooling, LLC. Variation in material thickness, dimension and weight may occur. PCT reserves the right to change or modify design at anytime without notice.