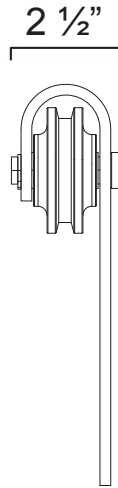
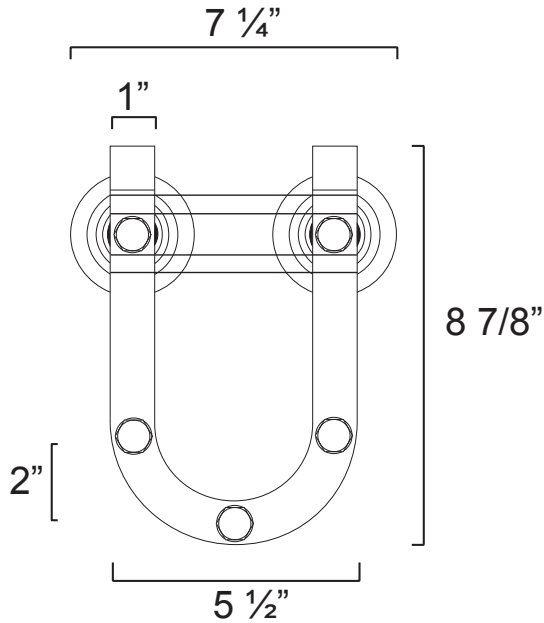


**BARN DOOR HARDWARE
2000 SERIES**



Description	Finish	Item No.	List Price	CTN QTY	WT/CTN
2000 Series 6 FT Barn Door Hardware (Horseshoe)	Black	BD2064		1	20 Lbs

Additional track lengths and finishes available. See page D-7.

Series Includes:

- 2 Hangers w/ Quiet Bearing Wheels
- Track (Pre-drilled)
- Standoffs & Lag Bolts
- 2 Door Stops
- 1 Door L Guide
- Anti-Jump Disc
- Bolts, Nuts, & Washers

Weight Limit:
330 Lbs per set

