





Professional Solutions - Unrivaled Value

Single adjustable height ceiling mount for 13" to 46" flat panel screens, allows a different mounting solution when wall mounting is not an option. Continuous tilt of 20° forward, 360° rotation and 1" incremental drop lengths provide perfect screen positioning. Makes a secure installation quick and easy, simply hang the screen and turn the pre-assembled securing screw to lock in place. Compatible with all 1.5" NPT threaded pipe.

 13"-46" / 33cm-116cm

 80 LB / 36 KG

Functional Specifications

Tilt: +20°/-0°

Rotation: 360°

Mounting Surfaces: Structural wood beams (with included hardware) & concrete & other structural surfaces (requires additional hardware or accessories).

Max Mounting Pattern:

200mm (7.9") width

200mm (7.9") height

Drop Length: 24"-36" in 1" increments.

Load Capacity: 80 LB / 36 KG

Warranty: Limited 10 Years

Pre-Installed Securing Screws
Easy hook and secure installation and pre-assembled securing screw makes installation fast and easy.

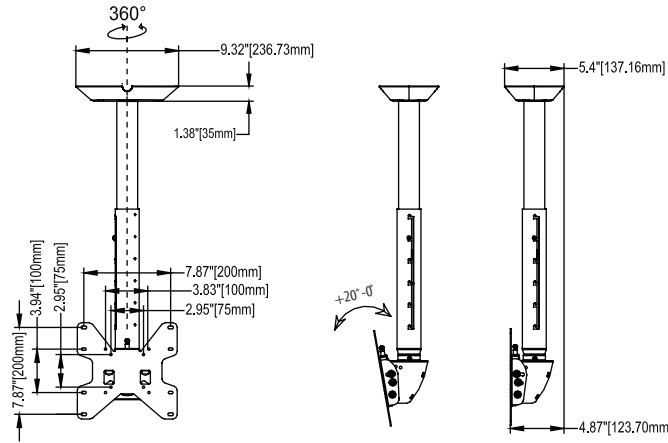
VESA Design
Compatible with 75X75mm, 100X100mm, 200X100mm and 200X200mm sizes.

Mounting Surface
Standard 1.5" NPT threaded connection.

Adjustable Drop Length
Adjust to the perfect length using 1" incremental adjustments.

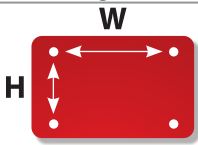
Tilt
0 to +20° tilt for optimal viewing angles.

Mounting Hardware
Complete set of screen mounting hardware, labeled for ease of use and ready to go.



Product Specifications				Package Specifications			
PRODUCT WEIGHT	LOAD CAPACITY	COLORS	FINISH	PACKAGE SIZE (WxHxD)	SHIP WEIGHT	UPC CODE	PACKAGE CONTENTS
12.6lb (5.7kg)	80lb (36kg)	Black	Scratch resistant powder coating	27" x 11.5" x 8.8" (686 x 292 x 224 mm)	17.6lb (8kg)	MPC-M22V-36A (Black)	Ceiling adapter, adjustable column, mount box, mounting hardware, manual.

Mounting Interface



Max Mounting Pattern
200mm (W) x 200mm (H)

VESA	W	H	75mm	100mm	200mm	200mm
	X	X	X	X	X	X
	H	X	100mm	100mm	100mm	200mm

Accessories

Suspended Ceiling Adapters



MPC-A-S1W

For mounting above a false ceiling tile. 13" of lateral shift for fast project adjustment. Compatible with all 1.5" NPT threaded pipe.



MPC-A-S2W

Replaces a standard 2' x 2' grid. 13" of lateral shift for fast project adjustment. Compatible with all 1.5" NPT threaded pipe.

Structural Ceiling Adapters



MPC-A-1

Wood Single Joist / Concrete



MPC-A-2

Wood 16" Double Joist / Concrete



MPC-A-4

General Purpose 4x4"



MPC-A-8

General Purpose 8x8"

Truss Ceiling Adapter



MPC-A-T3

Mounts to round, square and rectangular trusses from .75" up to 3" in diameter and is compatible with all 1.5" NPT threaded pipe.

Vaulted Ceiling Adapter



MPC-A-V1

For installation on cathedral or vaulted ceilings. Adjusts up to 94° and is compatible with all 1.5" NPT threaded pipe.

Unistrut Ceiling Adapters



MPC-A-U1

Bracket and hardware for mounting to single 1-5/8"x1-5/8" Unistrut.



MPC-A-U4

Bracket and hardware (4x4) for mounting to standard 1-5/8"x1-5/8" dual channels spaced on 2.25" centers.



MPC-A-U8

Bracket and hardware (8x8) for mounting to standard 1-5/8"x1-5/8" dual channels spaced on 6" centers.

Unistrut Bolts



MP-HU2 (2 Bolts)

MP-HU4 (4 Bolts)

3/8" bolts and spring nuts for mounting ceiling brackets to standard 1-5/8"x1-5/8".

Fixed Columns

Static ceiling columns for use with all ceiling adapters using standard 1.5" NPT interfaces. Connectors (sold separately) give ability to extend drop lengths by connecting two or more columns. Cable management with a completely open interior.



BLACK	DROP
MPE-06	6"
MPE-1	12"
MPE-018	18"
MPE-2	2'
MPE-3	3'
MPE-4	4'
MPE-5	5'
MPE-6	6'
MPE-7	7'
MPE-8	8'
MPE-9	9'
MPE-10	10'

Adjustable Columns

Adjustable extension columns designed for use with all ceiling adapters using standard 1.5" NPT interfaces. Column allows for flexibility with quick 1" incremental drop length adjustments and cable management with a completely open interior. Connectors (sold separately) give ability to extend drop lengths by connecting two or more columns.



BLACK	DROP
MPEA-0611	6"-11"
MPEA-01218	12"-18"
MPEA-01824	18"-24"
MPEA-23	2'-3'
MPEA-24	2'-4'
MPEA-35	3'-5'
MPEA-46	4'-6'
MPEA-57	5'-7'
MPEA-68	6'-8'
MPEA-79	7'-9'
MPEA-810	8'-10'
MPEA-911	9'-11'
MPEA-1012	10'-12'

Visit mustangav.com to see the full line of vidamounts LCD/plasma, projector and TV/monitor mounts.