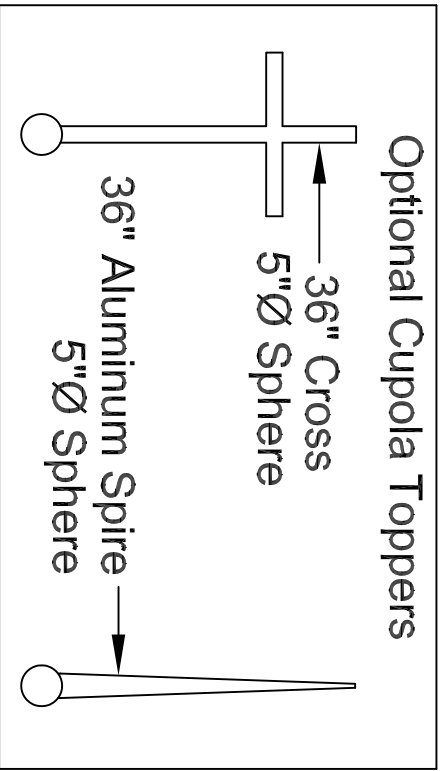
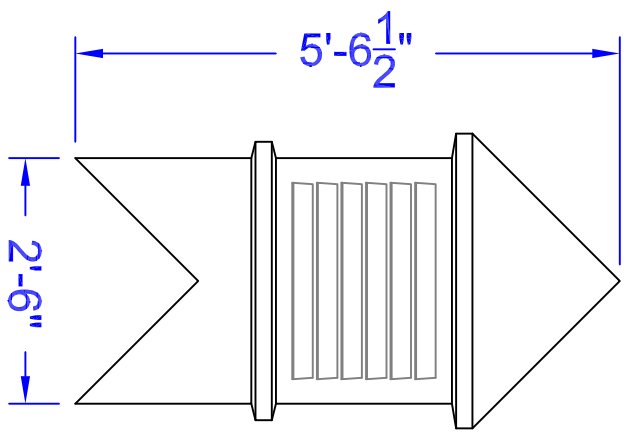


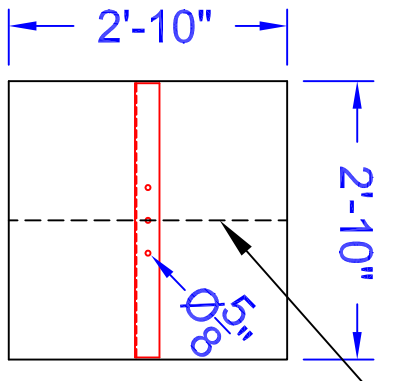
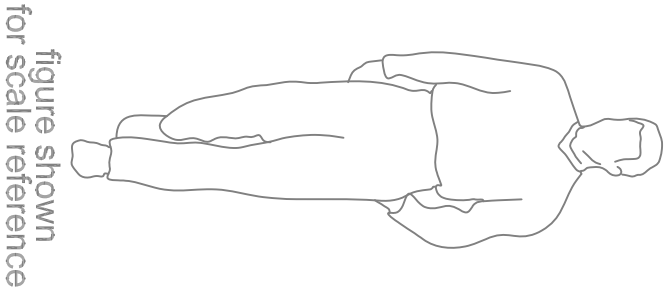
Cupola Data
 Overall Height = 5'-6 1/2"
 Base Width = 2'-6"
 Unit Weight = 100 lbs.



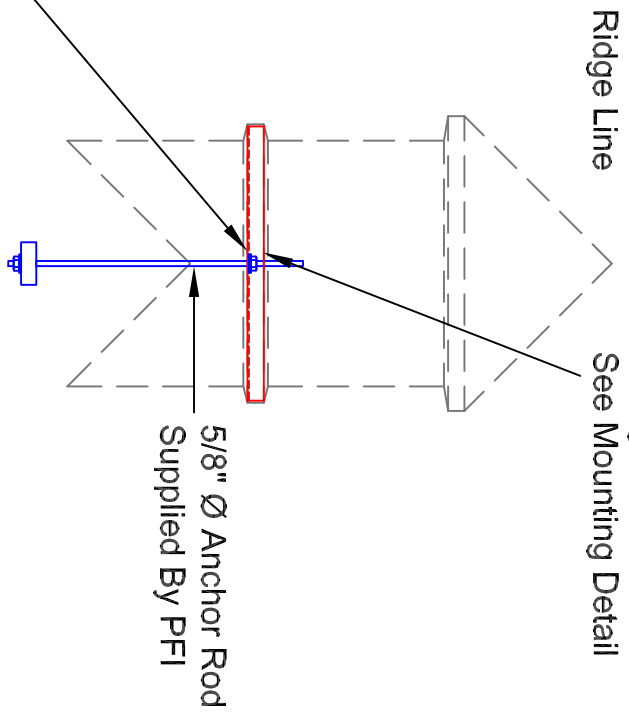
Weatherane selection at :
www.whitehallproducts.com



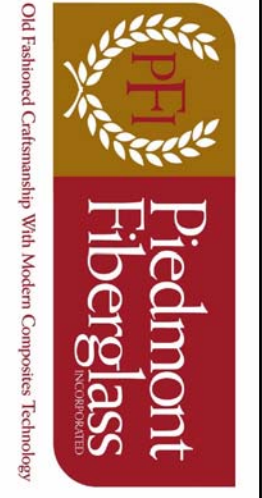
Elevation View



Steel Anchor Plate
 (2"x3"x3/16" angle)
 Sealed in FRP



Note: All drawings are the property of Piedmont Fiberglass. Dimensions & designs may be altered to accommodate manufacturing.



Piedmont Fiberglass Inc.
 PO Box 1089
 Taylorsville, NC 28681
 Phone: 828-632-8883
 Fax: 828-632-5585
www.piedmontfiberglass.com

Cupola
 Model: **30 LPK**

Created On: 10/8/12
 Updated On: 11/20/13
 Drawn By: JEM