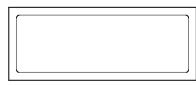



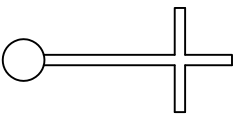



Cupola Data
 Overall Height = 10'-4"
 Base Width = 4'
 Unit Weight = 275 lbs.

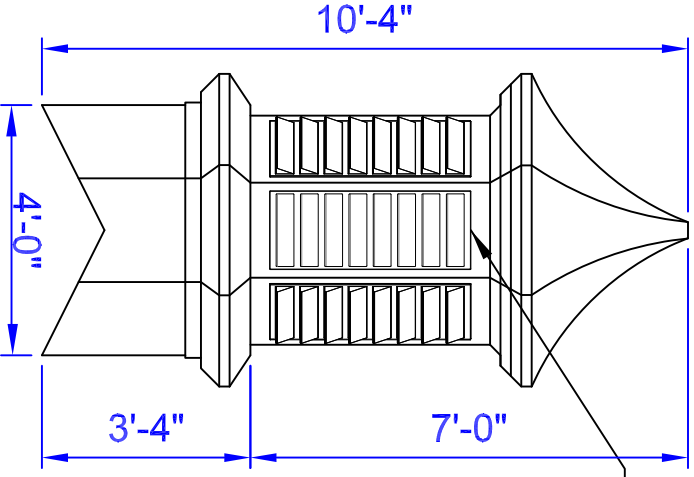
Available Standard Panels

Decorative		601
Sq. Louver		104
Round Top Louver		108
Scallop		501

Optional Cupola Finials

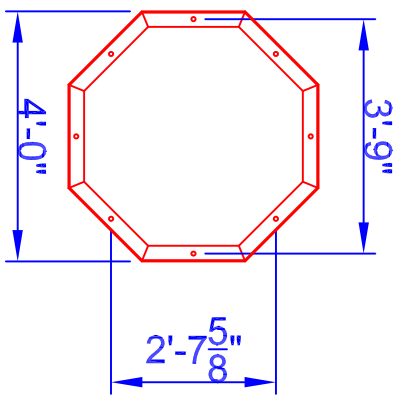
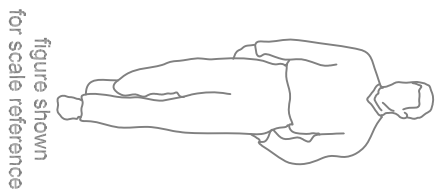
	36" Cross 8"Ø Sphere		36" Aluminum Spire 8"Ø Sphere
---	-------------------------	---	----------------------------------

Weatheravane selection at :
www.whitehallproducts.com



Elevation View

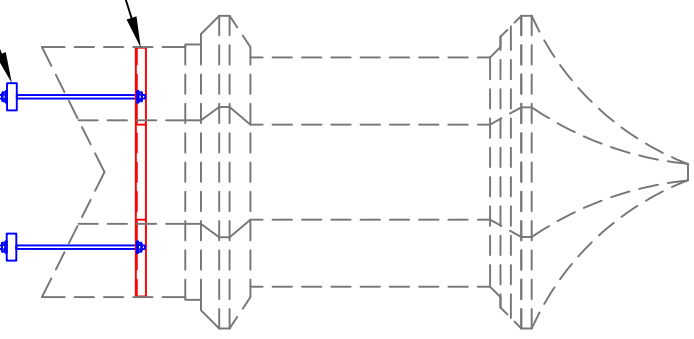
Base Panels – See Available Options Above



Mounting Detail

Base Anchor Plate
 2" x 3" x 3/16" Steel Angle
 Sealed in FRP
 Anchor Rods
 Supplied by Others

Skeleton View



Note: All drawings are the property of Piedmont Fiberglass. Dimensions & designs may be altered to accommodate manufacturing.



Piedmont Fiberglass Inc.
 PO Box 1089
 Taylorsville, NC 28681
 Phone: 828-632-8883
 Fax: 828-632-5585
www.piedmontfiberglass.com

Cupola
 Model: **900-LP**

Scale: **scale**
 Drawn By: **TJD/JEM**
 Created On: **2/10/07**
 Updated On: **11/23/10**