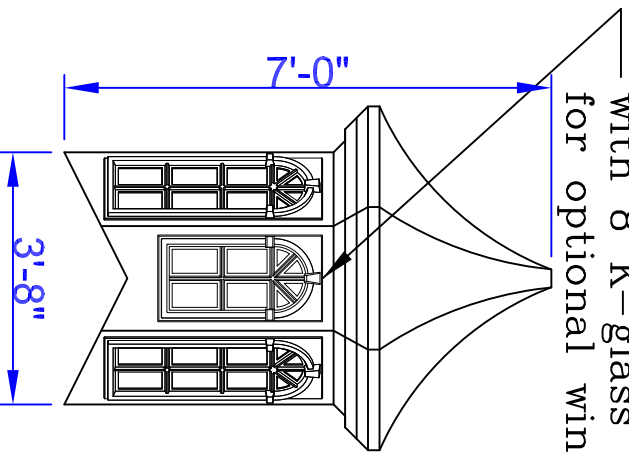


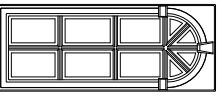
Cupola Data
 Overall Height = 7'
 Base Width = 3'-8"
 Unit Weight = 125 lbs.

Base Panel: WP comes standard with 8 K-glass windows. See above for optional window designs.

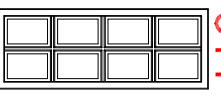


Elevation View

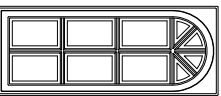
Optional Window Panels



304
Keystone



311
Squared



306
Round Top

Note: Windows also available without panes.

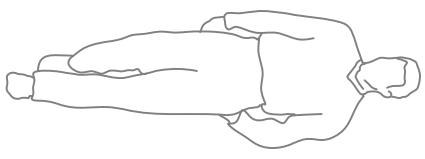
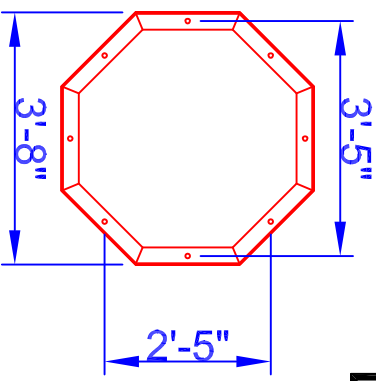


figure shown for scale reference

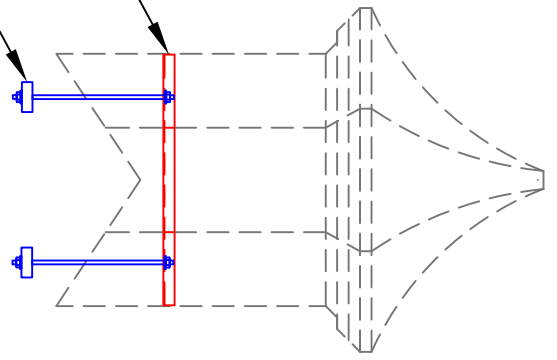


Mounting Detail

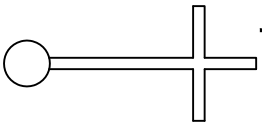
Base Anchor Plate
 2" x3" x3/16" Steel Angle
 Sealed in FRP

Anchor Rods
 Supplied by Others

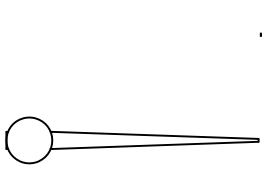
Skeleton View



Optional Cupola Finials



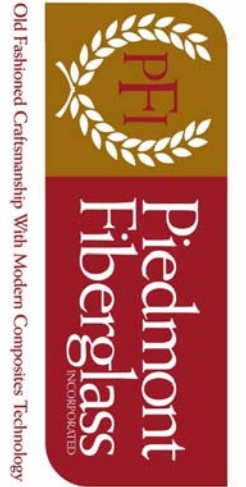
36" Cross
8"Ø Sphere



36" Aluminum Spire
8"Ø Sphere

Weathervane selection at :
www.whitehallproducts.com

Note: All drawings are the property of Piedmont Fiberglass. Dimensions & designs may be altered to accommodate manufacturing.



Piedmont Fiberglass Inc.
 PO Box 1089
 Taylorsville, NC 28681
 Phone: 828-632-8883
 Fax: 828-632-5585
www.piedmontfiberglass.com

Model: **Cupola**

800-WP

Scale: **scale**

Drawn By: **TJD/JEM**

Created On: **2/10/07**

Updated On: **11/11/10**