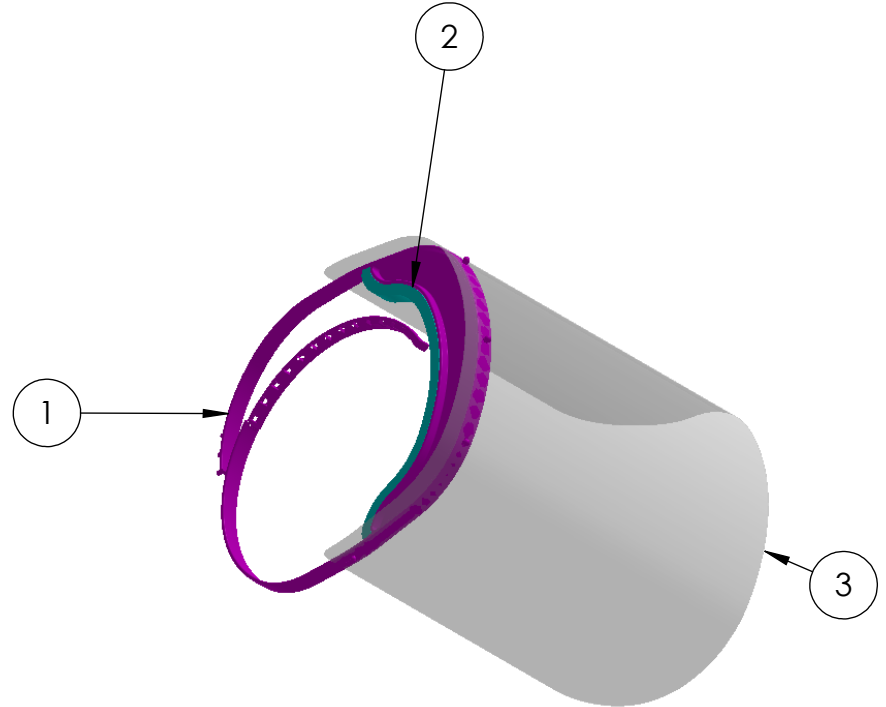
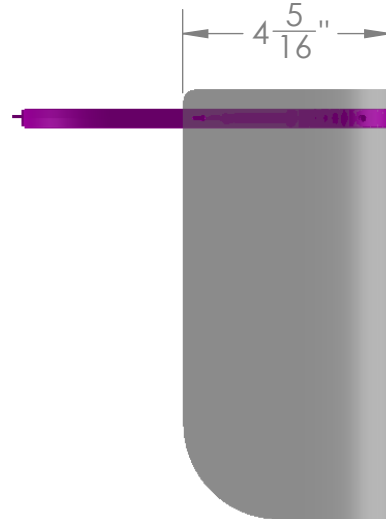
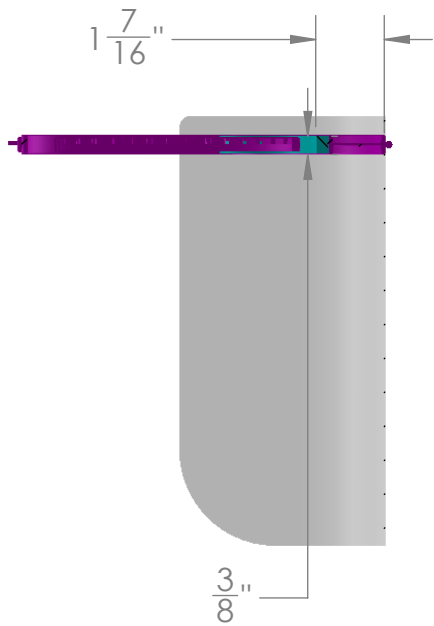
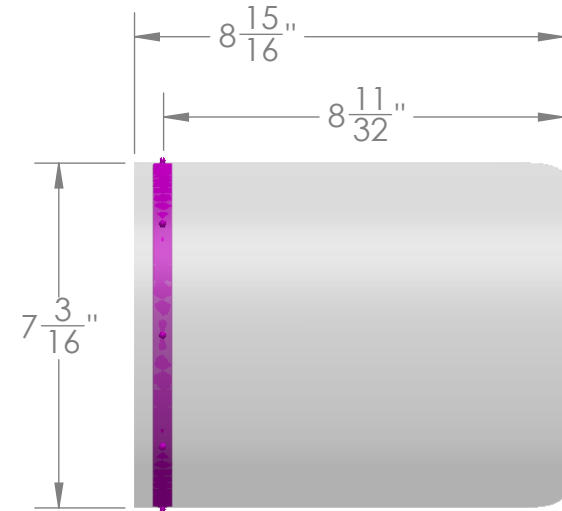
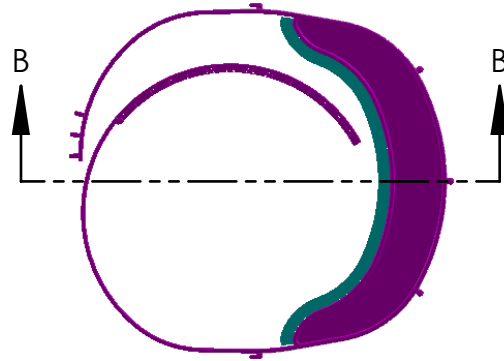


MINIMUM CIRCUMFERENCE ENGAGING 3 POSTS = 22 1/8"  
 MINIMUM CIRCUMFERENCE ENGAGING 2 POSTS = 21 3/4"

MAXIMUM CIRCUMFERENCE ENGAGING 3 POSTS = 26 1/2"



SECTION B-B

FACESHIELD WITH HEADBAND AND FOAM

ITEM NO.	PART NUMBER	QTY.
1	headband v9	1
2	foam v1	1
3	shield v2	1