

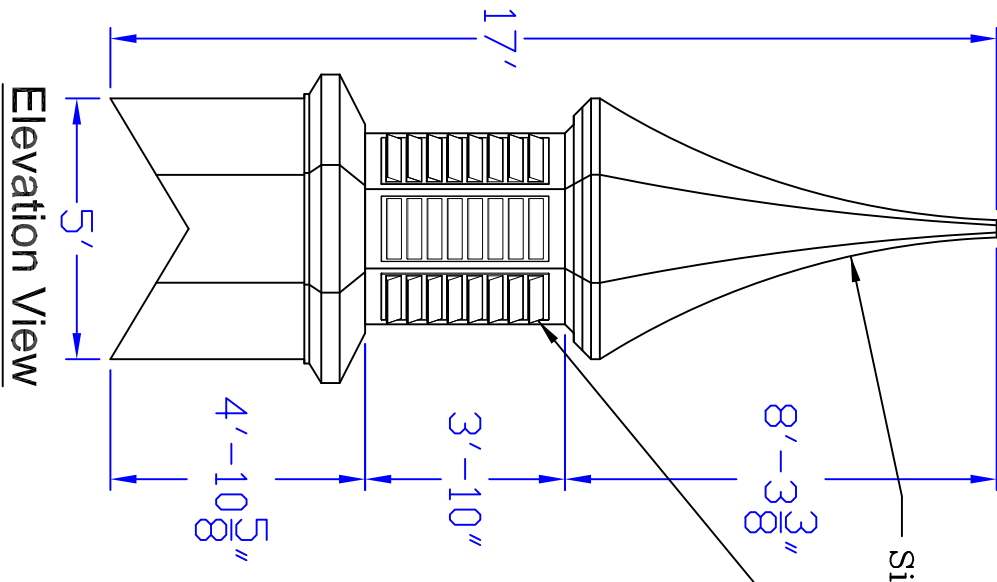
Cupola Data
Overall Height = 17'
Base Width = 5'
Unit Weight = 575 lbs.

Optional Cupola Finials

36" Cross
 8"Ø Sphere

36" Aluminum Spire
 8"Ø Sphere

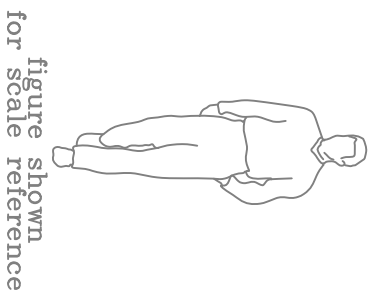
Weathervane selection at:
www.whitehallproducts.com



Elevation View

Single Piece Fiberglass Shell

Base Panels – See Available Options Above



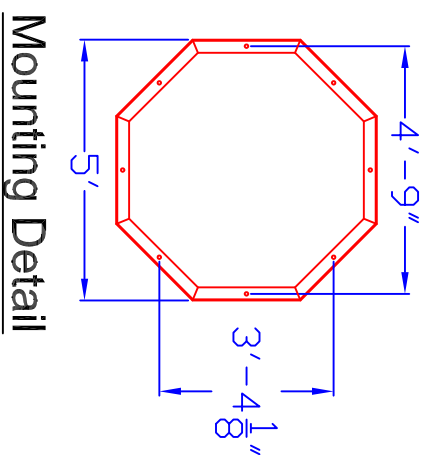
Available Standard Panels

601 Decorative

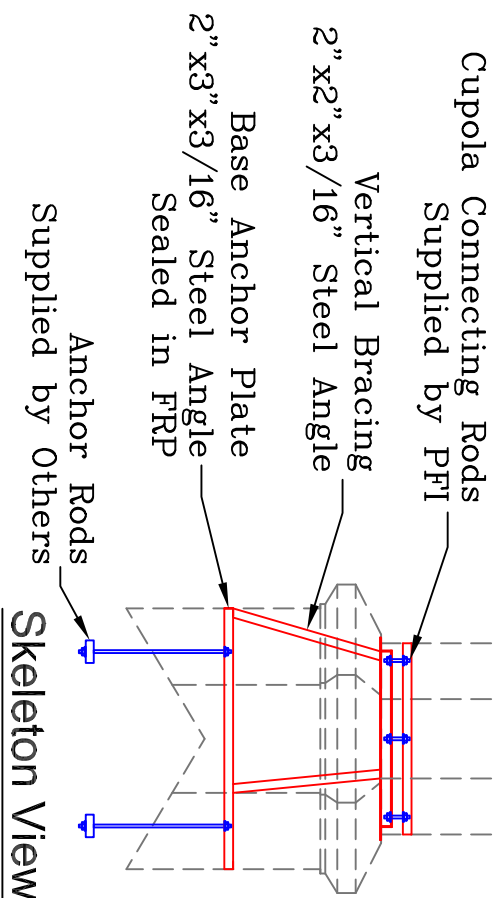
104 Sq. Louver

108 Round Top Louver

501 Scallop



Mounting Detail



Skeleton View

Note: All drawings are the property of Piedmont Fiberglass Inc. Dimensions and designs may be altered slightly to accommodate manufacturing.



P.O. Box 1089
 Taylorsville, NC 28681
 Phone: 828-632-8883 Fax: 828-632-5585
www.PiedmontFiberglass.com

CUPOLA

Model : **720-L**

Scale: **SCALE**
 Drawn by: **JEM**
 Created On **10/20/10**
 Updated On **11/5/10**