

User Manual & Operating Instructions



DC-L Series

CARAVAN – MARINE – RV - OFFGRID



Congratulations on your purchase of a Bushman DC-L fridge. Please read these instructions carefully before installation and use.

Please be safe and use common sense and caution when installing, operating and cleaning this appliance. If you are unsure about any of these instructions, contact your local dealer before proceeding.

IMPORTANT INFORMATION

Do not lay your fridge on its back, top or sides or at any angle exceeding 30°. If your fridge has been incorrectly handled, ensure that the fridge is placed in a level upright position for 12 hours to allow the internal fluids to redistribute evenly.

Never operate your fridge directly from a 240 V or AC power supply.

Do not use a modified sine wave inverter to operate your fridge.

PRIOR TO INSTALLATION

DELIVERY

At delivery, please check that the fridge is complete and is not damaged in any way. Remove all packaging and securing tapes from the fridge. To avoid injury and causing damage to the appliance, be extremely cautious when using sharp or pointed tools to complete this task.

Do not connect an appliance that has been damaged, contact your local stockist immediately.

INSTALLATION

Installation of the DC-L range of fridges must be completed by a suitably trained professional only.

POWER SUPPLY

Your fridge must be connected to a stable and regulated 12 V or 24 V DC power supply only. The compressor will automatically detect which voltage is present adjust accordingly.

If you are using a generator or other power supply, the output must be a pure sine wave. Any fluctuations in generator current may damage the compressor.

WIRING

Wire your fridge directly to your battery bank, without going via a buss bar, battery management system or shared circuit. For optimum results, you will need the correct sized wire depending on the distance from your power supply to the fridge. Please also ensure the earth is wired directly to your battery, not to a chassis. If your wiring is insufficient, your fridge may not perform correctly or may be damaged.

CROSS SECTION IN MM²	MAXIMUM LENGTH OF WIRE IN METRES	
	12 V	24 V
2.5	2.5	5
4	4	8
6	6	12
10	10	20

ISOLATION SWITCH

Install an isolation switch or breaker for the fridge circuit as close to your battery bank as possible. Any switches must have a breaking load not less than 20 A on 12 V or 10 A on 24 volts.

Ensure the wiring polarity is correct. Connect the red wire to the positive terminal (+) and the black wire to the negative terminal (-).

Never connect bare electric wires. Use only connections of a size suitable for the cross section of the wire being used.



INSTALLATION IN A CAVITY WITH THE MOUNTING KIT

DC-L fridges are designed to be installed in a cavity. We recommend allowing a minimum 5mm gap in width and height for ease of installation. A minimum gap of 50mm is recommended for the rear. Refer to the following table for the recommended cut-out dimensions.

MODEL	CUT-OUT CAVITY DIMENSIONS (MM)		
	WIDTH	DEPTH	HEIGHT
DC190-L	605	575	1385
DC285-L	605	675	1555

VENTILATION

Two vents need to be provided from the rear of the fridge cavity to the outside environment, or to the general area where the fridge is located. The vents should be located at the bottom and top of the fridge cavity and have a free cross section of at least 600cm² each. Please note a 500cm x 250cm vent provides only approximately 600cm² of free air flow (not 1250cm²)

MOUNTING KIT

The mounting kit is first affixed to the side and top of the fridge cabinet using the screws provided.

Once the fridge has been connected to the power supply and moved into its final position, the mounting kit can be affixed to the front of the cavity.

OPERATING THE FRIDGE

THERMOSTAT

- The cooling level can be set between 1 and 7. (7 is the coldest setting and 1 is the warmest)
- The most common setting is between 3 and 5.

EQUALISING THE FRIDGE

During the first 24 hours of operation, your compressor will operate for longer than usual. This process allows the internal air temperature, food, drinks, condenser and insulation to equalise.

ENERGY SAVING TIPS

- Have as much ventilation as possible – the more the better.
- Keep the fridge out of direct sunlight whenever possible
- Only open the fridge or freezer door when necessary
- Allow hot food to cool down before placing inside the fridge
- Defrost the fridge as soon as a thick (10mm) layer of ice forms
- Set the fridge to be only as cold as necessary

CLEANING

Wash the inside of your fridge with luke warm water and a mild soap. Never use abrasive or corrosive cleaning agents, steel wool or scouring sponges. A soft sponge, towel, or soft brush is recommended.

Always keep the inside of the fridge clean and dry. Remove any condensate water or ice which gathers in or near the tray under the freezer compartment.

Be careful when opening or closing the freezer door if ice has been allowed to accumulate in this area.

Keep the doors of the fridge ajar when the fridge is not in use, to allow fresh air to circulate inside the fridge compartment.

DEFROSTING

Defrosting needs to be carried out when the ice layer reaches a thickness of 5mm - 10mm.

Turn the fridge power off and move your food and beverages to another cool place. Do not use any objects to remove the ice or frost, it must be allowed to melt naturally. Once the ice has melted, dry the inside of the fridge and freezer compartment thoroughly.

REVERSING THE FRONT DOOR HINGES

The door hinges from the right side. To change the hinge side, simply unscrew the door hinges from the fridge cabinet, move to the other side and re-affix using the same screws. Detailed instructions as follows:

- Carefully remove the top, middle and bottom hinges and both doors.
- Affix bottom hinge to the preferred side of fridge cabinet. Only tighten screws finger tight.
- Move the bottom hinge pin to the other side of the hinge.
- Locate main door onto the bottom hinge.
- Affix middle hinge to fridge cabinet. Only tighten screws finger tight.
- Locate freezer door onto the middle hinge.
- Affix top hinge to fridge cabinet. Only tighten screws finger tight.
- Align the freezer door until it is square with the fridge cabinet.
- Tighten top hinge screws fully.
- Align the main door until it is square with the fridge cabinet.
- Tighten bottom hinge screws fully.
- Tighten the middle hinge screws fully.
- With the doors closed, carefully apply moderate heat with a heat gun or hair dryer to the rubber seals one section at a time. Once warm and softened, the rubber will pull in towards the fridge cabinet and create a flush seal.
- If you are unsure at any stage, please call Bushman head office on (03) 9437 0737 for assistance.

TECHNICAL SPECIFICATIONS

	DC190-L	DC285-L
COMPRESSOR	Secop BD50	Secop BD50
VOLTAGE	12 V / 24 V DC	12 V / 24 V DC
REFRIGERANT	170g R134a	190g R134a
EXTERNAL DIMENSIONS (mm)	W 600 D 600 H 1380	W 600 D 700 H 1550
NETT WEIGHT	50 kg	62 kg

TROUBLE SHOOTING

VOLTAGE

The most common cause of an incorrectly functioning fridge is a lack of voltage.

Your fridge has built in battery protection and needs the following minimum voltage for the compressor to start (Cut-in) or stop (Cut-out).

Battery Protection Settings

VOLTAGE	CUT OUT	CUT IN
12 V	9.6 V	10.9 V
24 V	21.3 V	22.7 V

During fridge operation, a load is placed on your power supply which can cause your voltage level to drop by as much as 2 V. This occurs especially if the wiring is insufficient or if there is a loose connection somewhere.

If this occurs, your fridge may exhibit a continuous start / stop / start pattern. If so, have your wiring checked by an electrician when under a 10 A load.

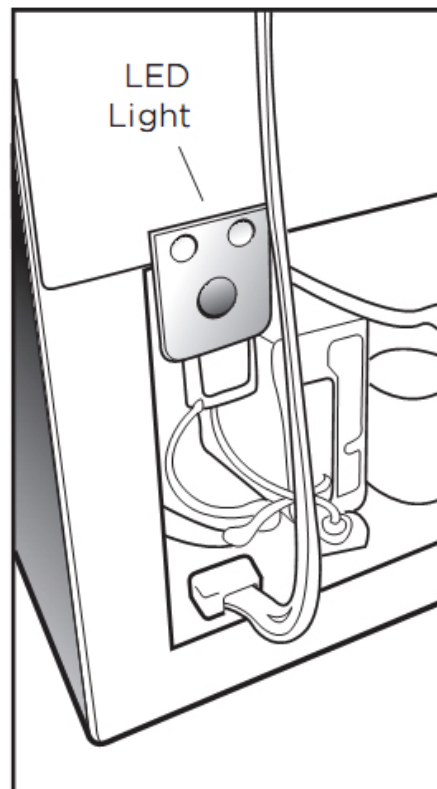
GENERAL TROUBLESHOOTING

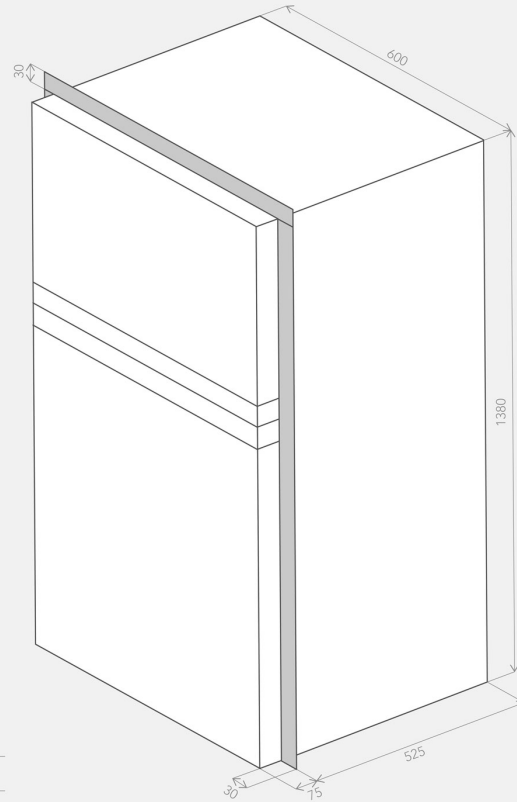
Check:

- Correct power supply
- The built-in fuse
- The voltage to the compressor is still 12V when a 10 A load is placed on the wire
- The fan is operating
- The polarity of the connections are correct
- There is adequate ventilation to the rear of the fridge
- The fuse is not blown
- You have given the fridge enough time to cool down

Operational errors

Error code or LED flashes	Error type
	Can be read out in the software TOOL4COOL®
6	Thermostat failure (If the NTC thermistor is short-circuit or has no connection).
5	Thermal cut-out of electronic unit (If the refrigeration system has been too heavily loaded, or if the ambient temperature is high, the electronic unit will run too hot).
4	Minimum motor speed error (If the refrigeration system is too heavily loaded, the motor cannot maintain minimum speed at approximately 1,850 rpm).
3	Motor start error (The rotor is blocked or the differential pressure in the refrigeration system is too high (>5 bar)).
2	Too many start attempts or fan over current (Too many compressor or fan starts in short time or fan current higher than 0.5A _{avg}).
1	Battery protection cut-out (The voltage is outside the cut-out setting).



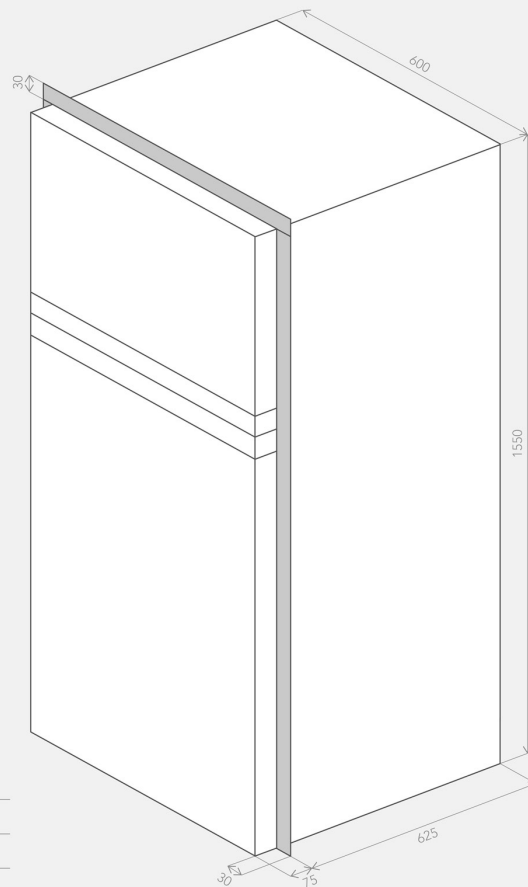


MODEL: DC190-L

■ MOUNTING KIT

■ COOLING UNIT

SCALE: (MM)



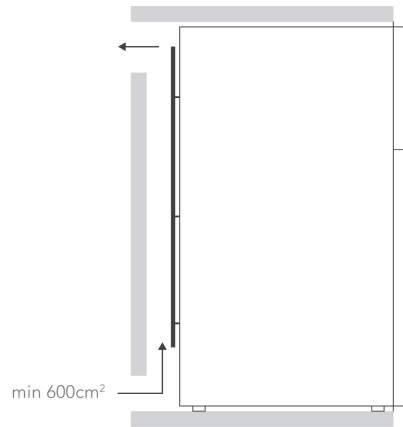
MODEL: DC285-L

■ MOUNTING KIT

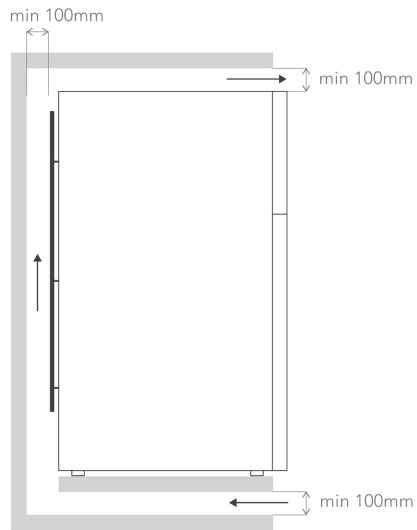
■ COOLING UNIT

SCALE: (MM)

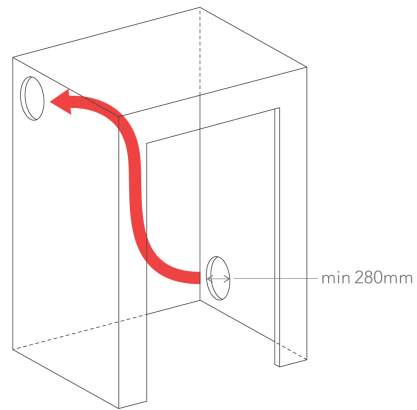
**VENTILATION
OPTIONS DC-L**



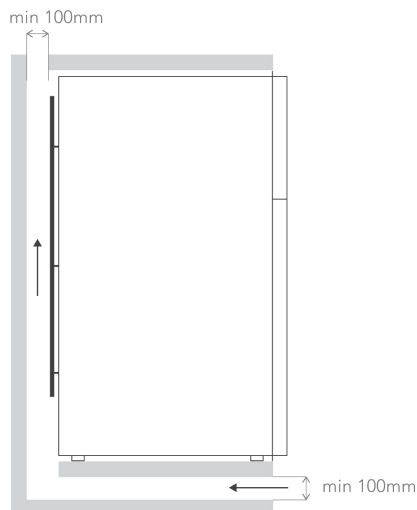
▲ Exterior Ventilation



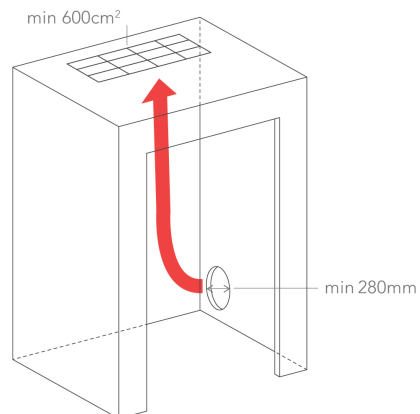
▲ Interior Ventilation Option 1



▲ Interior Ventilation Option 2



▲ Interior Ventilation Option 3



▲ Interior Ventilation Option 4



WARRANTY

DP Refrigeration Pty Ltd trading as Bushman Fridges ABN 94 615 295 255 (Bushman) warrants, to the original owner, that this product is free from defects in workmanship and material for a period of three (3) years from the purchase date. This warranty shall be limited to repairing or replacing, at Bushman's option and without charge to the purchaser, defective components. All warranty work shall be performed at a Bushman approved facility. Shipping charges related to returning the product to the Bushman facility are not covered under this warranty. However, this warranty covers shipping charges related to returning the repaired product to the customer. This warranty does not apply to damage or wear to the product caused by accident, abuse, misuse, neglect, unauthorized alteration or repair, or if the product was not used in accordance with Bushman printed installation and operating instructions. To obtain service under this warranty, the defective product must be returned to Bushman together with a copy of the original purchase receipt. Any product repaired or replaced under this warranty will be warranted for the balance of the warranty period with respect to the original purchased product. Bushman is not liable for any incidental or consequential loss or damages whatsoever as a result of use or misuse of this product. Any statutory warranty also applies.

For after sales service and enquiries, please contact:

BUSHMAN FRIDGES
3 Contour Close Research VIC 3095
(03) 9437 0737
info@bushman.com.au
