



Grade 1 Deadbolts

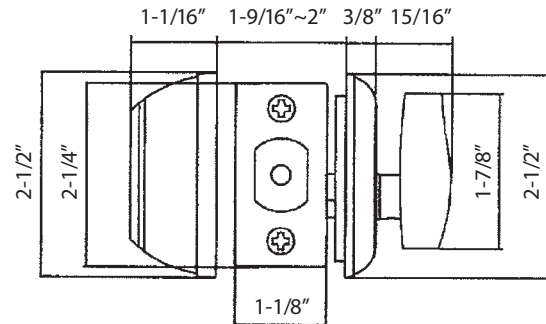
ANSI Grade 1 LM Series

**LIFETIME
WARRANTY**

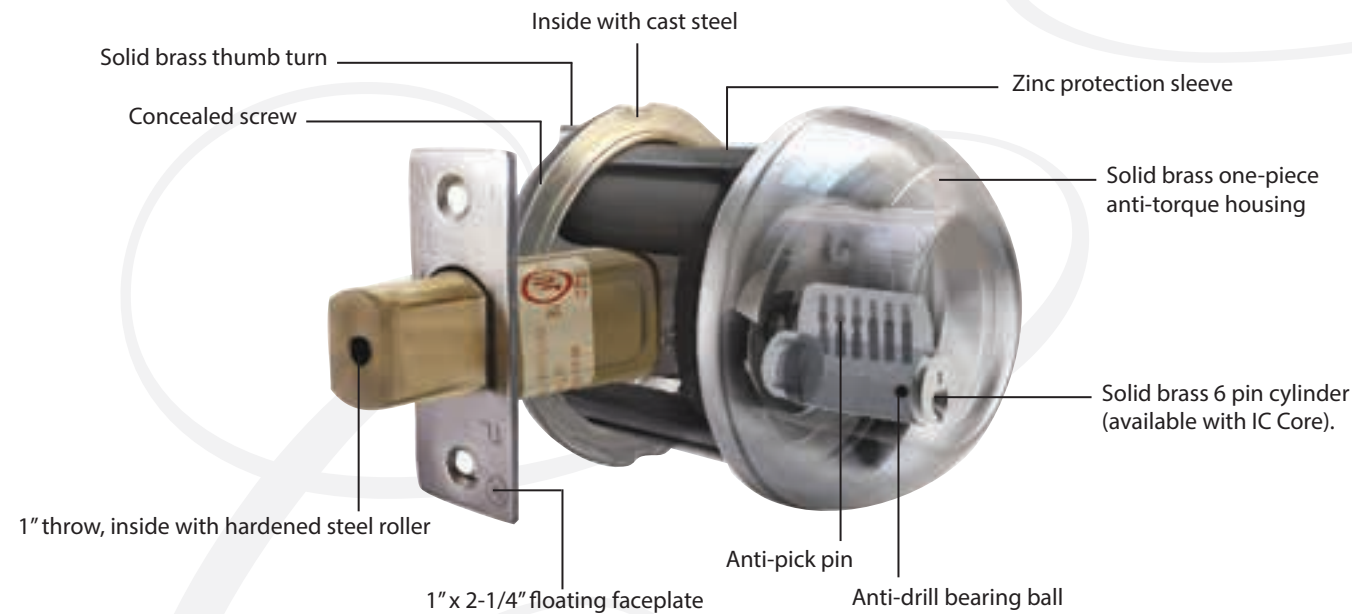
UL LISTED Conforms with BHMA/ANSI A156.5. Meets UL 3-Hour Fire Rating. UL File No. R13776.

Grade 1 DEADBOLT (LM)

Shown in Dull Chrome (US26D)



LM SERIES / Fits door thickness 1-9/16" to 2" (40mm – 51mm)



Grade 2 Deadbolts

ANSI Grade 2 LU Series

**LIFETIME
WARRANTY**

UL LISTED Conforms with BHMA/ANSI A156.5. Meets UL 3-Hour Fire Rating. UL File No. R13776.

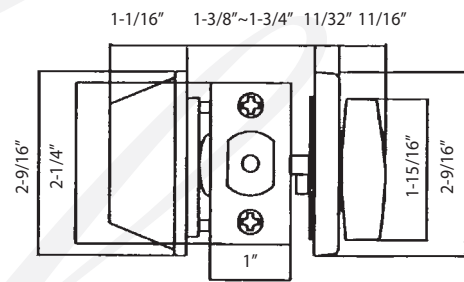
Grade 2 Deadbolt (LU)

Shown in Oil Rubbed Bronze (US10B)

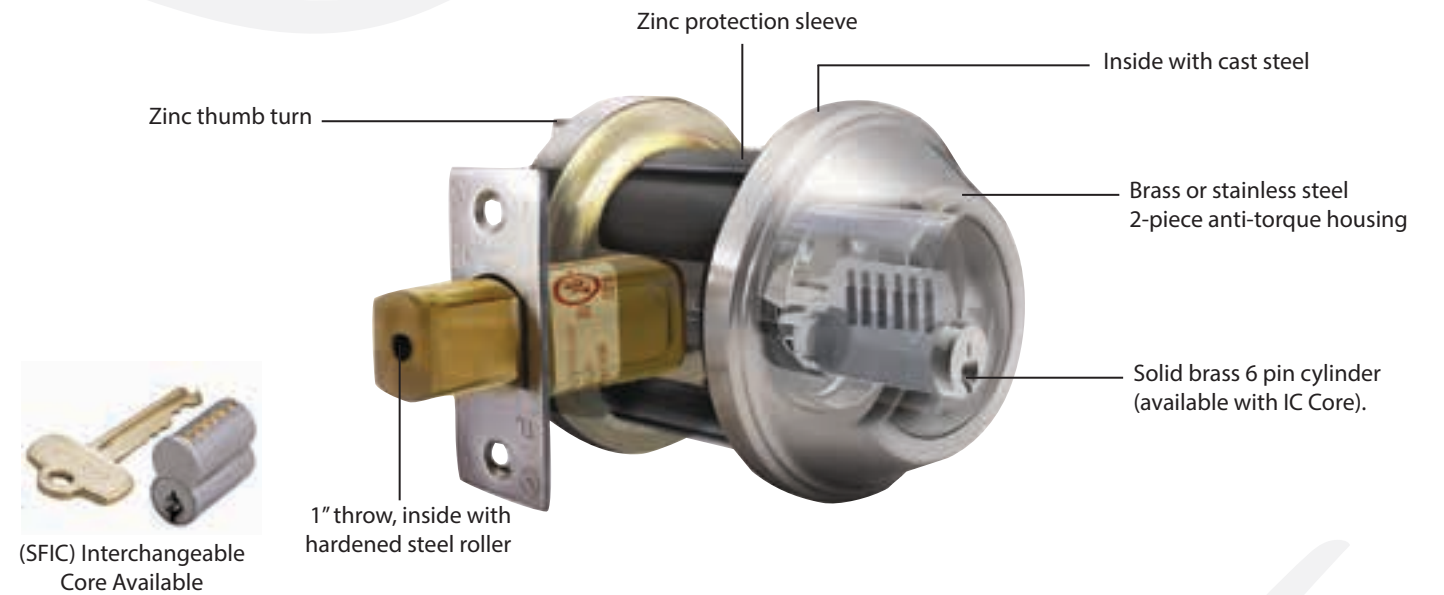


Grade 2 (SFIC) Interchangeable Core Deadbolt (LU-RC)

Shown in Brushed Stainless Steel (US32D)



LU SERIES / Fits door thickness 1-3/8" to 1-3/4" (35mm – 45mm)



PRODUCT FEATURES

- Free Spinning Cylinder Collar.
- Hardened Steel Rod Latch Insert.
- Fast and Easy Installation.
- Adjustable backset.
- Protection sleeve to resist wrenching or prying.
- Non Handed.

FINISHES AVAILABLE

BHMA SYMBOL	US CODE	DESCRIPTION
613	10B	Oil Rubbed Bronze
626	26D	Dull Chrome
605	3	Polished Brass (LU only)
630	32D	Brushed Stainless

PRODUCT SPECIFICATIONS

APPLICATIONS: For offices, schools, hospitals, apartments, hotel/motels, and other public buildings.

DOOR THICKNESS: 1-3/8" ~ 2" door thickness (35 ~ 45 mm).

LM SERIES BACKSET: 2-3/4" standard, 2-3/8" optional.

LU SERIES BACKSET: Adjustable 2-3/8" or 2-3/4" standard.

BACKSET: 2-3/4" standard, 2-3/8" optional.

STRIKE: 1-1/8" x 2-3/4" strike standard. Strike box and reinforcing plate with 3" wood screws included.

LATCHBOLT: Full 1" throw brass or stainless steel latch bolt with hardened steel rod insert. Meets UL 3-Hour fire rating. UL File No. R13776

EXPOSED TRIM: Wrought brass or stainless steel.

KEYING: Schlage C 6-Pin Keyway. KWI available. Custom keying available upon request.

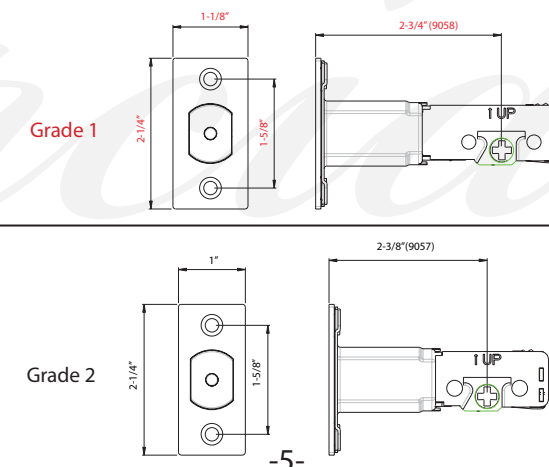
INTERCHANGEABLE CORE: Optional small-format 6-Pin or 7-Pin available.

ANSI & FEDERAL STANDARDS: Meets & exceeds requirement of BHMA/ANSI A156.5 Series, UL10B/UL437.

LATCHES



DIMENSIONS



STRIKE

