

West Houston Quilter's Guild 2023 Quilt Show



March 3–4, 2023
10:00 a.m.–4:00 p.m.

Richard E. Berry Educational Support Center
8877 Barker Cypress Rd., Cypress, TX 77433

**WELCOME TO THE
“FLIGHTS OF FANCY”
2023 QUILT SHOW**

The West Houston Quilter’s Guild members, the Board of Directors, the Quilt Show Committee, and our vendors and donors welcome you to our biennial quilt show, “Flights of Fancy.” The Guild celebrated its 30th anniversary in February and this year will be our 12th quilt show.

We hope that you enjoy looking at all the beautiful quilts, wall hangings, challenges and of course shopping with our many vendors who offer a variety of items for sale.

While you are here, take time to stop by our beautiful applique Donation quilt and purchase a bundle of tickets. Then go see our display in the Basket Bonanza and purchase a few tickets for a chance to win a delightful basket of goodies. Your next stop should be our Boutique. Everything for sale in the Boutique was made and donated by members of the guild. Then around the corner is our Grandmother’s Attic. If you are looking for gentle used quilting “stuff”, you have come to the right place.

A gigantic THANK YOU goes to the Quilt Show Committee members who have worked over the past two years to bring you our best show ever, to all the guild members who entered quilts for your enjoyment, to our judges who awarded ribbons to some outstanding quilts, and to all the members and their families who worked so hard with the setup/take down, worked the show in any capacity and contributed to the Boutique/Basket Bonanza/Grandmother’s Attic. You have made this show a huge success.

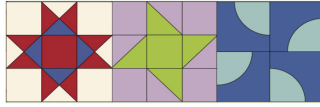
We hope you enjoyed our show and if interested in learning more about our Guild, go to whqg.org and consider joining us. Again, thank you for coming to our show.

*Nita Beard
2023 Quilt Show Chairman*



TABLE OF CONTENTS

Quilt Show Schedule	1
West Houston Quilter’s Guild	2
Show Layout – Atrium	3
Quilt Show Layout – Conference Center	4
Show Features	6
Quilt Show Etiquette	7
Quilt Awards	8
Viewers’ Choice Ballots.	8
Legacy Ribbon Award	9
Show Judges	10
Explanation of Quilt Descriptions	10
Quilt Show Entries.	11
Our Valued Vendors.	24
Our Terrific Donors	24
WHQG 2023 Board of Directors.	25
Quilt Show Committee	26



QUILT SHOW SCHEDULE

Friday, March 3, 2023

10:00 a.m. – 4:00 p.m.

Quilt Exhibits
Vendors
Guild Boutique
Basket Bonanza
Silent Auction
Grandmother's Attic
Door Prize Drawings

Saturday, March 4, 2023

9:00 a.m. – 4:00 p.m.

Quilt Exhibits
Vendors
Guild Boutique
Basket Bonanza
Silent Auction
Grandmother's Attic
Door Prize Drawings

3:30 p.m.– 4:00 p.m.

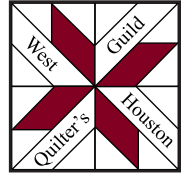
Viewers Choice Award Announced
Donation Quilt Winner Drawing
Silent Auction Winners Announced
Basket Bonanza Drawing Winners

You know you're a quilter if... You plan your
vacation around a quilt show (or two).

WEST HOUSTON QUILTER'S GUILD

Our History

The West Houston Quilter's Guild is a non-profit organization founded in 1993 with the purpose of developing and nurturing appreciation for the art of quilting and its history. Simply put, we are a group of people who love quilts!



The Meetings – Our meetings are held at Steve Radack Community Center, 18650 Clay Rd., Houston, TX 77084, on the third Wednesday of every month, beginning at 6:45 p.m. with social time from 6:15 p.m.–6:45 p.m. Each month members share their latest accomplishments with “Show and Tell.” We have a short business meeting before enjoying our speaker. Past speakers have included Sue Nickels, Cynthia England, Brenda Jeschke, Bonnie Hunter, and Paula Barnes. Some months we are also able to offer a separate workshop with that month’s speaker.

We design our programs to be attractive and educational for all levels of quilters, from beginner to experienced. Every meeting provides new tips and/or inspiration.

Community Service – Because of the generosity of our members, the Community Service Committee has been able over the past several years to donate and/or distribute on an annual basis quilts to area nursing homes, stockings to Cypress Assistance Ministries, quilts and preemie blankets to the Project Linus program at Texas Children’s Hospital and other Medical Center hospital.

Disaster Relief Stockpile – In addition to the above charitable donations through our Community Service group, members contribute a bed-sized quilt to be “stockpiled” in case of a natural disaster in our state. Should a natural disaster hit a community within the borders of Texas, bed sized quilts in the “stockpile” will be shipped to the area as an immediate response to calls for aid. It is our privilege to support our communities through the gifting of quilts in a time when it feels as though all is lost.

Please join us! For more information about the guild, please visit our Website at www.whqg.org.

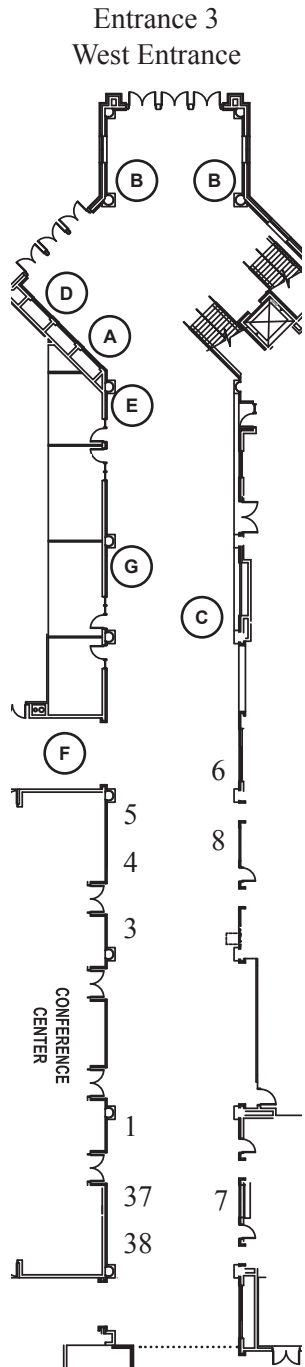
SHOW LAYOUT – ATRIUM

VENDOR LOCATIONS

<u>Vendor</u>	<u>Booth</u>
Bits of Glitz	1
Twisted Sisters Quilting	3
Beach Bags by Betty	4
Fiskur Leather	5
Handmade by Hart	6
You Never Know	7
Scissor Guy / Scentsy	8
Sew Much More Sewing Center	37-38

GUILD LOCATIONS

Admission Tickets	B
Basket Bonanza	C
Donation Quilt	E
Grandmothers Attic	F
Guild Boutique	G
Vendor Check-in	D
Volunteer Check-in	A



QUILT SHOW LAYOUT – CONFERENCE CENTER

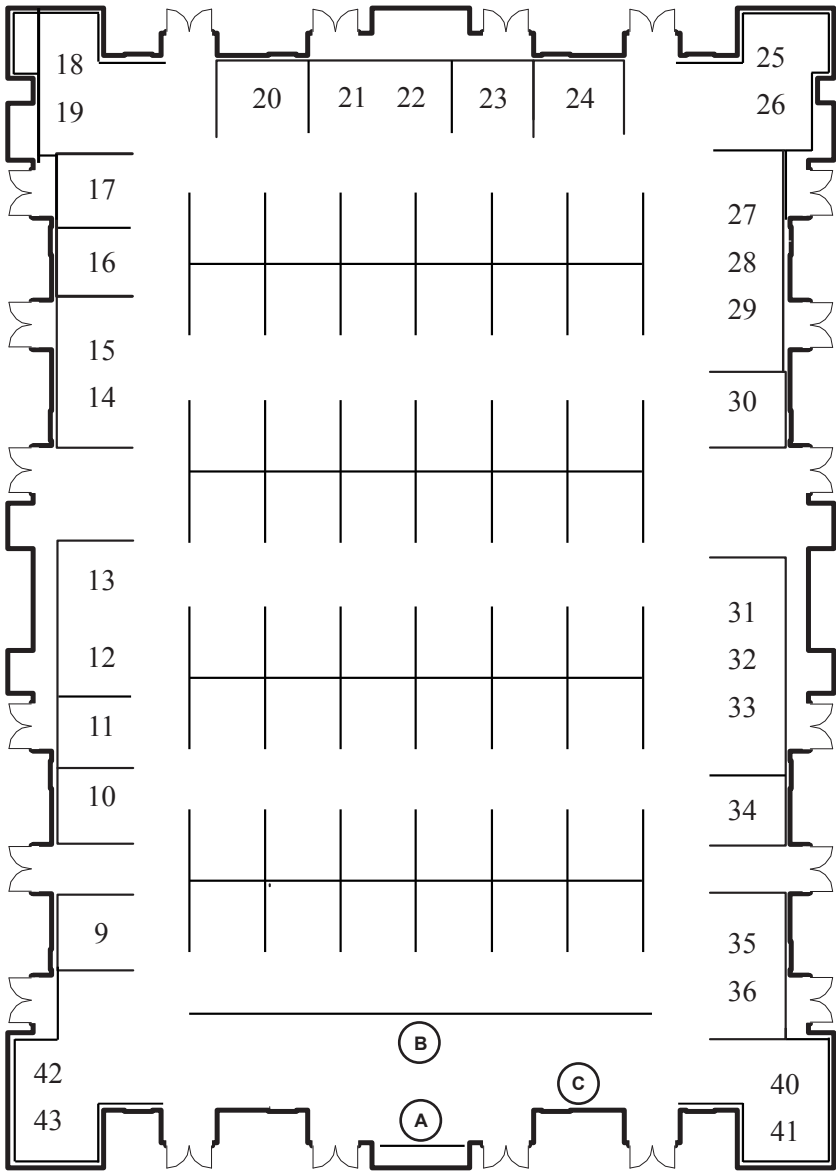
VENDOR LOCATIONS

<u>Vendor</u>	<u>Booth</u>	<u>Vendor</u>	<u>Booth</u>
Material Girls Cloth Doll Club 9	Good With Sugar23
Bolts 2 Binding	10	Pelican View Quilting Retreat House24
Designs by Tana	11	Snip and Pins	25-26
Sew Special Quilts.	12-13	TSC Designs	27-29
Katie B’s Quilt Shop	14-15	Material Girls Fabrics30
Virginia Davies Quilt Mysteries16	Cupcake Quilts.	31-32
Linda’s Art17	One Tribe34
Hummers Homestead Alpacas	18-19	Needleware Designs	35-36
Loft Supply LLC20	Whimsey Texas	40-41
Threaded Lines Quilt Shop	21-22	Designing with Strips ‘n Curves	42-43

GUILD LOCATIONS

Best of Show	A	Silent Auction	B
Door Prizes	C		

SHOW LAYOUT



Entrance to Exhibits
Atrium Vendors

SHOW FEATURES

Donation Quilt - “Hummingbirds and Flowers”

The approximately 90” x 90” quilt was appliquéd and pieced by members of the WHQG and quilted by Pam Biswas. The “Hummingbirds and Flowers” pattern is by Patricia Cox. Tickets are \$1.00 each or 6 for \$5.00. The winning ticket will be drawn on Saturday afternoon. You need not be present to win.



Door Prizes – Our generous vendors and quilt friends have donated a number of door prizes to our show. You received a set of tickets with your entry. Drop the duplicate in the Door Prize basket at the Door Prize booth. If your number is called, go to the Door Prize booth for your prize.

Basket Bonanza Drawing – For only \$1.00 you might win one of the wonderful prizes prepared by Guild members. Stop by the Basket Bonanza table in the atrium to purchase tickets, then drop your tickets in one of the cans to be eligible to win. You need not be present to win. The winning tickets will be drawn Saturday afternoon.

Guild Boutique – For your shopping pleasure, our outstanding market features beautiful handmade items by the generous members of the West Houston Quilter’s Guild and our guild associated bees. Come by our Guild Boutique—you’ll enjoy all the beautiful items our Guild members have made for you. You’ll be surprised as to the quality and variety of items we have for you to select from: project bags, pincushions, small purses, bowl protectors, and so much more.

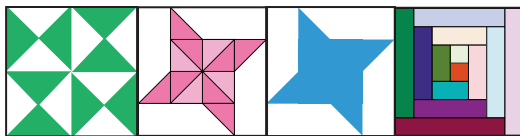
Silent Auction – The Silent Auction has beautiful items made and donated by members of the West Houston Quilter’s Guild. There are a quilts in various sizes including wall hangings and a table runner. There are lots of wonderful quilts for your selection. Whether you are looking for a modern quilt or one that’s more traditional, there is something for you.

Grandmother’s Attic – Grandmother decided that it was time to clean out her attic. She put many of her purchases in her attic then quickly forgot what she had there and would rebuy things (we quilters never do that) and would buy things that she never used. So, come by and see what you need. There is bound to be just what you’ve been looking for to make some beautiful quilts!

QUILT SHOW ETIQUETTE

The quilts in our show are all on loan—privately owned treasures that the exhibitors have agreed to publicly display for your pleasure. We ask that you follow a few rules to safeguard these treasures and to make the show an enjoyable experience.

- Do not touch the quilts, no matter how tempting. If you would like a closer look, please use the plastic glove given to you at the entrance. Natural oils, dirt, even acids found on people’s fingers may increase the deterioration of textile fabrics.
- Do not bring food or drinks into the quilt exhibition area. There is a concession area available for your enjoyment in the atrium.
- Control children at ALL times. Unsupervised children will be given a puppy to take home.
- No smoking.
- Photography is allowed in the exhibit area. Many of the quilts on display are true works of art and are original designs. Please honor that by getting permission before posting any photographs on the Web. Please get permission from individual vendors before photographing their products. Many have protective copyrights.
- Please “ooh” and “ahh” all you want; we do love to watch others enjoy our quilts.



QUILT AWARDS

Quilts are judged in a specific category. Awards include:

Awards for Merit – 1st, 2nd, and 3rd place winners selected by show judges

Best of Show – All three judges select the winner of this award

Judge's Choice – Each judge picks their favorite quilt

President's Choice – Selected by the president of the guild

Guild Challenge Award – Guild members vote for best challenge

Legacy Awards – Selected by honored individuals

Viewers' Choice – Show visitors vote for their favorite quilt. Votes are tallied and announced on the last day of the show.

VIEWERS' CHOICE BALLOTS

As you stroll through the show, admiring all of the wonderful quilts, we invite you to vote for your favorite entry. Ballots are available at the Admission table or inside your program. Only a numbered entry may be chosen. Please deposit your ballot in the container located at the Admissions table before you leave for the day.

The Viewers Choice Award will be announced on Saturday afternoon just prior to the close of the show.

LEGACY RIBBON AWARD

The WHQG sponsors Legacy Ribbons in our Show. Please look for these Ribbons hanging on quilts selected by the sponsors.

In Memorium

- Carolyn Cordes purchased by Nita Beard
- Judy Mobley purchased by Nita Beard.
- Shirley Chriss purchased by Sharon Dixon
- Ann Ammons purchased by Chris Friesen
- Barb Knoblock purchased by Amy Matthias
- Bridgette Lee Amonsens purchased by The Nifty Needlers Bee

In Honor

- Celeste Fritz purchased by The Cut Ups Bee
- Jean Fleming purchased by Margaret Izard
- Phyllis Rucker purchased by Alice Sadeghpour
- Georgia Johnson purchased by Pam, Sherri and Pat Hensley
- Jean Fleming purchased by Juli Fleming
- Patty Haeefele purchased by High Sierra Management

Thanks to the purchasers of Legacy Ribbons for your support of the WHQG and the 2023 quilt show.

Please look for Legacy Ribbons hanging on the quilts selected by their sponsor.

The Quilt Show Committee would like to thank the members of the West Houston Quilter's Guild for their support and contributions in making this show a success.

SHOW JUDGES

We are pleased this year to have as our quilt show judges, Ginny Eckley, Becky Navarro, and Lisa Earlandson.

The West Houston Quilter's Guild would like
to thank the Tri-County Quilt Guild for
providing our judging scribes.

EXPLANATION OF QUILT DESCRIPTIONS

Master/Professional: Quilt entrant earns money from quilting (creating patterns, writing books, teaching, making or quilting quilts for others for pay).

Artisan: Quilting is a hobby and no money is earned from it.

Bed size: A quilt is intended to be used on a bed or cover a person (lap or throws). Not intended to be displayed as art/wall hanging/home décor item.

Small: Any quilt with every side less than 75".

Large: Any quilt which is 75" or larger on any side.

One person: The same person who pieced the quilt is also the quilter.

Two person: The quilter is different from the person who pieced the quilt.

QUILT SHOW ENTRIES

Legend: Category – Quilt Number – Division

Division 1: Professional (P)

101 Applique

- 101 - 1 - 1P; Happy Flowers
Pieced by: Kris Hoffman; Quilted by: Kris Hoffman
- 101 - 2 - 1P; Garden of Dreams
Pieced by: Julie Crowell; Quilted by: Julie Crowell

102 Wall quilt

- 102 - 1 - 1P; Spanish Tiles
Pieced by: Sharon Dixon; Quilted by: Sharon Dixon
- 102 - 2 - 1P; Ode to Shirley
Pieced by: Sharon Dixon; Quilted by: Sharon Dixon
- 102 - 3 - 1P; My Original GPS
Pieced by: Barbara Wenker; Quilted by: Barbara Wenker
- 102 - 4 - 1P; Home Is Where I Built It
Pieced by: Julie Crowell; Quilted by: Julie Crowell
- 102 - 5 - 1P; Geek Out
Pieced by: Jennifer Rowles; Quilted by: Jennifer Rowles
- 102 - 6 - 1P; My Summer Vacation-Paris Wanderlust
Pieced by: Kathy Bieltz; Quilted by: Kathy Bieltz

103 Large Pieced

- 103 - 1 - 1P; Pinwheel Churn Dash
Pieced by: Sharon Dixon; Quilted by: Sharon Dixon
- 103 - 2 - 1P; Log Cabin
Pieced by: Sharon Dixon; Quilted by: Sharon Dixon
- 103 - 3 - 1P; Birds on the Wind
Pieced by: Barbara Wenker; Quilted by: Barbara Wenker
- 103 - 4 - 1P; Flourish
Pieced by: Barbara Wenker; Quilted by: Barbara Wenker
- 103 - 5 - 1P; Tennessee Waltz
Pieced by: Betty Hankinson; Quilted by: Betty Hankinson
- 103 - 6 - 1P; Long Ago
Pieced by: Betty Hankinson; Quilted by: Betty Hankinson

103 - 7 - 1P; The One That Was Made for Rachel
Pieced by: Jennifer Rowles; Quilted by: Jennifer Rowles

104 Modern

104 - 1 - 1P; Infinity Patches
Pieced by: Jennifer Rowles; Quilted by: Jennifer Rowles

104 - 2 - 1P; Subway
Pieced by: Julie Crowell; Quilted by: Julie Crowell

DIVISION 1: ARTISAN (A)

200 Hand quilted

200 - 1 - 1A; Helen's Flower Garden
Pieced by: Karen Breneman; Quilted by: Karen Breneman

200 - 2 - 1A; Garden Impressions
Pieced by: Sherilyn Jackson; Quilted by: Cherilyn Jackson

200 - 3 - 1A; Baby Doll's Quilt
Pieced by: Gail Brassler; Quilted by: Gail Brassler

202 Wall quilt, 1 person

202 - 1 - 1A; Lone Starburst
Pieced by: Nancy Higgs; Quilted by: Nancy Higgs

202 - 2 - 1A; Odyssey with Friends
Pieced by: Teresa Beautz; Quilted by: Teresa Beautz

202 - 3 - 1A; Pincushion Quilt
Pieced by: Cindy Gaa; Quilted by: Cindy Gaa

202 - 4 - 1A; Self Portrait
Pieced by: Nasreen Saeedi; Quilted by: Nasreen Saeedi

202 - 5 - 1A; Stone Portal
Pieced by: Nasreen Saeedi; Quilted by: Nasreen Saeedi

202 - 6 - 1A; Pinkerton Flamingo
Pieced by: Lynn Ellis; Quilted by: Lynn Ellis

202 - 7 - 1A; Wedding Signature Quilt
Pieced by: Lynn Ellis; Quilted by: Lynn Ellis

202 - 8 - 1A; Down Home Blues
Pieced by: Marcia Karns; Quilted by: Marcia Karns

202 - 9 - 1A; Tau
Pieced by: Laura Bryant; Quilted by: Laura Bryant

202 - 10 - 1A; La Pina
Pieced by: Connie Bihner; Quilted by: Connie Bihner

202 - 11 - 1A; Falling Leaves
Pieced by: Gail Brassler; Quilted by: Gail Brassler

203 Wall quilt, 2 person

203 - 1 - 1A; My 9-Patch Quilt
Pieced by: Judy Hendrickson; Quilted by: Lillie Hayes

203 - 2 - 1A; Stephanie's Flower Garden
Pieced by: Debbie Adami; Quilted by: Jenn Saxena

203 - 3 - 1A; Leaning Right
Pieced by: Kendra Lema; Quilted by: Cheryl Degan

203 - 4 - 1A; Modern Trends Into Traditional
Pieced by: Alice Sadeghpour; Quilted by: Ellen Happy Phillips

203 - 5 - 1A; Jacob's Ladder
Pieced by: Linda Dutchak; Quilted by: Sharon Dixon

203 - 6 - 1A; Quarantone Quilt
Pieced by: Linda Dutchak; Quilted by: Sharon Dixon

203 - 7 - 1A; Twinkle Star
Pieced by: Karen Brauner; Quilted by: Lisa Renfro

203 - 8 - 1A; A Klimt for Pam
Pieced by: Celeste Fritz; Quilted by: Lillie Hays

203 - 9 - 1A; My Renoir
Pieced by: Celeste Fritz; Quilted by: Kris Hoffman

203 - 10 - 1A; Crimson Poppy
Pieced by: Patricia Cook; Quilted by: Jane Plisga

203 - 11 - 1A; Ode to Mary E
Pieced by: Celeste McLaughlin; Quilted by: Sharon Dixon

203 - 12 - 1A; Crossing a Bar
Pieced by: Celeste McLaughlin; Quilted by: Christine Anderson

203 - 13 - 1A; Spin Out in Blue
Pieced by: Patricia Cook; Quilted by: Jenn Saxena

203 - 14 - 1A; Bubbles
Pieced by: Jean Fleming; Quilted by: Denise Green

203 - 15 - 1A; Grunge in the Sky
Pieced by: Jean Fleming; Quilted by: Denise Green

203 - 16 - 1A; Stars In Flight
Pieced by: Anne Forrest; Quilted by: Lillie Hays

203 - 17 - 1A; My VanGogh
Pieced by: Celeste Fritz; Quilted by: Jane Plisga

204 Modern

- 204 - 1 - 1A; Arrowdynamic
Pieced by: Joy Denk; Quilted by: Jane Plisga
- 204 - 2 - 1A; Toboggan
Pieced by: Joy Denk; Quilted by: Jane Plisga
- 204 - 3 - 1A; Queen of Hearts
Pieced by: Alice Sadeghpour; Quilted by: Jenn Saxena
- 204 - 4 - 1A; Back Track
Pieced by: Gail Snyder; Quilted by: Betty Hankinson

205 Large Pieced, 1 person

- 205 - 1 - 1A; Just Tulips
Pieced by: Deborah Huebel; Quilted by: Deborah Huebel
- 205 - 2 - 1A; Windows
Pieced by: Teresa Beautz; Quilted by: Teresa Beautz
- 205 - 3 - 1A; Spa Day
Pieced by: Claudia Duke; Quilted by: Claudia Duke
- 205 - 4 - 1A; I Spy
Pieced by: Elizabeth Meservey; Quilted by: Elizabeth Meservey
- 205 - 5 - 1A; Betty's Baskets
Pieced by: Kathy Johnson; Quilted by: Kathy Johnson
- 205 - 6 - 1A; Strip Tease
Pieced by: Connie Bihner; Quilted by: Connie Bihner
- 205 - 7 - 1A; Un-B-Weavable
Pieced by: Connie Bihner; Quilted by: Connie Bihner

206 A Large Pieced, 2 persons

- 206 A - 2 - 1A; Brightly Colored Love Links
Pieced by: Debbie Adami; Quilted by: Sharon Dixon
- 206 A - 5 - 1A; Colorful Clamshells
Pieced by: Jean Fleming; Quilted by: Denise Green
- 206 A - 7 - 1A; Diamonds for Madison
Pieced by: Benedicte Richard; Quilted by: Jane Plisga
- 206 A - 8 - 1A; #We Are SJ!
Pieced by: Benedicte Richard; Quilted by: Sharon Dixon
- 206 A - 9 - 1A; "Stand Tall" in Red
Pieced by: Lavita Golightly; Quilted by: Lillie Hays
- 206 A - 11 - 1A; 4-Patch Posies
Pieced by: Joan Rondeau; Quilted by: Kris Hoffman

- 206 A - 14 - 1A; Band Together
Pieced by: Joan Rondeau; Quilted by: Sharon Dixon
- 206 A - 15 - 1A; Townhouses
Pieced by: Joan Rondeau; Quilted by: Sharon Dixon
- 206 A - 20 - 1A; Strawberry Fields
Pieced by: Mary Dinkel; Quilted by: Kris Hoffman
- 206 A - 22 - 1A; Cowboy Quilt
Pieced by: Janet Musgrove; Quilted by: Kris Hoffman
- 206 A - 25 - 1A; Prismatic Star Offset
Pieced by: Patricia Cook; Quilted by: Jenn Saxena
- 206 A - 26 - 1A; 4th of July
Pieced by: Patty Haefele; Quilted by: Denise Green
- 206 A - 27 - 1A; Paradise in Blooms
Pieced by: Patty Haefele; Quilted by: Denise Green

206 B Large Pieced, 2 persons

- 206 B - 1 - 1A; Batik Coral Reef
Pieced by: Debbie Adami; Quilted by: Jenn Saxena
- 206 B - 3 - 1A; Alaskan Spring
Pieced by: Cindy Gaa; Quilted by: Tammy Minnich
- 206 B - 4 - 1A; Celtic Wedding Knots
Pieced by: Cindy Gaa; Quilted by: Tammy Minnich
- 206 B - 6 - 1A; Northstar
Pieced by: Carol Kocurek; Quilted by: Judy Bateman
- 206 B - 10 - 1A; Chocolate Mint
Pieced by: Tracy Dyer; Quilted by: Barbara Terry
- 206 B - 12 - 1A; Bricks & Sticks
Pieced by: Joan Rondeau; Quilted by: Sharon Dixon
- 206 B - 13 - 1A; A Different Path
Pieced by: Joan Rondeau; Quilted by: Sharon Dixon
- 206 B - 16 - 1A; Carolina Chain #6
Pieced by: Rhonda Onwere; Quilted by: Melissa Kaye
- 206 B - 17 - 1A; Urban Cabin of Batiks
Pieced by: Nita Beard; Quilted by: Betty Hankinson
- 206 B - 18 - 1A; Scrappy Batik
Pieced by: Nita Beard; Quilted by: Betty Hankinson
- 206 B - 19 - 1A; My Blue Heaven
Pieced by: Nita Beard; Quilted by: Betty Hankinson

206 B - 21 - 1A; Blue Lanterns

Pieced by: Mary Dinkel; Quilted by: Sharon Dixon

206 B - 23 - 1A; Carribbean Sea

Pieced by: Gail Snyder; Quilted by: Betty Hankinson

206 B - 24 - 1A; Coral Reef

Pieced by: Patricia Cook; Quilted by: Jenn Saxena

207 First Time Entry

207 - 1 - 1A; Spools of Love

Pieced by: Kendra Lema; Quilted by: Cheryl Degan

207 - 2 - 1A; Crazy Log Cabin

Pieced by: Linda Dutchak; Quilted by: Sharon Dixon

207 - 3 - 1A; Leaves

Pieced by: Elizabeth Meservey; Quilted by: Elizabeth Meservey

207 - 4 - 1A; Rows of Hos

Pieced by: Janet Doing; Quilted by: Connie Bihner

207 - 5 - 1A; Gray Log Cabin

Pieced by: Nancye Thibodeau; Quilted by: Betty Hankinson

207 - 6 - 1A; Spring Weave

Pieced by: Cherilyn Jackson; Quilted by: Martha Posey

Division II: Open

301 Show Theme: Flights of Fancy

301 - 1 - 2; A Hummingbird's Flight

Pieced by: Alice Sadeghpour; Quilted by: Mary Jo Yackley

301 - 2 - 2; Stained Glass Humminbird

Pieced by: Kathy Clark; Quilted by: Kathy Clark

301 - 3 - 2; Bees

Pieced by: Elizabeth Meservey; Quilted by: Elizabeth Meservey

301 - 4 - 2; Take Flight

Pieced by: Bret Adams; Quilted by: Bret Adams

302 Holiday Theme

302 - 1 - 2; Strip Ribbons

Pieced by: Carol Kocurek; Quilted by: Judy Bateman

302 - 2 - 2; The Night Before Christmas

Pieced by: Lavita Golightly; Quilted by: Lavita Golightly

302 - 3 - 2; Spooky

Pieced by: Kris Hoffman; Quilted by: Kris Hoffman

- 302 - 4 - 2; Christmas Cactus
Pieced by: Patty Haefele; Quilted by: Denise Green
- 302 - 5 - 2; Spooky Town
Pieced by: Sandra Seavey; Quilted by: Brookside Farm Quilts
- 302 - 6 - 2; Christmas Borders
Pieced by: Patty Haefele; Quilted by: Denise Green
- 302 - 7 - 2; Scary Scarlett
Pieced by: Jean Fleming; Quilted by: Denise Green
- 302 - 8 - 2; My 4th of July Quilt
Pieced by: Nita Beard; Quilted by: Betty Hankinson
- 302 - 9 - 2; Magic of Winter
Pieced by: Pam Heine; Quilted by: Linda Beiswanger
- 302 - 10 - 2; Christmas Tree Skirt
Pieced by: Linda Dutchak; Quilted by: Linda Dutchak
- 302 - 11 - 2; Christmas Countdown
Pieced by: Julie Crowell; Quilted by: Julie Crowell
- 302 - 12 - 2; Christmas In a Log Cabin
Pieced by: Connie Bihner; Quilted by: Connie Bihner

303 Scrap quilt

- 303 - 1 - 2; Scrap Happy
Pieced by: Joy Denk; Quilted by: Jane Plisga
- 303 - 2 - 2; Stash Be Gone - at least a little
Pieced by: Cindy Gaa; Quilted by: Kris Hoffman
- 303 - 3 - 2; Claridge Park Lane
Pieced by: Kendra Lema; Quilted by: Cheryl Degan
- 303 - 4 - 2; Montana Scrappy
Pieced by: Carol Kocurek; Quilted by: Connie Bihner
- 303 - 5 - 2; Lots of Squares
Pieced by: Marcia Karns; Quilted by: Marcia Karns
- 303 - 6 - 2; Quilt Is Beautiful
Pieced by: Julie Crowell; Quilted by: Julie Crowell
- 303 - 7 - 2; Scrap Happy!
Pieced by: Celeste McLaughlin; Quilted by: Celeste McLaughlin
- 303 - 8 - 2; Claudia's Cheddarback
Pieced by: Claudia Duke; Quilted by: Claudia Duke
- 303 - 9 - 2; Betcha Can't Sew Just One!
Pieced by: Marcia Karns; Quilted by: Marcia Karns

- 303 - 10 - 2; Unity Mystery
Pieced by: Pam Heine; Quilted by: Linda Beiswanger
- 303 - 11 - 2; Metro Rings
Pieced by: Connie Bihner; Quilted by: Connie Bihner
- 303 - 12 - 2; Scrappy Daisy
Pieced by: Gail Snyder; Quilted by: Gail Snyder
- 303 - 13 - 2; Colorful Stars
Pieced by: Gail Snyder; Quilted by: Gail Snyder
- 303 - 14 - 2; Using Up Your Scraps
Pieced by: Nita Beard; Quilted by: Betty Baker

304 Miniature

- 304 - 1 - 2; Tiny Town
Pieced by: Carol Kocurek; Quilted by: Carol Kocurek
- 304 - 2 - 2; French Vineyard
Pieced by: Nasreen Saeedi; Quilted by: Nasreen Saeedi
- 304 - 3 - 2; Blooming Flower
Pieced by: Nasreen Saeedi; Quilted by: Nasreen Saeedi
- 304 - 4 - 2; The Little Red Schoolhouse
Pieced by: Jean Fleming; Quilted by: Jean Fleming

305 Other technique

- 305 - 1 - 2; Batik Butterflies
Pieced by: Nasreen Saeedi; Quilted by: Ellen Happy Phillips
- 305 - 2 - 2; Dreaming Orange
Pieced by: Jean Fleming; Quilted by: Lillie Hays

306 Art

- 306 - 1 - 2; Handpainted Batik Leaf
Pieced by: Nasreen Saeedi; Quilted by: Ellen Happy Phillips
- 306 - 2 - 2; Colorful Explosion
Pieced by: Nasreen Saeedi; Quilted by: Ellen Happy Phillips
- 306 - 3 - 2; Beyond the Aurora - Double Vision
Pieced by: Kathy Bieltz; Quilted by: Kathy Bieltz
- 306 - 4 - 2; Regenerate
Pieced by: Laura Bryant; Quilted by: Laura Bryant
- 306 - 5 - 2; Doodle Shapes
Pieced by: Laura Bryant; Quilted by: Laura Bryant

307 Group/Friendship

- 307 - 1 - 2; The Blessing Box Christmas Tree
Pieced by: Judith Washburn; Quilted by: Judith Washburn
- 307 - 2 - 2; Stars of the Rainbow
Pieced by: Judy Hendrickson; Quilted by: Judith Washburn
- 307 - 3 - 2; Friendship Quilt
Pieced by: Nasreen Saeedi; Quilted by: Nasreen Saeedi
- 307 - 4 - 2; Christmas Fantasy
Pieced by: Lillie Hays; Quilted by: Lillie Hays
- 307 - 5 - 2; Backyard Eden in the Time of Covid
Pieced by: Lavita Golightly; Quilted by: Lillie Hays
- 307 - 6 - 2; With Help From My Friends
Pieced by: Joan Rondeau; Quilted by: Sharon Dixon
- 307 - 7 - 2; Red & White All Over
Pieced by: Nita Beard; Quilted by: Betty Hankinson
- 307 - 8 - 2; What a Sensation!
Pieced by: Celeste Fritz; Quilted by: Lillie Hays
- 307 - 9 - 2; Celebration!
Pieced by: Marian Stange; Quilted by: Sharon Dixon
- 307 - 10 - 2; My Dog's a Wiener!
Pieced by: Amy Matthias; Quilted by: Amy Matthias

308 Guild Challenge: Dresden Plate

- 308 - 1 - 2; Blue Dresdens
Pieced by: Jean Ann Bryant; Quilted by: Jean Ann Bryant
- 308 - 2 - 2; Dresdens and Barn Blocks
Pieced by: Debbie Adami; Quilted by: Dena Rosenberg
- 308 - 3 - 2; Windswept
Pieced by: Sharon Lucarelli; Quilted by: Betty Hankinson
- 308 - 4 - 2; 1902 Redux
Pieced by: Lavita Golightly; Quilted by: Lavita Golightly & Maudie Coffee
- 308 - 5 - 2; Christmas Dresden Houses
Pieced by: Lynn Ellis; Quilted by: Lynn Ellis

If you would like to see the back of the quilt, please use the plastic gloves that are available to keep body oils from soiling the quilt.

- 308 - 6 - 2; Micro Mini Dresden Tree
Pieced by: Linda Dutchak; Quilted by: Linda Dutchak
- 308 - 7 - 2; Dresdens & Circles
Pieced by: Patricia Cook; Quilted by: Jane Plisga
- 308 - 8 - 2; Astros Dresdens
Pieced by: Sandra Seavey; Quilted by: Brookside Farm Quilts
- 308 - 9 - 2; Floating Dresdens
Pieced by: Linda Grupa; Quilted by: Linda Grupa
- 308 - 10 - 2; Seven Ringie Dingies
Pieced by: Chris Friesen; Quilted by: Chris Friesen
- 308 - 11 - 2; Alpine Village
Pieced by: Kathy Bieltz; Quilted by: Kathy Bieltz

309 Challenge - Bees or Other

3091 - Katy Rotary Club Bee

- 3091 - 1 - 2; Hearts & Flowers
Pieced by: Jean Ann Bryant; Quilted by: Jean Ann Bryant
- 3091 - 2 - 2; Confetti
Pieced by: Deborah Huebel; Quilted by: Deborah Huebel
- 3091 - 3 - 2; Pinwheel Diamonds
Pieced by: Lille Hays; Quilted by: Lillie Hayes
- 3091 - 4 - 2; Red Stars of the Past
Pieced by: Kathy Ernest; Quilted by: Kathy Ernest
- 3091 - 5 - 2; My Bain
Pieced by: Patricia Cook; Quilted by: Patricia Cook
- 3091 - 6 - 2; Autumn Leaves
Pieced by: Celeste Fritz; Quilted by: Celeste Fritz
- 3091 - 7 - 2; Rainbow Storm at Sea
Pieced by: Jennifer Rowles; Quilted by: Jennifer Rowles
- 3091 - 8 - 2; Mini Churn Dash
Pieced by: Pam Heine; Quilted by: Pam Heine
- 3091 - 9 - 2; Scrappy Triangle Squares
Pieced by: Joan Rondeau; Quilted by: Joan Rondeau
- 3091 - 10 - 2; It's a Circle
Pieced by: Jean Fleming; Quilted by: Denise Green

3092 - Cut-ups Bee

3092 - 1 - 2; Icy Waters

Pieced by: Teresa Beautz; Quilted by: Teresa Beautz

3092 - 2 - 2; Snow Crystals

Pieced by: Barbara Wenker; Quilted by: Barbara Wenker

3092 - 3 - 2; Midnight Sun

Pieced by: Lillie Hays; Quilted by: Lillie Hayes

3092 - 4 - 2; Two Color Bee Challenge

Pieced by: Alice Sadeghpour; Quilted by: Ellen Happy Phillips

3092 - 5 - 2; Flights North & South

Pieced by: Susanne Newland; Quilted by: Lillie Hayes

3092 - 6 - 2; Black & Gold Challenge

Pieced by: Jean Fleming; Quilted by: Jenn Saxena

3092 - 7 - 2; Triangle Fury

Pieced by: Phyllis Rucker; Quilted by: Trish Lopes

3092 - 8 - 2; Red & White Medley

Pieced by: Gloria Ware; Quilted by: Gloria Ware

3092 - 9 - 2; Go Green! Go White!

Pieced by: Celeste Fritz; Quilted by: Jane Plisga

3092 - 10 - 2; Lemoyne Trails

Pieced by: Anne Forrest; Quilted by: Quilter's Cottage

3093 - Boomerang Group (Non-Judged)

3093 - 1 - 2; Boomerang

Pieced by: Laurene Tessmer; Quilted by: Sew 'n Vac

3093 - 2 - 2; Keyboard Boomerang

Pieced by: Lynda Eiche; Quilted by: Jane Plisga

3093 - 3 - 2; Boomerang Group

Pieced by: Alice Busch; Quilted by: Jane Plisga

3093 - 4 - 2; Boo-merang

Pieced by: Sandra Seavey; Quilted by: Brookside Farm Quilts

3093 - 5 - 2; My Blue Boomerang Quilt

Pieced by: Amy Matthias; Quilted by: Amy Matthias

You know you're a quilter if... You take down all the artwork displayed on your walls and put up your quilts and wall hangings.

3093 - 6 - 2; Blue Boomerang
Pieced by: Kathy Bieltz; Quilted by: Kathy Bieltz

3093 - 7 - 2; Aloha Shirt Friday
Pieced by: Marcia Karns; Quilted by: Marcia Karns

310 Mixed Technique

310 - 1 - 2; Garden Medallion
Pieced by: Jean Ann Bryant; Quilted by: Jean Ann Bryant

310 - 2 - 2; Bird Seed
Pieced by: Teresa Beautz; Quilted by: Teresa Beautz

310 - 3 - 2; Pakistani Truck Art
Pieced by: Nasreen Saeedi; Quilted by: Nasreen Saeedi

310 - 4 - 2; Coxcomb
Pieced by: Patricia Cook; Quilted by: Jane Plisga

311 Home Décor/Wearable

311 - 1 - 2; Feathered Snowflakes
Pieced by: Becky Hoffman; Quilted by: Becky Hoffman

311 - 2 - 2; Royal Smocking Dress
Pieced by: Nasreen Saeedi; Quilted by: Nasreen Saeedi

311 - 3 - 2; Twisted Log Cabin Frost
Pieced by: Karen Brauner; Quilted by: Lisa Renfro

312 A Kit/Block of the Month

312 A - 1 - 2; Barns & Hex Signs from Amish Barns
Pieced by: Judy Hendrickson; Quilted by: Jenn Saxena

312 A - 2 - 2; My Diagonal Garden
Pieced by: Judy Hendrickson; Quilted by: Jenn Saxena

312 A - 3 - 2; Quilter's Garden
Pieced by: Judy Hendrickson; Quilted by: Jenn Saxena

312 A - 4 - 2; My Little Summertime Farmhouse
Pieced by: Judy Hendrickson; Quilted by: Lillie Hayes

312 A - 7 - 2; Bohemia
Pieced by: Sharon Lucarelli; Quilted by: Sharon Lucarelli

312 A - 11 - 2; Crescent City Charms
Pieced by: Benedicte Richard; Quilted by: Timothy Nash

312 A - 13 - 2; The Bake Shop
Pieced by: Kris Hoffman; Quilted by: Kris Hoffman

312 A - 17 - 2; Stars of Comfort
Pieced by: Julie Crowell; Quilted by: Julie Crowell

- 312 A - 18 - 2; Uran Owls & Pups
Pieced by: Patricia Cook; Quilted by: Jenn Saxena
- 312 A - 20 - 2; Homecoming
Pieced by: Linda Dutchak; Quilted by: Linda Dutchak
- 312 A - 21 - 2; Chicken Salad
Pieced by: Janet Musgrove; Quilted by: Kris Hoffman

312 B Kit/Block of the Month

- 312 B - 5 - 2; Moonglow Over Houston
Pieced by: Debbie Adami; Quilted by: Jenn Saxena
- 312 B - 6 - 2; Barn Blocks on Point
Pieced by: Debbie Adami; Quilted by: Dena Rosenberg
- 312 B - 8 - 2; Romance
Pieced by: Barbara Wenker; Quilted by: Barbara Wenker
- 312 B - 9 - 2; Dinner Plate Dahlia
Pieced by: Becky Hoffman; Quilted by: Becky Hoffman
- 312 B - 10 - 2; 1930s Farmers Wife
Pieced by: Kendra Lema; Quilted by: Cheryl Degan
- 312 B - 12 - 2; Batik Rhapsody
Pieced by: Tracy Dyer; Quilted by: Barbara Terry
- 312 B - 14 - 2; Floral Menagerie
Pieced by: Lynn Ellis; Quilted by: Kris Hoffman
- 312 B - 15 - 2; Sunshine
Pieced by: Betty Hankinson; Quilted by: Betty Hankinson
- 312 B - 16 - 2; Meadow Weaver
Pieced by: Chris Friesen; Quilted by: Ellen Happy Phillips
- 312 B - 19 - 2; Anemone
Pieced by: Patti Haefele; Quilted by: Denise Green
- 312 B - 22 - 2; Granny's Garden
Pieced by: Janet Musgrove; Quilted by: Kris Hoffman

400 - NON-JUDGED

401 - Display Only - Not Judged - Quilts by Kids

- 401 - 1 - 2; Mixed UP
Pieced by: Lucy Crowell; Quilted by: Julie Crowell

402 Display Only - Any entry not to be judged

- 402 - 1 - 2; Lying In a Bed of Roses
Pieced by: Claudia Duke; Quilted by: Claudia Duke

OUR VALUED VENDORS

Beach Bags by Betty - Winnie, TX
Bits of Glitz - Baytown, TX
Bolts 2 Binding - Spring Branch, TX
Cupcake Quilts - Spring, TX
Designing with Strips 'n Curves -
Montgomery, TX
Designs by Tana - Crowley, TX
Fiskur Leather - Mora, MN
Good With Sugar - Houston, TX
Handmade by Hart - Houston, TX
Hummers Homestead Alpacas -
McDade, TX
Katie B's Quilt Shop - Mont Belview,
TX
Kings Point Retreat - Coldspring, TX
Lakehouse Workshop - Riverside, TX
Linda's Art - Conroe, TX
Loft Supply LLC - The Woodlands,
TX
Material Girls Cloth Doll Club -
Houston, TX
Material Girls Fabrics - Odem, TX
Mystic Angel Creations - San
Antonio, TX
Needleware Designs - Houston, TX
Pelican View Quilting Retreat House
- Galveston, TX
Scissor Guy / Scentsy - Huntsville, TX
Sew Much More Sewing Center -
Vidor, TX
Sew Special Quilts - Katy, TX
Snip and Pins - Spring, TX
Threaded Lines Quilt Shop -
Montgomery, TX
TSC Designs - Houston, TX
Twisted Sisters Quilting - Cypress, TX
Virginia Davies Quilt Mysteries -
Georgetown, TX
Whimsytexas - Houston, TX
You Never Know - Brazoria, TX

OUR TERRIFIC DONORS

These vendors have generously donated door prizes to our show:

Baby Lock
Brookside Farm Quilts
Daylight Company
Free Spirit Fabrics
Glenda Wilder
Hobbs Batting Co.
Jaftex
June Tailor
Katy T-Shirt Quilts
Kimberbell
Magic Quilting & Crafting
Oliso
Riley Blake
Schmetz Needles
Sew Colorful
Sew Tites
Shannon Fabrics
The Mettler Company
Timeless Treasures
Vancoction Simple Salve
Warm Company



WHQG 2023 BOARD OF DIRECTORS

President	Angelique Burnside
First Vice President – Membership	Karen Coffey
Second Vice President – Programs	Sandra (Sam) Seavey
Secretary	Jean Ann Bryant
Treasurer	Julie Crowell
Director of Communications	Amy Matthias
Director of Community Service	Nita Beard
Director of Ways and Means	Alice Busch
Immediate Past President	Lisa Dinkleman
Parliamentarian	

COMMITTEE CHAIRMEN

Beekeeper	Marcia Karns
Charitable Projects	Nita Beard and Connie Bihner
Current Programs & Workshops	Sandra (Sam) Seavey
Disaster Quilts	
Keeper of the 2023 Quilt	Nita Beard and Connie Bihner
Future Programs & Workshops	
Internal Fundraising	
Magazines	
Membership	Karen Coffey
Newsletter	Sandra (Sam) Seavey
2023 Quilt Show	Nita Beard
Retreats	
Visitor Welcome	
Web site	Amy Mathias

You know you are quilter when you sit down at your sewing machine to quilt and know instant joy and happiness.



QUILT SHOW COMMITTEE

Chairman	Nita Beard
Admission/Tickets	Celeste McLaughlin
Awards/Ribbons	Becky Hoffman
Basket Bonanza	Jean Ann Bryant and Karen Coffey
Boutique	Connie Bihner and June Jaronitzky
Door Prizes/Donations	Sandra Seavey and Amy Matthias
Entries	Celeste Fritz and Kris Hoffman
Grandmother's Attic	Gail Snyder and Nancye Thibodeau
Judging	Debbie Adami and Patricia Cook
Layout/Floor Plan	Ellen Norton and Annette Hawley
Legacy Ribbon Awards	Jean Fleming
Program	Patricia Cook
Publicity	Carol Ann Maurer
Set-up/Take Down	Betty Hankinson and Sharon Lucarelli
Signage	Celeste Fritz
Treasurer	Julie Crowell
Vendors	Kathy Bieltz
Volunteers	Gloria Ware and Lillie Hayes

**The West Houston Quilter's Guild would like to
THANK YOU for visiting our biennial show!**

Thank you for your support,
and we hope to see you in 2025!