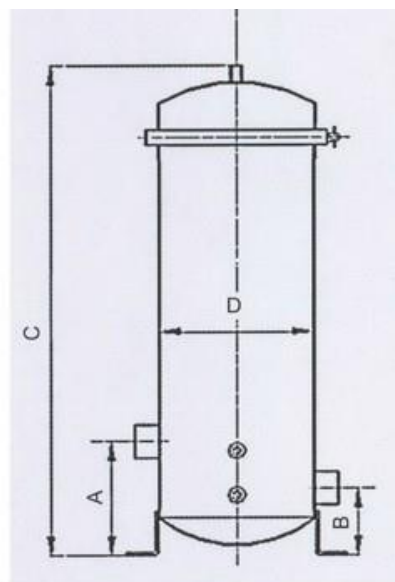


Avanale Stainless Cluster & Bag Filters

Stainless Steel Multi-cartridge Filter Housings

V-Clamp Series Filter Housings

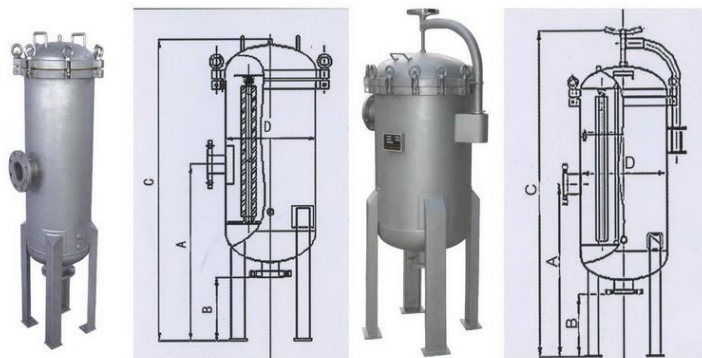
- Accepts SOE Flat Closed End, SOE Fin Closed End or DOE Style Filter Cartridges.
- Accepts 10", 20", 30" and 40" cartridges for the various flow rates
- V-Clamp Closure Allows Quick, Easy Cartridge Change out.
- 304 or 316L Stainless Steel Materials of construction for maximum corrosion resistance.
- Matt finishing (Standard), Electropolishing is optional.
- Shell-O-Ring: EPDM (Standard), Viton, Teflon Encapsulated Viton
- Maximum working pressure: 150PSI.
- Working temperature: 4-60°C
- Vent/Drain: 1/4"NPT / 3/4"NPT



Product Code	Dimension (mm)				Connection Inlet/Outlet	Cartridges	
	A	B	C	D		Nos	Inch
SFT3-10-VCP	165	90	450	160	1"	3	10"
SFT3-20-VCP	165	90	750	160	1"	3	20"
SFT5-10-VCP	190	105	470	200	1"	5	10"
SFT5-20-VCP	190	105	780	200	1 1/2"	5	20"
SFT5-30-VCP	210	120	1050	200	2"	5	30"
SFT5-40-VCP	210	120	1210	200	2"	5	40"
SFT7-20-VCP	190	105	780	230	1 1/2"	7	20"
SFT7-30-VCP	210	120	1050	230	2"	7	30"
SFT7-40-VCP	230	120	1210	230	2"	7	40"
SFT12-30-VCP	240	140	1050	300	2"	12	30"
SFT12-40-VCP	240	140	1300	300	2"	12	40"

Flange BT Series Side Entry Filter Housings
– eye bolt style head clamp

- Flow Type: Side-in Bottom-out
- Accepts SOE Flat Closed End, SOE Fin Closed End or DOE Style Filter Cartridges.
- Eye-Blot Flange Allows Quick, Easy Cartridge Change out.
- Lifting Davit available on large configurations
- 304 or 316L Stainless Steel Materials of construction for maximum corrosion resistance.
- Matt finishing (Standard), Electropolishing is optional.
- Shell-O-Ring: EPDM (Standard), Viton, Teflon Encapsulated Viton
- Maximum working pressure: 150PSI.
- Working temperature: 4-60°C



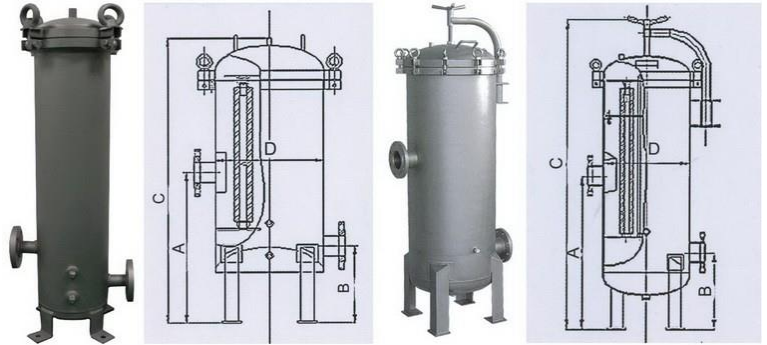
SFT20-40-FLG-BT

FT25-40-FLG-BT

Product Code	Dimension (mm)				Connection Inlet/Outlet	Cartridges		Flow M3/H
	A	B	C	D		Nos	Inch	
SFT5-20-FLG-BT	600	200	1100	200	1 1/2"	5	20"	4
SFT5-30-FLG-BT	600	250	1350	200	2"	5	30"	6
SFT7-20-FLG-BT	600	200	1100	230	1 1/2"	7	20"	5.6
SFT7-30-FLG-BT	600	250	1350	230	2"	7	30"	7.4
SFT12-20-FLG-BT	600	250	1200	300	2"	12	20"	9.6
SFT12-30-FLG-BT	600	250	1400	300	2"	12	30"	14.4
SFT12-40-FLG-BT	800	300	1650	300	2 1/2"	12	40"	18
SFT15-30-FLG-BT	800	300	1500	350	2 1/2"	15	30"	18
SFT15-40-FLG-BT	800	300	1700	350	3"	15	40"	22.5
SFT20-30-FLG-BT	800	300	1550	400	3"	20	30"	24
SFT20-40-FLG-BT	800	300	1750	400	3"	20	40"	30
SFT25-40-FLG-BT	900	300	1850	450	3"	25	40"	32
SFT30-40-FLG-BT	900	350	1900	500	4"	30	40"	40
SFT40-40-FLG-BT	1000	350	2050	550	4"	40	40"	52
SFT45-40-FLG-BT	1000	400	2200	600	5"	45	40"	59
SFT50-40-FLG-BT	1200	500	2200	700	5"	50	40"	65
SFT60-40-FLG-BT	1200	450	2200	700	6"	60	40"	78
SFT70-40-FLG-BT	1400	450	2300	800	6"	70	40"	90
SFT80-40-FLG-BT	1400	450	2300	800	6"	80	40"	105
SFT90-40-FLG-BT	1400	550	2500	900	8"	90	40"	120
SFT100-40-FLG-BT	1400	550	2750	1000	8"	100	40"	135
SFT120-40-FLG-BT	1400	550	2750	1000	8"	120	40"	160

Flange SD Series Side Entry Filter Housings

- Flow Type: Side-in Side-out
- Accepts SOE Flat Closed End, SOE Fin Closed End or DOE Style Filter Cartridges.
- Eye-Blot Flange Allows Quick, Easy Cartridge Change out.
- Lifting Davit available on large configurations
- 304 or 316L Stainless Steel Materials of construction for maximum corrosion resistance.
- Matt finishing (Standard), Electropolishing is optional.
- Shell-O-Ring: EPDM (Standard), Viton, Teflon Encapsulated Viton
- Maximum working pressure: 150PSI.
- Working temperature: 4-60°C



SFT20-40-FLG-SD

SFT25-40-FLG-SD

Product Code	Dimension (mm)				Connection	Cartridges		Flow
	A	B	C	D	Inlet/Outlet	Nos	Inch	M3/H
SFT5-20-FLG-SD	450	220	1000	200	1 1/2"	5	20"	4
SFT5-30-FLG-SD	500	250	1200	200	2"	5	30"	6
SFT7-20-FLG-SD	450	220	1000	230	1 1/2"	7	20"	5.6
SFT7-30-FLG-SD	500	250	1200	230	2"	7	30"	7.4
SFT12-20-FLG-SD	600	250	1050	300	2"	12	20"	9.6
SFT12-30-FLG-SD	600	300	1300	300	2"	12	30"	14.4
SFT12-40-FLG-SD	600	300	1600	300	2 1/2"	12	40"	18
SFT15-30-FLG-SD	600	300	1400	350	2 1/2"	15	30"	18
SFT15-40-FLG-SD	600	300	1600	350	3"	15	40"	22.5
SFT20-30-FLG-SD	800	350	1450	400	3"	20	30"	24
SFT20-40-FLG-SD	800	350	1650	400	3"	20	40"	30
SFT25-40-FLG-SD	800	400	1750	450	3"	25	40"	32
SFT30-40-FLG-SD	800	400	1800	500	4"	30	40"	40
SFT40-40-FLG-SD	1000	400	1950	550	4"	40	40"	52
SFT45-40-FLG-SD	1000	500	2160	600	5"	45	40"	59
SFT50-40-FLG-SD	1000	500	2200	700	5"	50	40"	65
SFT60-40-FLG-SD	1000	500	2200	700	6"	60	40"	78
SFT70-40-FLG-SD	1200	600	2200	800	6"	70	40"	90
SFT80-40-FLG-SD	1200	600	2200	800	6"	80	40"	105
SFT90-40-FLG-SD	1200	650	2400	900	8"	90	40"	120
SFT100-40-FLG-SD	1200	700	2650	1000	8"	100	40"	135
SFT120-40-FLG-SD	1200	700	2650	1000	8"	120	40"	160

Stainless Steel Bag Filter Housings

Bag Filter:

- Polypropylene materials. High Precision Filtering
- Large flow & small pressure difference, Low pressure drop ,High chemical resistance |
- High capacity of removing stain and long performance life

Product Code	Bag Code	Size (Inch)	Size (mm)	Micron(μm)
BF-0717	1	7X17	180*420	5
BF-0732	2	7X32	180*810	5
BF-0409	3	4X9	100*230	5
BF-0415	4	4X15	102*380	5



Single-Bag Filter Housings

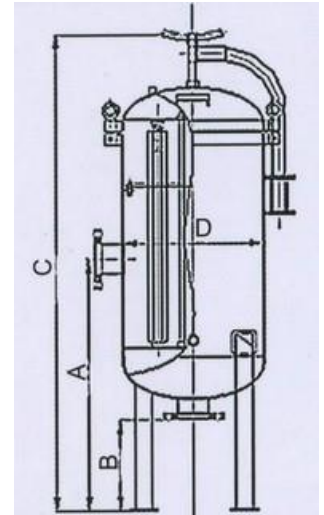
- Side inlet piping connection
- Sizes for #01 single or #02 double-length filter bags
- Unique two-weld design
- Buna N seals standard
- Electro polishing stainless steel perforated basket
- Matt finishing housing (standard delivery)
- 1" , 1 1/2" and 2" GB or ANSI or DIN or JIS flanged connections
- Maximum operating pressure of 150PSI
- Maximum operating temperature 150°C
- Evacuation cover with swing bolts
- Adjustable mounting legs
- Type 304, 316 stainless steel construction



Filter Type		BFHV				BFH				BFHD	
Flow Type		Side-entry, V-clamp				Side-entry, Eye-bolt Flange				Side-in, Top-enter	
Model		3-1	4-1	1-1	2-1	3-1	4-1	1-1	2-1	1-1	2-1
Max Working Pressure (Bar)		6	6	6	6	10	10	10	10	10	10
Max operating Temperature		60 °C	60 °C	60 °C	60 °C	80 °C	80 °C	80 °C	80 °C	80 °C	80 °C
Max Flux (m ³)		5	10	20	40	5	10	20	40	20	40
Filtration Surface(m ²)		0.05	0.09	0.19	0.41	0.05	0.09	0.19	0.41	0.19	0.41
Bag Filter Code		3	4	1	2	3	4	1	2	1	2
Bag Filter Quantity		1	1	1	1	1	1	1	1	1	1
Connection Size		1"	1"	1 1/2"	2"	1"	1"	1 1/2"	2"	2"	2"
Connection Type		Threaded	Threaded	Threaded	Flange	Threaded	Threaded	Flange	Flange	Flange	Flange
Size (mm)	A	270	430	480	900	270	430	500	900	400	800
	B	100	100	130	180	100	100	180	180	280	280
	C	400	560	580	1000	400	560	660	1050	600	1000

MORE-BAG SD Series Filter Housing

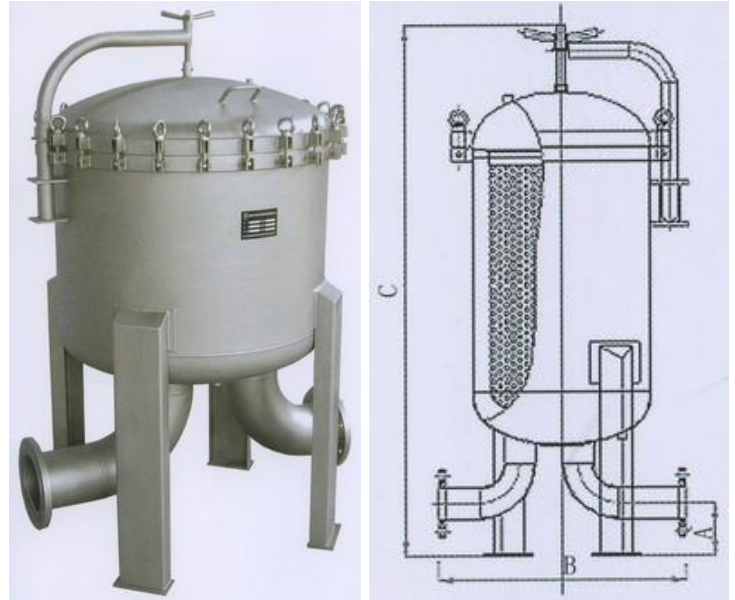
- Flow type: Side-in, bottom-out
- Value Added Features
- Side inlet piping connection
- Sizes for #01 single or #02 double-length filter bags |
- Unique two-weld design |
- Buna N seals standard
- Electro polishing stainless steel basket
- Matt finishing housing (standard delivery)
- 4" DIN or HG or ANSI or JIS flanged connections (for 4 bags)
- Maximum operating pressure of 10 bar
- Maximum operating temperature 120°C
- Evacuation cover with swing bolts
- Fixed mounting legs
- Type 304, 316 stainless steel construction



Product Code	Dimension (mm)			Max Pre. Bar	Max Temp.	Bag Filters		Connection Inlet/Outlet	Max Flow M3/H
	A	B	C			Code	Nos		
BFH2-3-SD	1050	300	1500	10	60 'C	2	3	4"	120
BFH2-4-SD	1050	300	1550	10	60 -C	2	4	5"	160
BFH2-5-SD	1050	300	1550	10	60 'C	2	5	6"	200
BFH2-6-SD	1100	350	1620	10	60 'C	2	6	6"	240
BFH2-8-SD	1100	350	1700	10	60 'C	2	8	6"	320
BFH2-10-SD	1200	450	1860	10	60 'C	2	10	8"	400
BFH2-12-SD	1200	450	1860	10	60 'C	2	12	10"	480
BFH2-14-SD	1400	450	1900	10	60 'C	2	14	10"	560
BFH2-16-SD	1400	600	1900	10	60 'C	2	16	12"	640
BFH2-18-SD	1400	600	2250	10	60 -C	2	18	12"	720
BFH2-20-SD	1400	600	2250	10	60 °C	2	20	12"	800

MORE-BAG BT Series Filter Housing

- Flow type: Bottom-in, bottom-out
- Value Added Features|
- Side inlet piping connection
- Sizes for #01 single or #02 double-length filter bags
- Unique two-weld design
- Buna N seals standard
- Electro polishing stainless steel basket
- Matt finishing housing (standard delivery)
- 4" DIN or HG or ANSI or JIS flanged connections (for 4 bags)
- Maximum operating pressure of 10 bar
- Maximum operating temperature 120°C
- Evacuation cover with swing bolts
- Fixed mounting legs
- Type 304, 316 stainless steel construction



Product Code	Dimension (mm)			Max Pre. Bar	Max Temp.	Bag Filters		Connection Inlet/Outlet	Max Flow M3/H
	A	B	C			Code	Nos		
BFH2-3-BT	180	706	1500	10	60 'C	2	3	4"	120
BFH2-4-BT	200	756	1550	10	60 -C	2	4	5"	160
BFH2-5-BT	200	806	1550	10	60 'C	2	5	6"	200
BFH2-6-BT	220	906	1620	10	60 'C	2	6	6"	240
BFH2-8-BT	220	1106	1700	10	60 'C	2	8	6"	320
BFH2-10-BT	250	1110	1860	10	60 'C	2	10	8"	400
BFH2-12-BT	280	1210	1860	10	60 'C	2	12	10"	480
BFH2-14-BT	280	1410	1900	10	60 'C	2	14	10"	560
BFH2-16-BT	300	1510	1900	10	60 'C	2	16	12"	640
BFH2-18-BT	300	1610	2250	10	60 -C	2	18	12"	720
BFH2-20-BT	300	1610	2250	10	60 °C	2	20	12"	800